

MC55 High S Beacon 24V RM



Part No.:	240.620.00
Series:	MC55



MECHANICAL DATA

Height	111 mm
Diameter	55 mm
Materials	PC
Dome colour	White
Housing colour	Black
Protection category	IP65 IP69K
Connection	M12 socket 5-pole
Type of fixing	Base mounting Tube mounting
Working temperature minimum	-20°C
Working temperature maximum	+50°C
Weight with packaging	125 g
Product weight	96 g
IK-Code (IEC 62262)	IK06

ELECTRICAL DATA

Operating voltage	24V
Operating voltage type	DC
Operating voltage tolerance	+/- 10%
Rated operational voltage	24 VDC
Rated operational current	60 mA
Continuous output current	200mA
Rated inrush current	660 mA
Protection class	Protection class 3
Pollution degree	3 In the connection area: 2
Overvoltage category	I
insulation voltage	Ui = 50V / Uimp = 330V

OPTICAL DATA

Light source	LED
Light colour	MC >1.000.000 colours
Optical signal image	multi function
Blink frequency	Configurable
Service life optical	50,000 h maximum

APPROVAL DATA

Conforms with CE	Yes
Conforms with RoHS directive	Yes

! For additional installation and mounting information, refer to the appropriate user guide at www.werma.com. This printed copy is for information only and is subject to alteration.

MC55 High S Beacon 24V RM

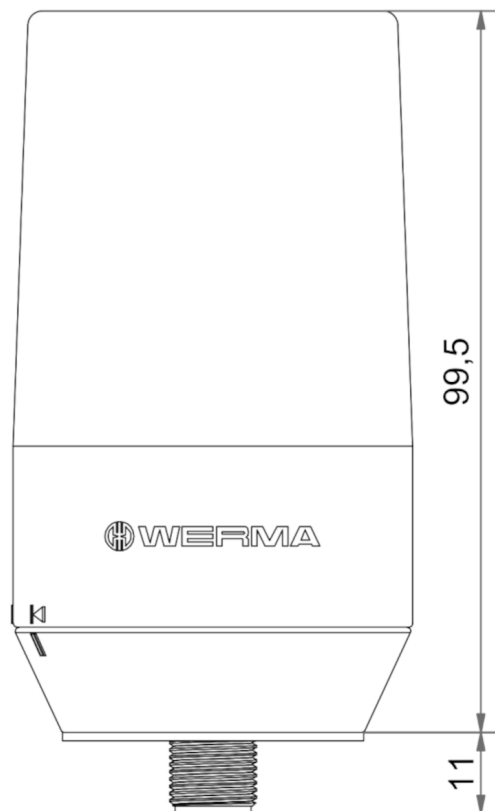
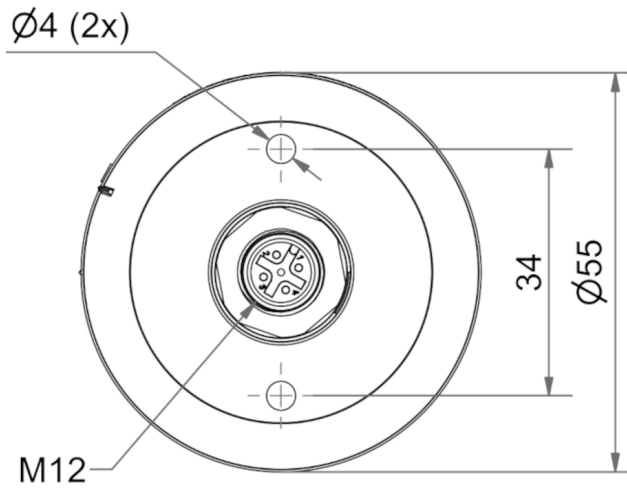
WEEE	Yes
Conforms with RED directive	No
Conforms with ATEX-directive	No
Conforms with CCC-Ex	No
Conforms with CCC	No
Conforms with UL	cULus
UL Type Rating	Type 4X
Conforms with FCC	No
Conforms with ISED	No
EAC certificate available	No
Conforms with UKCA (Importer)	Yes (WERMA (UK) Ltd.)
Conforms with CMIM	No
Conforms with AS-I	No
ICAO Certification	No
Conforms with DNV	No
Conforms with RoHS CN	25 years
Conforms with VdS	No
MTTFd-value [years]	344



For additional installation and mounting information, refer to the appropriate user guide at www.werma.com. This printed copy is for information only and is subject to alteration.

MC55 High S Beacon 24V RM

DRAWING



! For additional installation and mounting information, refer to the appropriate user guide at www.werma.com. This printed copy is for information only and is subject to alteration.