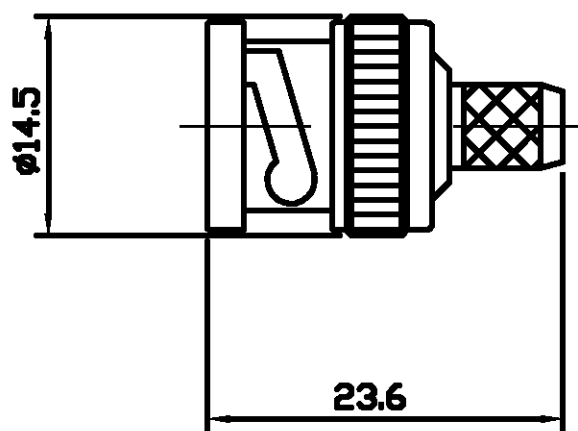


THIS DRAWING IS UNPUBLISHED. RELEASED FOR PUBLICATION 7-9-00 .  
 © COPYRIGHT 2000 BY TYCO ELECTRONICS CORPORATION. ALL RIGHTS RESERVED.

LOC	DIST	REVISIONS			
P	LTR	DESCRIPTION	DATE	DWN	APVD
E	B	B	EB00 - 0304 - 01	21-9-01	RG FWK



△ SUPPLIED SEMI-ASSEMBLED (PACK CONTAINS LOOSE PIECES)  
 VIEW SHOWS ASSEMBLED CONNECTOR (CABLE OMITTED)  
 FOR CABLE TO CONNECTOR ASSEMBLY GUIDANCE  
 REFER TO TYCO INSTRUCTION SHEET I.S 411 - 3247

ALL DIMENSIONS ARE NOMINAL. FOR REFERENCE ONLY.

DIE SET PART NUMBER	9-1478242-0
HANDTOOL PART NUMBER	9-1478240-0
FOR USE ON CABLES	RG58C/U, 141A/U, URM43, 76
CONNECTOR PLATING DETAIL	SILVER
CONTACT PLATING DETAIL	SILVER
DIELECTRIC MATERIAL	TEFLON
GASKET MATERIAL	WHITE SILICONE RUBBER

THIS DRAWING IS A CONTROLLED DOCUMENT.

DIMENSIONS: MM	TOLERANCES UNLESS OTHERWISE SPECIFIED:
	0 PLC ±
	1 PLC ±
	2 PLC ±
	3 PLC ±
	4 PLC ±
	ANGLES ±
MATERIAL	FINISH
	-

DWN	R.SMITH	07-SEP-00
CHK	R.GOODALL	07-SEP-00
APVD	R.GOODALL	07-SEP-00
PRODUCT SPEC	108-3435	
APPLICATION SPEC	CUSTOMER DRAWING	

Tyco Electronics Corporation Stanmore, Middlesex, HA7 4RS		NAME		BNC STRAIGHT PLUG CRIMP 50 Ohm	
SIZE	CAGE CODE	DRAWING NO	RESTRICTED TO		
A3	00779	C-1337427	-		
SCALE		NTS	SHEET	1 OF 1	REV
					B

TRAY	100 ITEMS PER TRAY	6-1337427-0
BAG	SINGLE ITEM	1-1337427-0
PACK TYPE	DESCRIPTION	PART NUMBER