

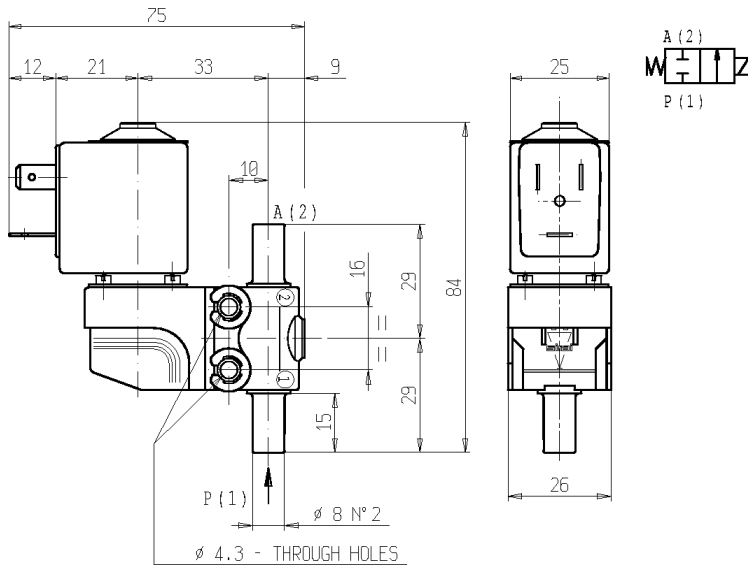


D118

2/2 – DRY - MICRO SOLENOID VALVE - Normally closed (N.C.)

Series D118 - Coil Z610A - Slip-on

ISO 9001



FEATURES - Direct acting, total separation between the actuator and medium which remains in contact only with the valve body and the lever-seal. Designed to shut off liquid and gaseous media compatible with valve materials. Possibility of disassembling for inspection. The parts subject to sliding friction are duly coated by PTFE (Polytetrafluorethylene) based self lubricating material.

MOUNTING - In any position, vertical with coil upwards preferred.

VALVE - Moulded body in PEI (Polyetherimide). Lever seal in elastomer as per table. Medium temperature from -10°C to +100°C. Viscosity max 5 E° (~37 cStokes or mm²/s). Opening time ~25ms. Closing time ~25ms.

COIL - Rated for continuous duty in AC (alternate current) or DC (direct current). Coil in class "F" (+155°C) wound by class "H" wires (+180°C) vacuum impregnated by polyester resin and encapsulated into glass fibre reinforced PBT (polybutylene-terephthalate).

Ambient temperature from -10°C to +60°C.

Standard voltages 24-110-220-230V/50-60Hz AC and 12-24V DC.

Voltage tolerance +10% -15% AC and +10% -5% DC.

Electric plug connection (DIN 46340) or suitable for 3 poles connectors.

Protection degree IP65 as per EN 60529 if the coil is duly fitted with its plug connector.

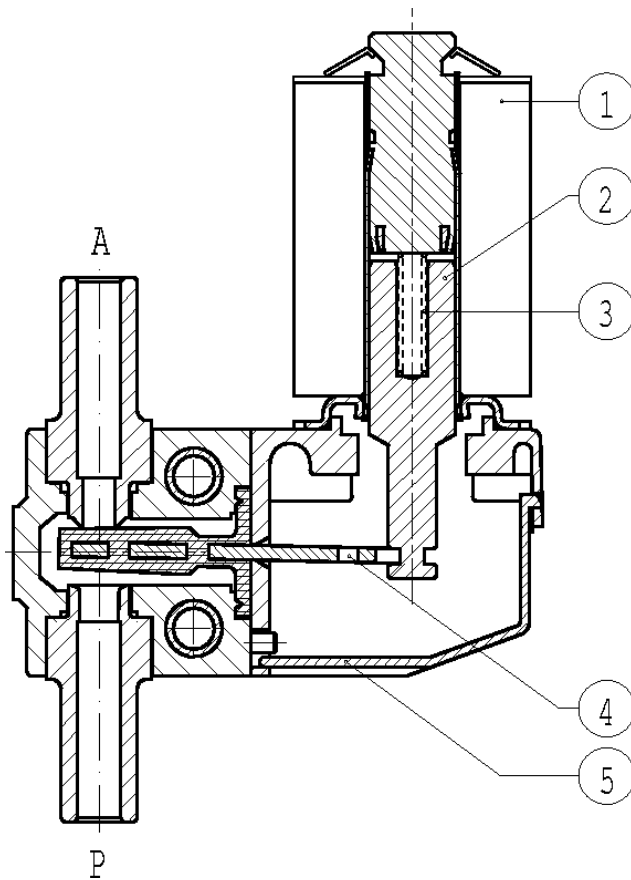
| Port size | Orifice size (mm) | Max pressure (bar) | | | | Kv (m³/h) | Series and type | | Power absorption | | | Seals | Notes | Weight (kg) |
|-----------|-------------------|--------------------|----|---------|----|-----------|-----------------|-------|------------------|---------|--------|-------|-------|-------------|
| | | Gases | | Liquids | | | Valve | Coil | AC (VA) | | DC (W) | | | |
| | | AC | DC | AC | DC | | | | Inrush | Holding | | | | |
| Slip-on | 2,7 | 10 | | 10 | | 0,23 | D118D03 | Z610A | 16 | 10 | 6 | EPDM | - | 0,150 |
| | | 5 | 5 | 5 | 5 | | D118S03 | | | | | | | |
| | | 10 | | 10 | | | D118V03 | | | | | | | |
| | 3,4 | 6 | | 6 | | 0,30 | D118D03 | | | | | | | |
| | | 3 | 3 | 3 | 3 | | D118S03 | | | | | | | |
| | | 6 | | 6 | | | D118V03 | | | | | | | |

NOTES - Seal: EPDM = Ethylene-propylene elastomer VMQ = Silicone elastomer FPM = Fluoro-carbon elastomer
 - Other voltages and frequencies on request .

0104/0111

SPARE PARTS

Series D118



| Kit description | | Kit P.N. | Consisting of: |
|-----------------|----------------------------------|-------------------------------|--|
| Core kit | D118-D-S-V-03 | G3049641 | Core pos. 2 Core return spring pos. 3 |
| Lever-seal | D118-D03 D118-S03 D118-V03 | 2815201 2815202 2815203 | Lever-seal pos. 4 |
| Cover | | 2883901 | Cover pos. 5 |
| Coil Z610A | | | Coil pos. 1 |

NB - THE VALIDITY OF REPORTED DATA IS REFERRED TO THE DATE OF ISSUE. POSSIBLE UPDATING ARE AVAILABLE ON REQUEST