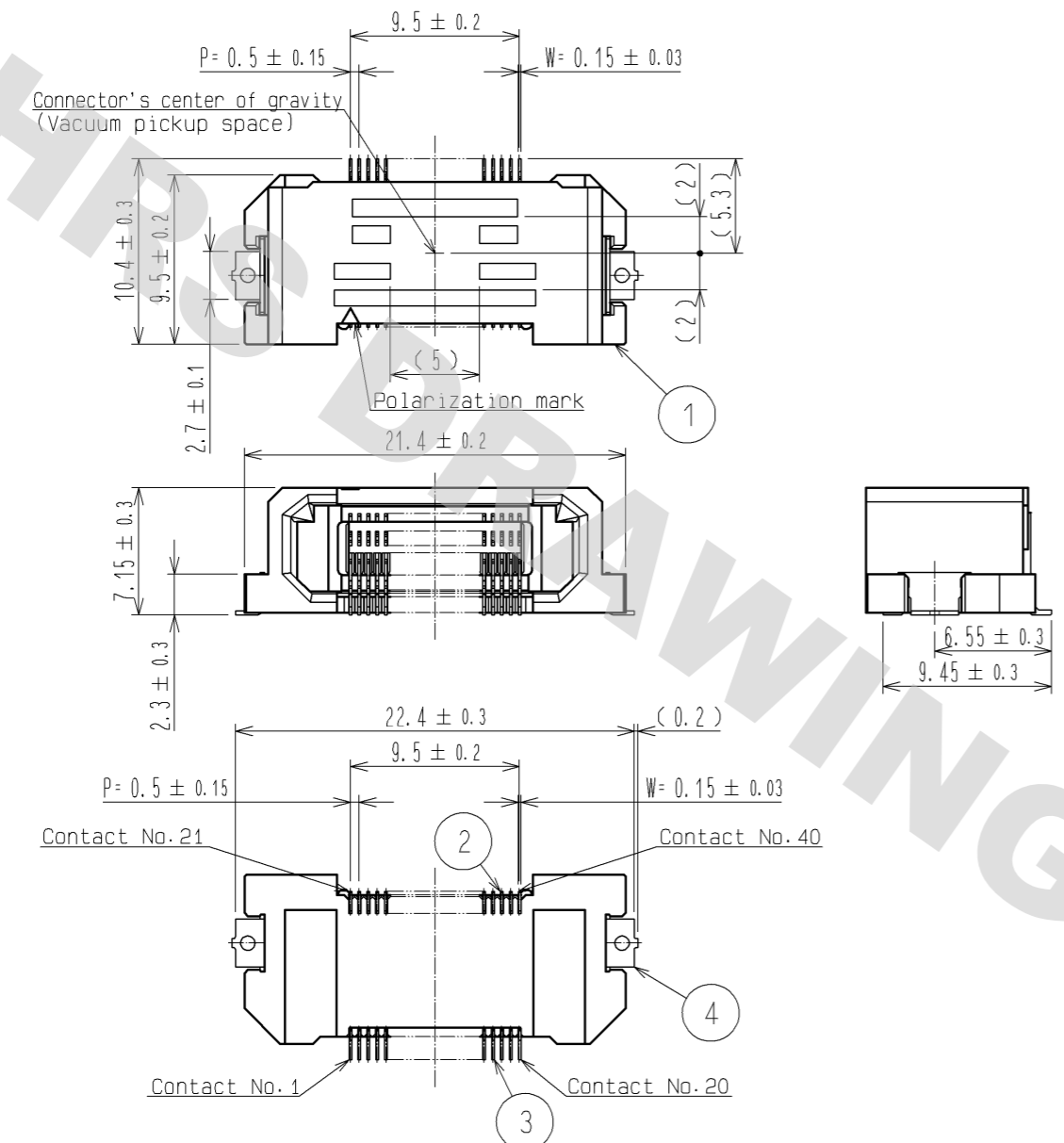


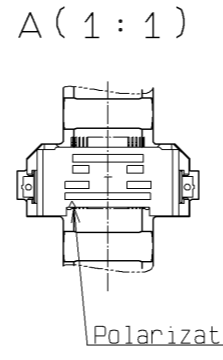
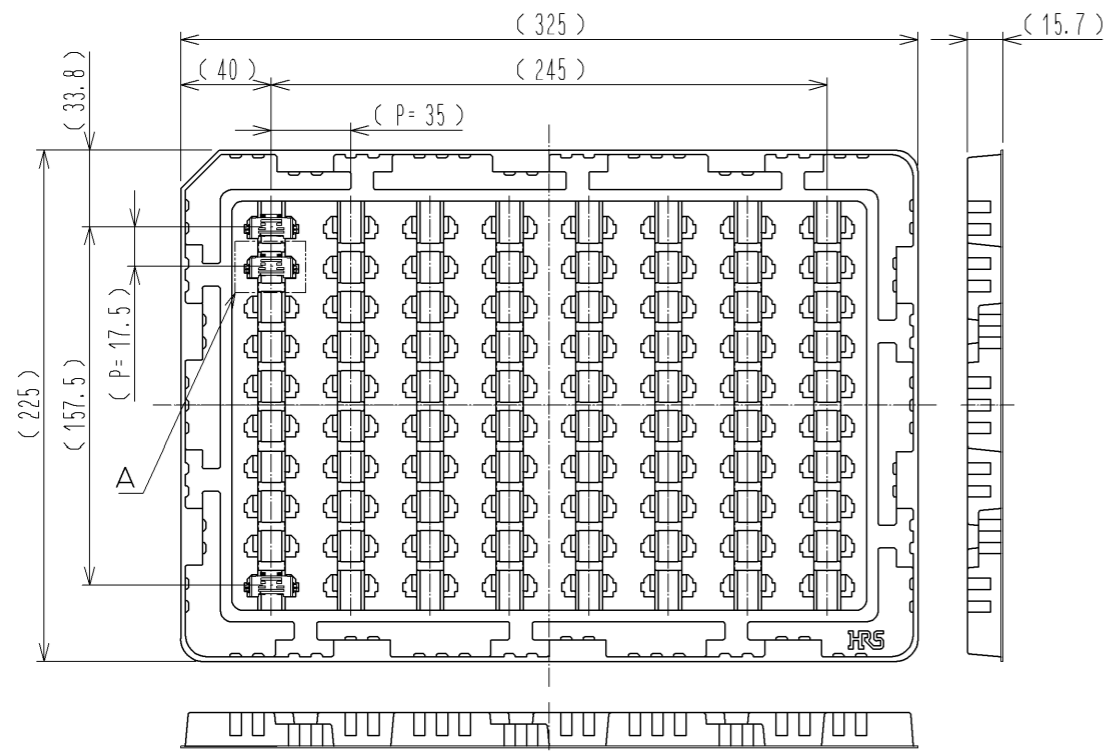
DRAWING FOR REFERENCE: This is subject to change without notice  
12/05/2013

1 2 3 4 5 6 7 8

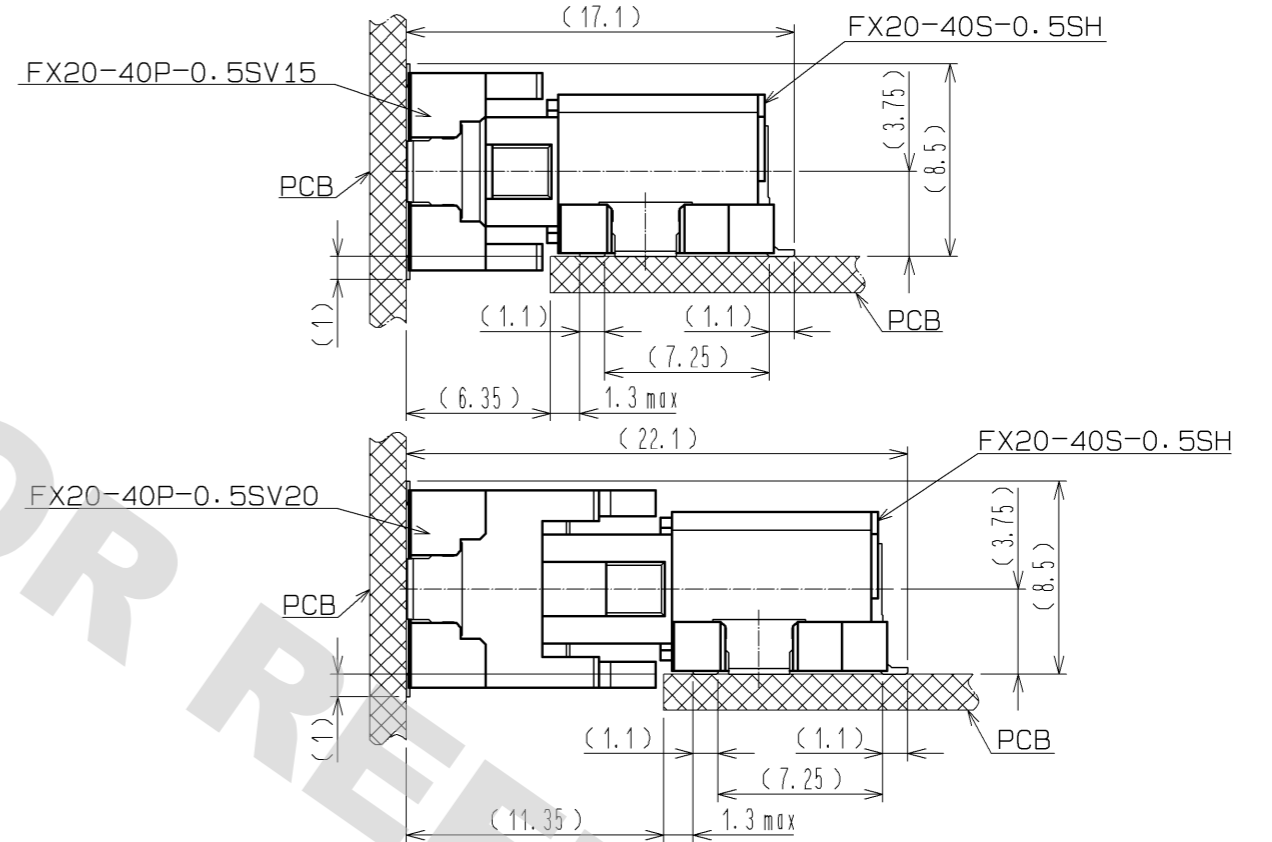
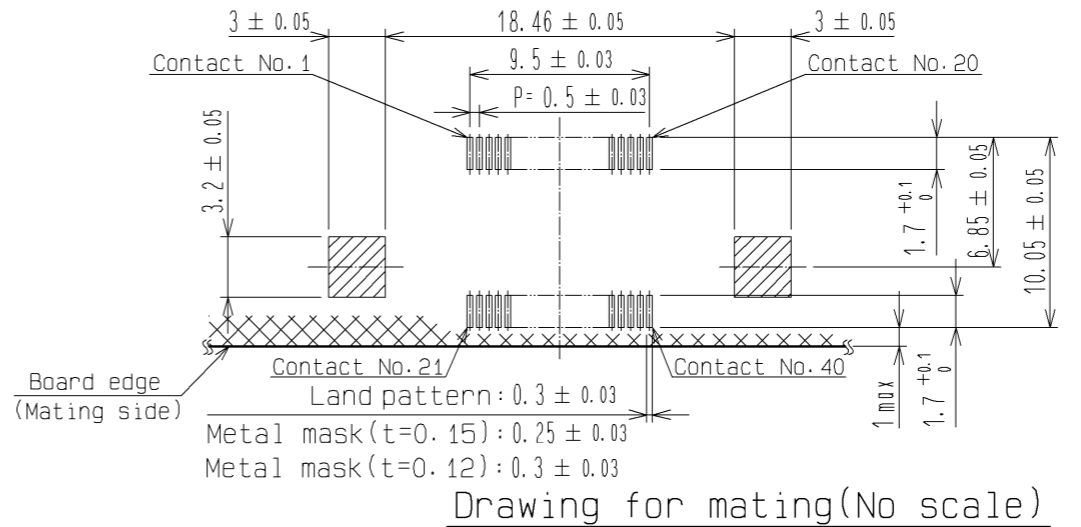
A  
B  
C  
D  
E  
F



2 Drawing for packing (No scale)



5 Recommended land pattern dimension of PCB



- Lead CO-Planarity is 0.1mm MAX.
- This is packaged in tray. (80pcs/tray)
- Blemish and hit mark can be occurred through out the manufacturing process which doesn't affect quality level.
- Please note that excessive wrenching force could damage this connector. Please refer to the guideline for detailed regulations of the mating method.
- No prohibited area for printing pattern or via hole. PCB resist can be printed optionally.
- The dimensions in parentheses are for references.

1	LCP	BLACK UL94V-0	4	BRASS	TIN-PLATING $1 \mu\text{m}$		
			2.3	PHOSPHOR BRONZE	CONTACT AREA: GOLD $0.1 \mu\text{m}$		
					LEAD AREA: GOLD $0.03 \mu\text{m}$		
					UNDER PLATING: NICKEL $1 \mu\text{m}$		
NO.	MATERIAL	FINISH . REMARKS	NO.	MATERIAL	FINISH . REMARKS		
UNITS		SCALE	COUNT	DESCRIPTION OF REVISIONS	DESIGNED	CHECKED	DATE
mm		2 : 1					
HRS		HIROSE ELECTRIC CO., LTD.	APPROVED : HS. OKAWA	13.09.25	DRAWING NO. EDC3-348426-00		
			CHECKED : KI. HIROKAWA	13.09.25	PART NO. FX20-40S-0.5SH		
			DESIGNED : TS. OONO	13.09.25	CODE NO. CL570-1601-8-00		
			DRAWN : TS. OONO	13.09.25			