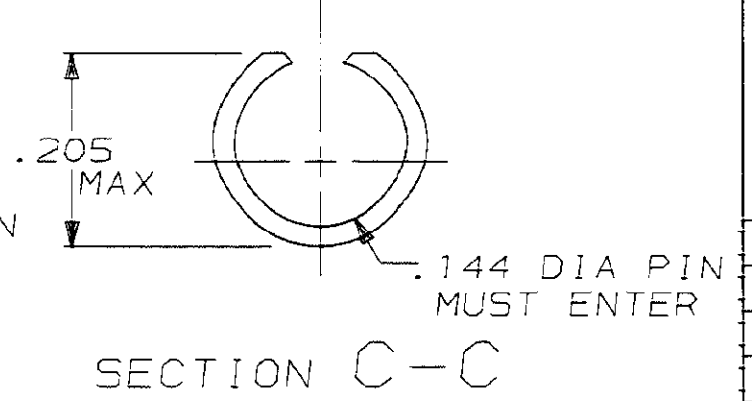
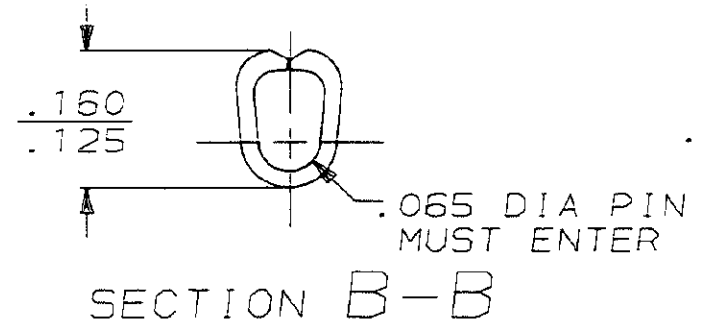
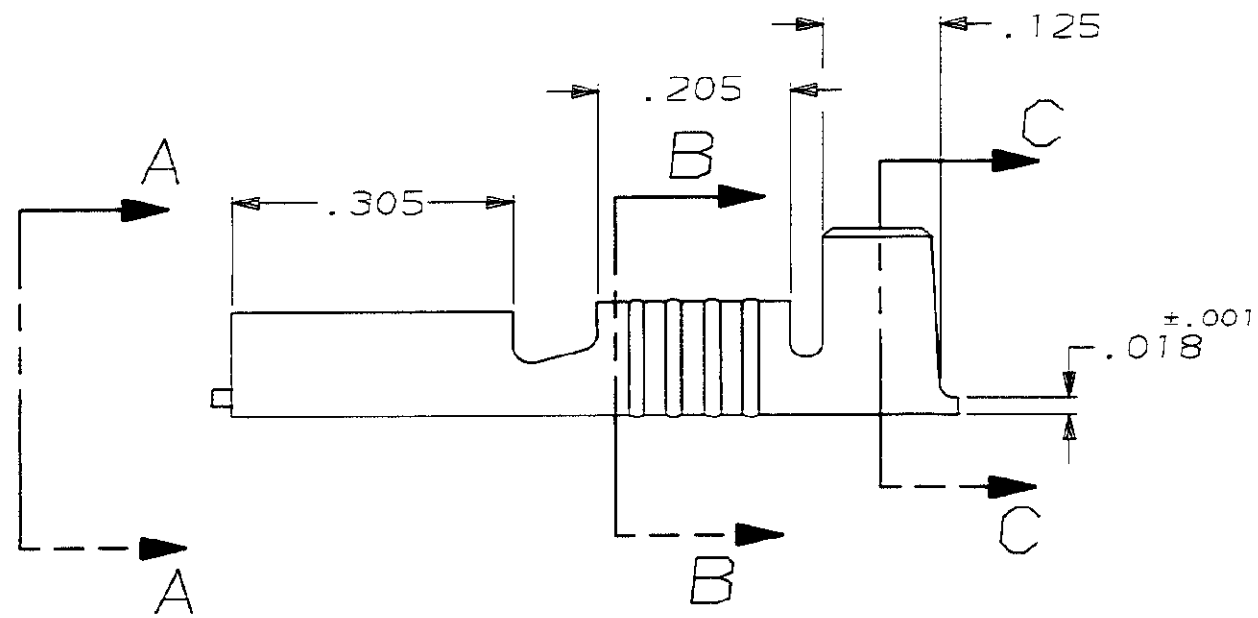
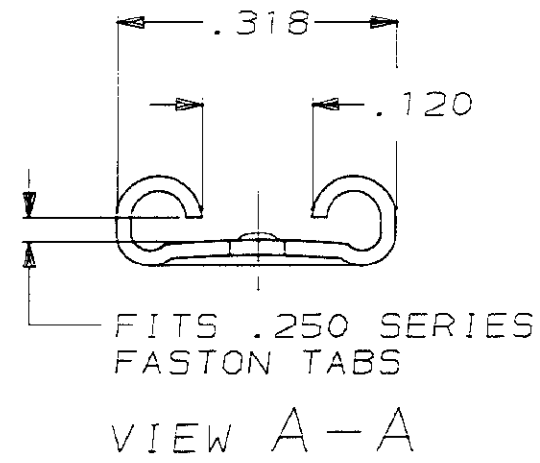
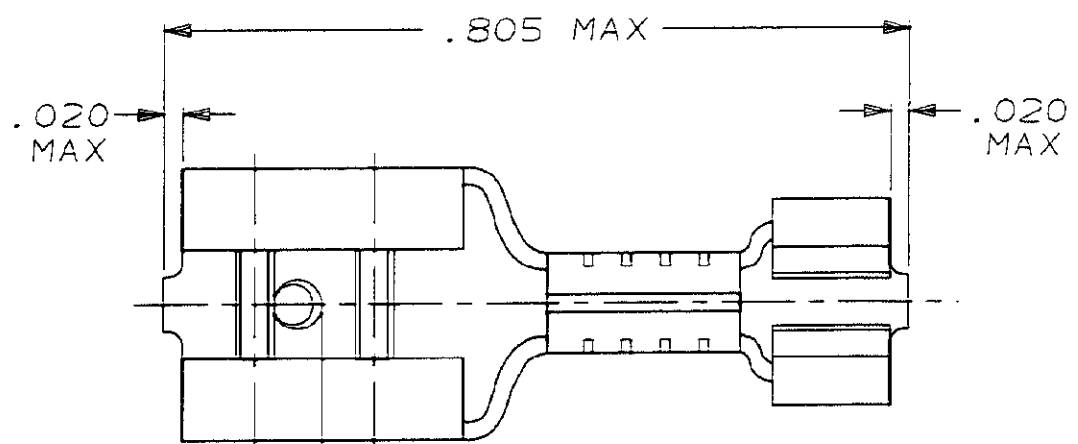


THIS DRAWING IS UNPUBLISHED. RELEASED FOR PUBLICATION .19
 © COPYRIGHT 19 BY AMP INCORPORATED. ALL INTERNATIONAL RIGHTS RESERVED.

LOC	DIST	P	F	ZONE	LTR	REVISIONS	DATE	APPD
AF	50				E	REDRAWN AF-7182	2/13/91	JR/PF

- 1 SUPPLIED IN LOOSE PIECE
- 2 SILVER PLATED .000150 MIN THK.
- 3 TIN PLATED .000080 MIN THK.
- 4 FOREIGN PRODUCTION ONLY.



INSULATION RANGE	WIRE SIZE	FINISH	MATERIAL	MATING TAB THK ±.001	PART NO
.120-.145 DIA	18-16 AWG	TIN 3	#4H BRASS	.032	42025-4
			#4H BRASS		42025-3
		SILVER 2	T3 PHOS BRZ.		42025-2
		TIN 3	T3 PHOS BRZ.		42025-1
			T3 PHOS BRZ.		42025

DO NOT SCALE PRINT. UNLESS SPECIFIED DIMENSIONS ARE IN INCHES
 TOLERANCES ON:
 2 PLC DEC ± -
 3 PLC DEC ± .015
 ANGLES ± -

MATERIAL SEE TABLE
 FINISH SEE TABLE

DR 2/13/91 JR RUTH
 CHK 2/13/91 P FORTNEY
 APPD 2/13/91 C MEYERS
 APPD 2/13/91 D REINER
 PRODUCT SPEC -
 APPLICATION SPEC -
 WEIGHT -

AMP AMP Incorporated
 Harrisburg, PA 17105-3608

NAME RECEPTACLE, FASTON, .250 SERIES

SIZE B	CAGE CODE 00779	DRAWING NO 42025
SCALE 5:1	SHEET 1 OF 1	