

**SPECIFICATION SHEET**



FM/1 QRTu - 24 hour dial

**FM/1 QRTuXX / FM/1 QRWuXX  
time switch module**

**PRODUCT/ORDER CODE**

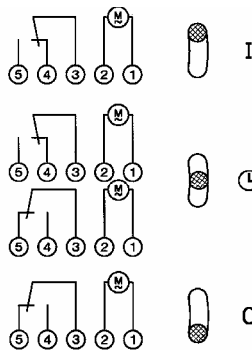
FM/1 QRTu	24 hour dial only
FM/1 QRTuH	24 hour dial + override
FM/1 QRTuZ	24 hour dial + clock hands
FM/1 QRTuZH	24 hour dial + clock hands + override

FM/1 QRWuXX 7 day dial variant – options as above.

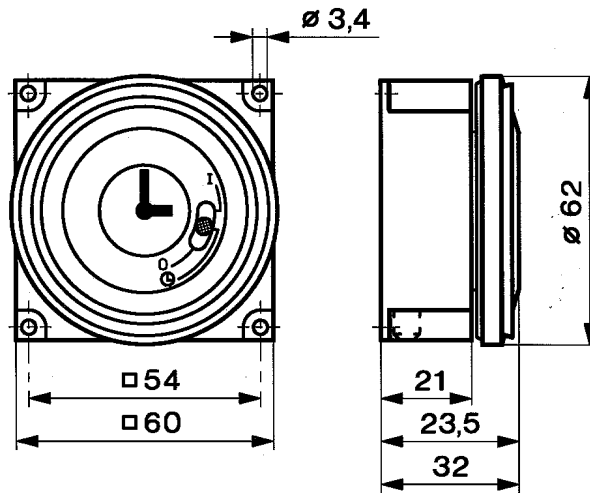
This product is a quartz motor driven time switch module. The internal power supply incorporates a rechargeable cell providing running reserve of 150 hours after a 70 hour charging period. The standard unit has a 24 hour dial. Switching is carried out by setting of tappets within the dial. There are 96 "captive" tappets at 15 minute increments. The 7-day variant has 84 x 2 hour tappets. The FM/1 is suitable for "sub-panel" mounting. Four fixing holes on 54mm centres are provided within the base of the housing.

**Technical specification:**

Control panel cutout	62.5mm Ø
Weight	75g
AC switching capacity:	
- resistive load	16A 250v AC
- inductive load cos Ø 0.6	8A 250v AC
- incandescent lamp load	135W
- fluorescent or SON lamp load	100W
Minimum switching current	100mA (20v) AC/DC
Contact type	volt-free changeover
Connection	5 x DIN 6.3mm tab terminals
Ambient temperature	-20°C to +85°C
Accuracy	mains synchronised
Minimum switching time	15 minutes / 2 hours



Manual switch position:  
 I - On  
 L - Timed  
 0 - Off



Dimensional details : FM/1 modules  
(dial + clock hands + override illustrated)