

connector - with screwless terminals



Product description

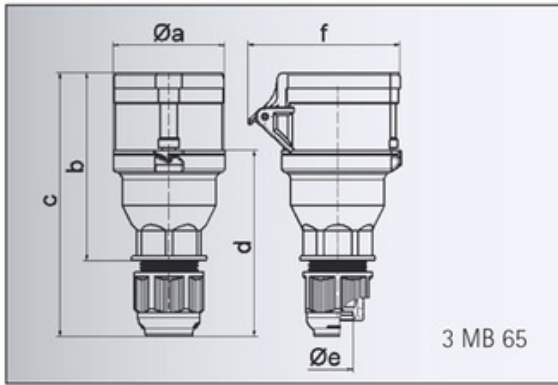
Order number	3125
EAN/pcs	4024941031257
Product Group	Quick-Connect connector Multi-Grip cable gland
Amperage	16A
Poles	3p (2P+PE)
Earth 'Clock' Position	4 h
Voltage	100 up to 130V
Frequency	50 and 60Hz
Protection	IP44
Color code	yellow RAL 1012
Connection Design	screwless spring terminals as cage clamp with Kontext-contact
Max. conductor	2,5 mm ²

Further Information

Additional technical information	Multi-Grip cable gland with gasket and integrated strain relief For cable diameter from 8 up to max. 18 mm Screwless housing connection with snap fastening
----------------------------------	---

Material

Material of Enclosure	Polyamide
Contact / Contact Carrier	contact carrier made of polyamide, the contacts are brass
Weight/pcs	0.120 kg
Packaging unit	10 pcs



Ampere	16	16	16	32	32	32
Polzahl	3	4	5	3	4	5
a ø	53,0	60,0	66,0	74,5	74,5	74,5
b	100,5	112,5	113,5	133,5	133,5	134,5
c	141,0	153,0	154,0	186,0	186,0	187,0
d	97,5	104,5	105,5	127,5	127,5	128,5
e ø	18,0	18,0	18,0	23,0	23,0	23,0
f	76,0	79,0	86,0	92,0	92,0	97,0
Leiter mm ² min	1	1	1	2,5	2,5	2,5
Leiter mm ² max	2,5	2,5	2,5	6	6	6