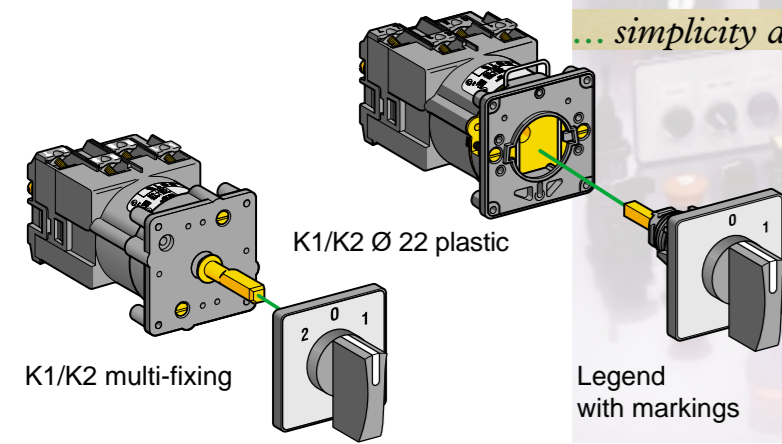




## Comprehensive *know-how* Human Machine Interface ...

... *simplicity and harmony*



Body/contact assembly with fixing collar

*Harmony* style operating head (K1/K2 ranges)

Legend with markings

... *a homogeneous offer, 3 adaptable ranges*

Select the range suited to your client's requirements, your applications or your equipment:

### *K1 / K2*

*Control in industrial and commercial sectors*

- «multi-fixing» concept (enables the switch to be mounted using the most commonly used fixing centre dimensions)
- universal range: covering all switching, selection, reversing and changeover functions

### *K10*

*Control of process and utilities*

- compact
- simple integration with Ø 22 and Ø 16 mm control and signalling units
- selection of functions

### *K30 ... K150*

*Direct control of individual machines*

- reversing and starting functions

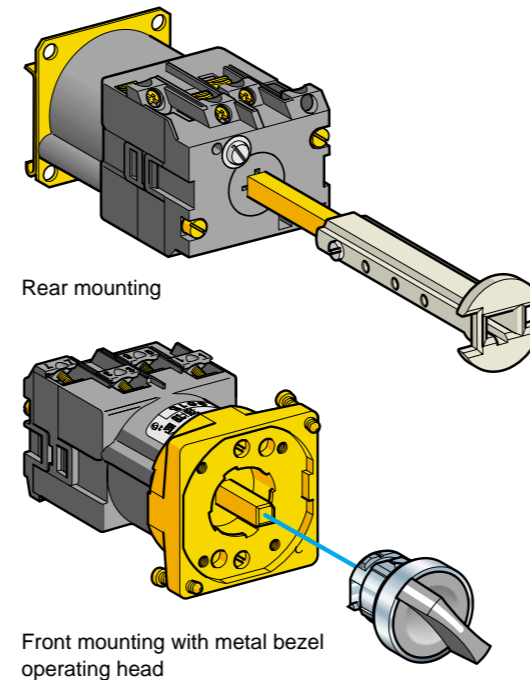
## A cam switch offer at your *service*

### *A complete offer*

The complete units shown in this selection guide provide the answer to the most frequently encountered applications.

### *Do you have an application not covered?*

Products for user assembly can equally be found in our catalogue. Schneider Electric offers you a modular solution comprising standard sub-assemblies: body/contact blocks for front or rear mounting, operating heads, legends, etc. In addition, a full range of accessories complements our cam switch offer. For any applications requiring a non standard switching programme, a customised switch ordering form is available on request from your local representative.



### *Quick delivery*

The 300+ products listed in this selection guide are permanently stocked items. Therefore, Schneider Electric assures you of quick delivery in the event of restocking or repair servicing.

### *Worldwide availability*

With 5000 sales outlets and 800 industrial and sales centres distributed throughout 130 countries, you can be assured that, wherever you are, the cam switch offer is available.

Schneider Electric Industries SAS

Headquarters

89, bd Franklin Roosevelt  
F - 92506 Rueil Malmaison Cedex

<http://www.schneider-electric.com>

*Our Company's policy is one of continuous development and improvement and therefore, the products shown in this leaflet can be subject to changes in appearance, characteristics, operation and utilisation. The details given are for guidance only and shall not bind us in any way.*

© Copyright Schneider Electric 2003

## Cam switches **Series K** Let yourself be guided with total *simplicity*



*K1 / K2*

*K10*

*K30...K150*