



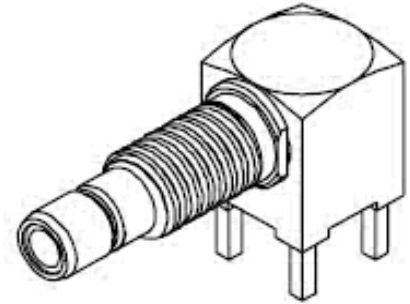
Part Number : [731000097](#)

Product Description : SMB Jack, Right-Angle, Bulkhead Receptacle, PCB, Through Hole, Nut and Lockwasher Included, Brass Body, 50 Pieces Per Tray, 50 Ohms

Series Number : 73404

Status : Active

Product Category : RF / Coaxial Connectors



Documents & Resources

Drawings

[731000097_sd.pdf](#)

Specifications

[PS-73598-0099-001.pdf](#)

Product Environment Compliance

Compliance

GADSL/IMDS	Not Relevant
China RoHS	per SJ/T 11365-2006
EU ELV	Not Relevant
Low-Halogen Status	Low-Halogen per IEC 61249-2-21
REACH SVHC	Contains Lead per D(2023)3788-DC (14 Jun 2023)
EU RoHS	Compliant with Exemption 6(c) per EU 2015/863

Compliance Statements

- EU RoHS
- REACH SVHC
- Low-Halogen

Industry Documents

- IPC 1752A Class C
- IPC 1752A Class D
- Molex Product Compliance Declaration

- IEC-62474
- chemSHERPA (xml)

Substances of Interest

- PFAS

EU RoHS Certificate of Compliance

Additional Product Compliance Information

Part Details

General

Status	Active
Category	RF / Coaxial Connectors
Series	73404
Description	SMB Jack, Right-Angle, Bulkhead Receptacle, PCB, Through Hole, Nut and Lockwasher Included, Brass Body, 50 Pieces Per Tray, 50 Ohms
Product Name	SMB
Style	PCB
Type	Subminiature
UPC	800753686342

Electrical

Frequency	6 GHz
Impedance	50Ω
Power / Voltage	VOLTAGE: 335 Vrms@Sea Level

Physical

Cable Attachment	N/A
Gender	Jack
Keying to Mating Part	N/A
Net Weight	4.685/g
Orientation	Right Angle
Packaging Type	Tray
Panel Mount	Yes
Panel Mount Method	Bulkhead
PCB Mounting	Through Hole

PCB Thickness - Recommended	2.40mm
Reverse Polar	No
Wire/Cable Type	N/A

Solder Process Data

Max-Duration	10
Lead-Free Process Capability	SMC&WAVE
Max-Cycle	2
Max-Temp	260