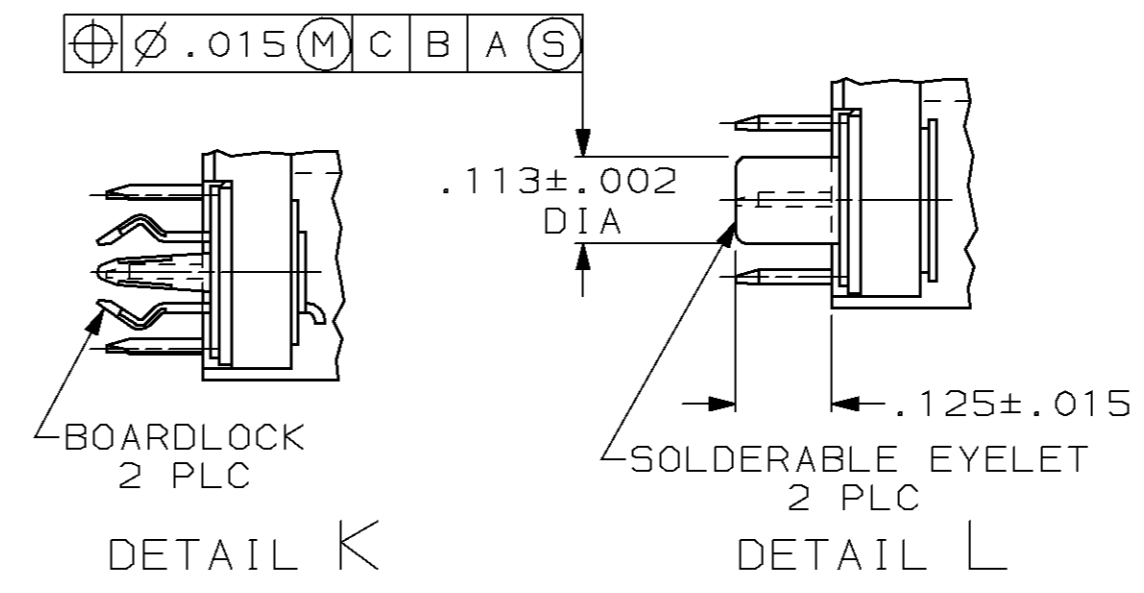
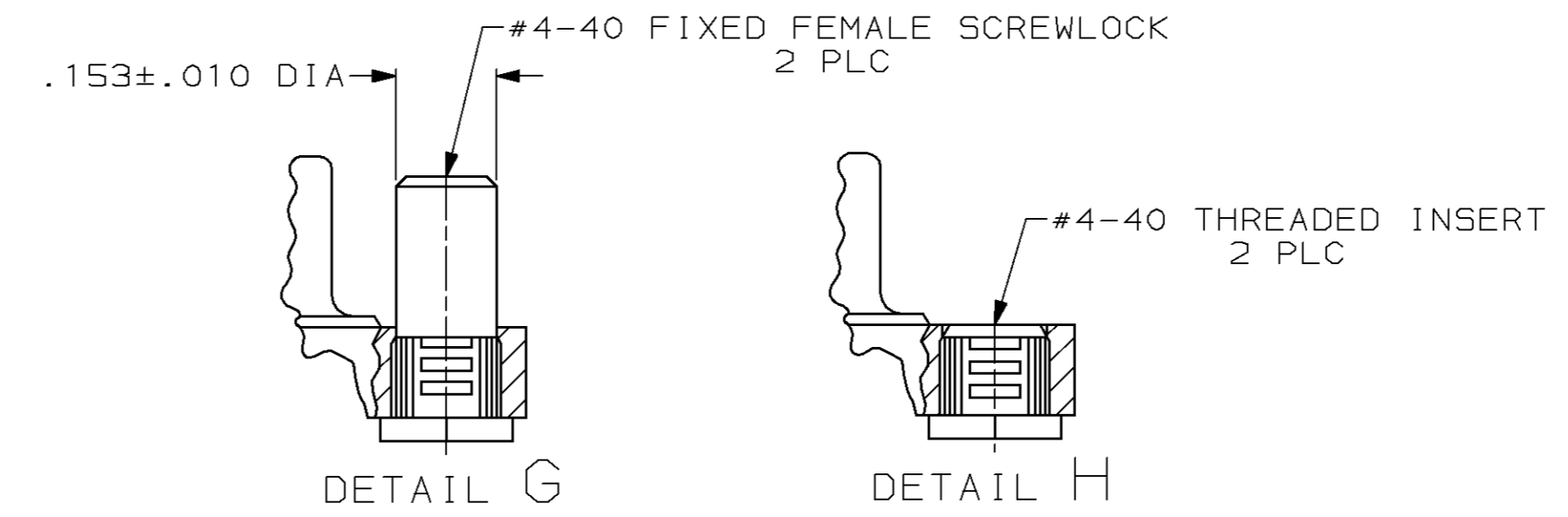
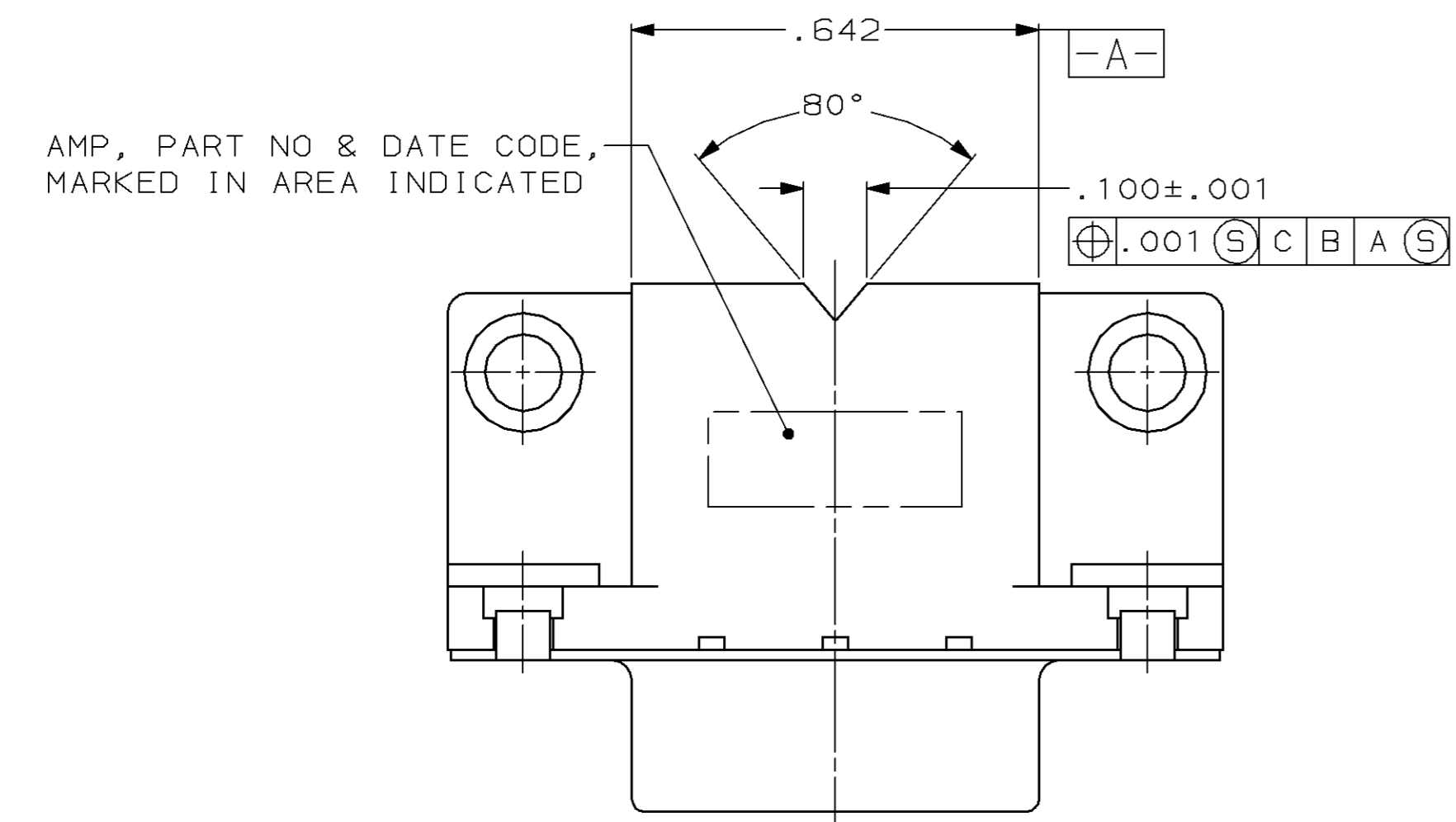
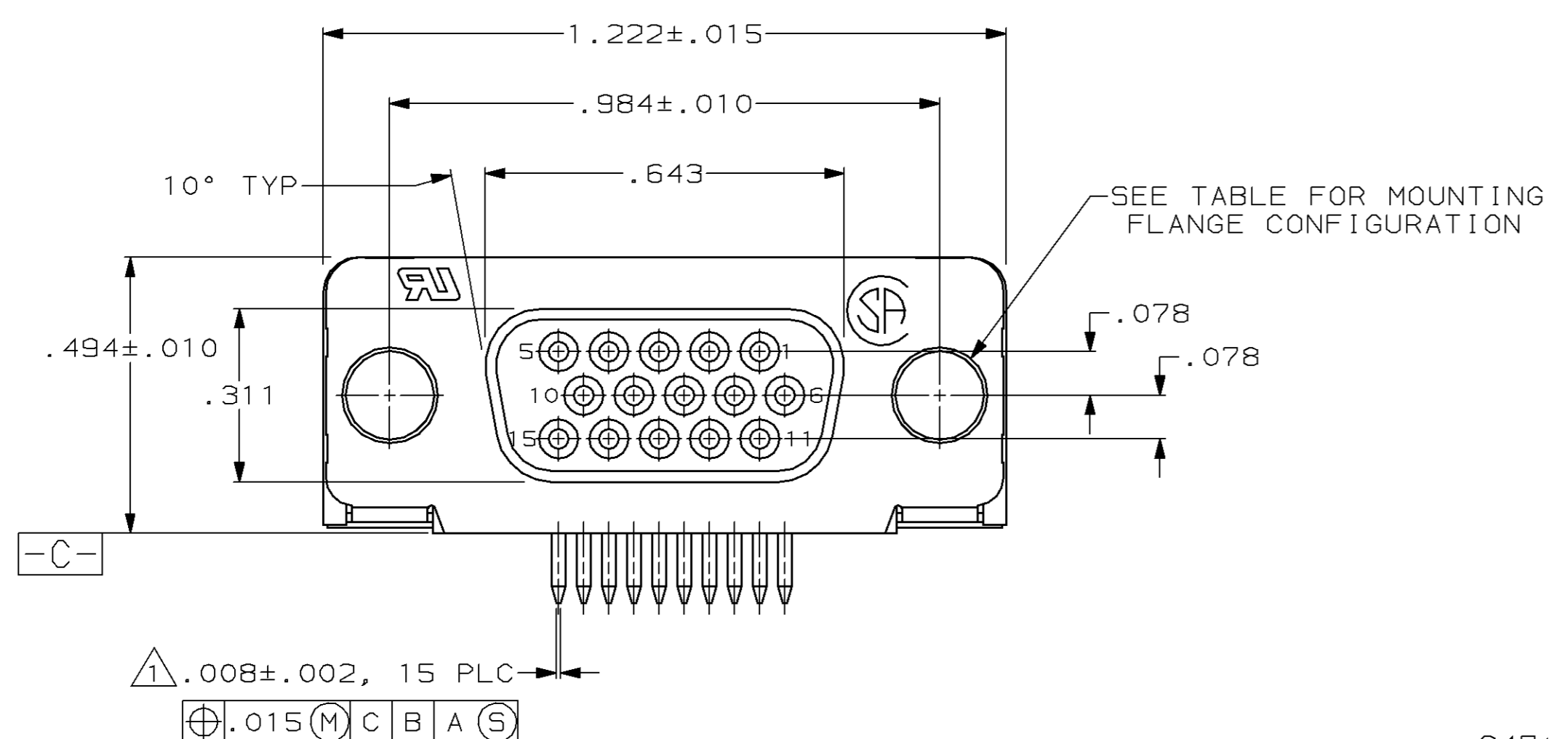


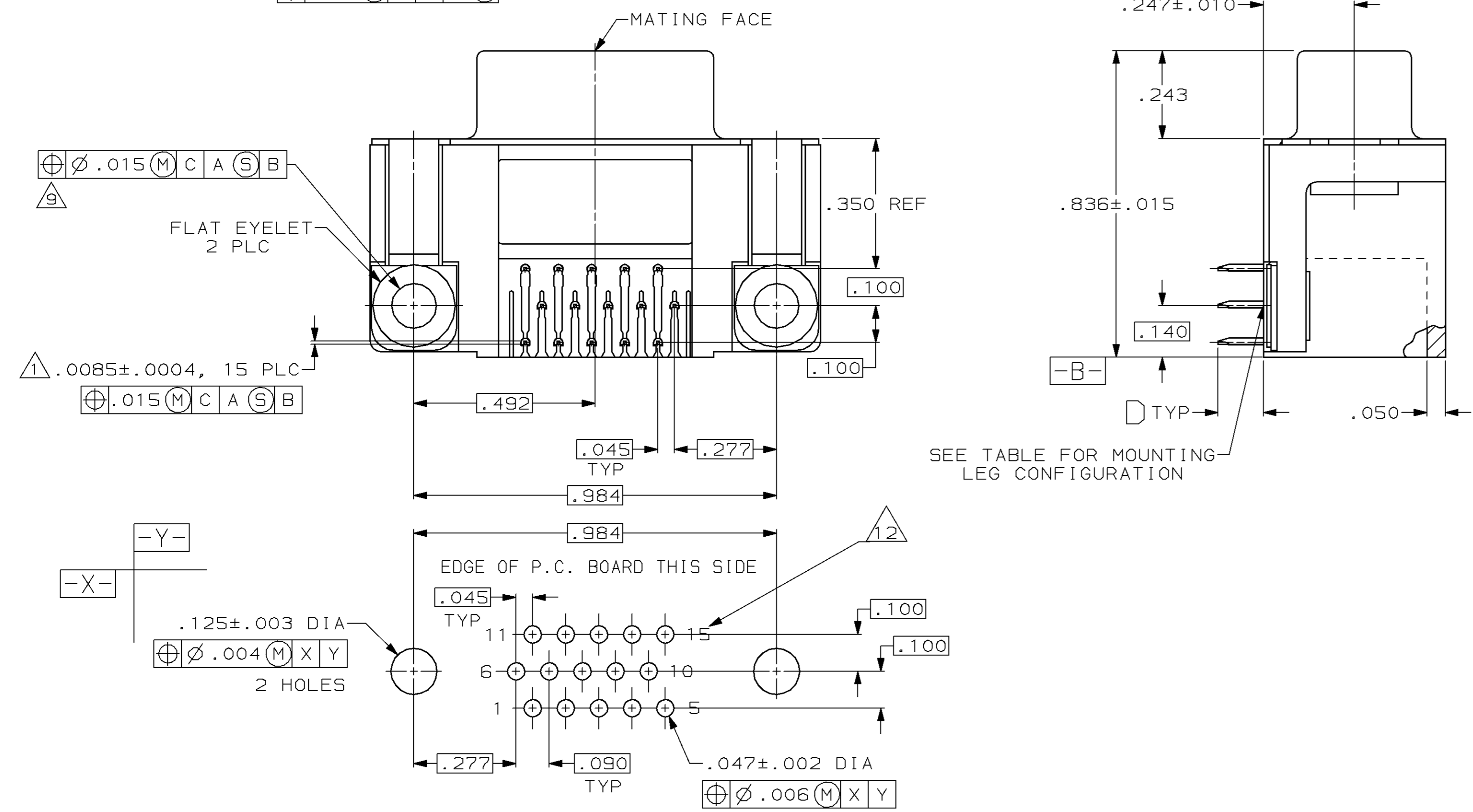
LOC		DIST		REVISONS		DATE	APPD
BD	77	P	F	ZONE	LTR	DESCRIPTION	
		AH				ADDED 4--2 PER EC 0020-91-96	06 FEB 96 RLT
		AJ				SUPSD -14, -15, -19, -20 & OBS -18 PER EC 0020-493-96	14 JAN 97 RT



- 1 POSITION TOLERANCE APPLIES AT TIP ONLY.
- 2 NYLON, 94 V-0 RATED, BLACK.
- 3 PHOS. BRONZE PER QQ-B-750.
- 4 STEEL PER ASTM A109.
- 5 FLAT EYELETS & SOLDERABLE EYELETS: BRASS; BOARDLOCKS: COPPER ALLOY; INSERTS & SCREWLOCKS: ZINC.
- 6 GOLD PLATING PER MIL-G-45204, NICKEL PLATING PER QQ-N-290, TIN PLATING PER MIL-T-10727.
- 7 BRIGHT TIN PLATED.
- 8 FLAT EYELETS: BRIGHT TIN PLATED; SOLDERABLE EYELETS & BOARDLOCKS: TIN-LEAD PLATED; SCREWLOCKS: CLEAR CHROMATE; INSERTS: CLEAR CHROMATE.
- 9 POSITION TOLERANCE APPLIES TO .125 DIA HOLE OR TO DIAMETER ESTABLISHED BY LEGS OF BOARDLOCK.
- 10 PLATED WITH GOLD (SEE TABLE FOR THICKNESS) ON MATING END, .000120 MIN TIN-LEAD ON SOLDER END, ALL OVER .000050 MIN NICKEL.
- 11 PART NO INCLUDES BULK PACKED SCREWLOCKS.
- 12 POSITION NUMBERS SHOWN FOR REFERENCE ONLY.
- 13. THIS CONNECTOR IS RATED TO A TEMPERATURE OF 220° C MAX AND 90 SECOND MAXIMUM EXPOSURE TIME.



TRAYS	THICKNESS	DETAIL	DETAIL	THICKNESS	PART NO
-	.085±.010	DETAIL K	DETAIL G	.000030 MIN	4-748390-2
-	.085±.010	DETAIL K	DETAIL H	FLASH	4-748390-1
TUBES	.125±.020	DETAIL K	DETAIL H	.000030 MIN	3-748390-9
-	.085±.010	DETAIL K	DETAIL H	.000030 MIN	3-748390-8
-	.105±.010	DETAIL K	DETAIL H	.000030 MIN	3-748390-7
-	.125±.020	DETAIL K	DETAIL H	FLASH	3-748390-6
-	.125±.020	DETAIL K	DETAIL G	.000020 MIN	3-748390-5
-	.125±.020	DETAIL K	DETAIL H	.000020 MIN	3-748390-4
-	.125±.020	DETAIL K	DETAIL H	.000020 MIN	3-748390-3
-	.125±.020	DETAIL K	DETAIL H	.000020 MIN	3-748390-2
-	.125±.020	DETAIL K	DETAIL G	.000015 MIN	3-748390-1
-	.125±.020	DETAIL K	DETAIL G	.000015 MIN	3-748390-0
-	.125±.020	DETAIL K	DETAIL H	.000015 MIN	2-748390-9
-	.125±.020	DETAIL K	DETAIL H	.000015 MIN	2-748390-8
-	.125±.020	DETAIL K	DETAIL G	.000010 MIN	2-748390-7
-	.125±.020	DETAIL K	DETAIL G	.000010 MIN	2-748390-6
-	.125±.020	DETAIL K	DETAIL H	.000010 MIN	2-748390-5
-	.125±.020	DETAIL K	DETAIL H	.000010 MIN	2-748390-4
-	.125±.020	DETAIL K	DETAIL G	FLASH	2-748390-3
-	.125±.020	DETAIL K	DETAIL G	FLASH	2-748390-2
-	.125±.020	DETAIL K	DETAIL H	FLASH	2-748390-1
-	.125±.020	DETAIL K	DETAIL G	.000030 MIN	2-748390-0
-	.125±.020	DETAIL K	DETAIL H	.000030 MIN	1-748390-9
-	.125±.020	DETAIL L	DETAIL G	FLASH	1-748390-8
-	.125±.020	DETAIL L	DETAIL H	FLASH	1-748390-7
-	.125±.020	DETAIL L	DETAIL G	.000010 MIN	1-748390-5
-	.125±.020	DETAIL L	DETAIL H	.000030 MIN	1-748390-4
-	.125±.020	DETAIL K	DETAIL G	FLASH	1-748390-2
-	.125±.020	DETAIL K	DETAIL H	FLASH	1-748390-1
-	.125±.020	DETAIL K	DETAIL G	.000030 MIN	748390-6
-	.125±.020	DETAIL K	DETAIL H	.000030 MIN	748390-5
TRAYS	.125±.020	DETAIL K	DETAIL H	.000030 MIN	748390-5
PACKAGING	D	MOUNTING LEG CONFIGURATION	MOUNTING FLANGE CONFIGURATION	CONTACT MATING END GOLD THICKNESS	PART NO



P.C. BOARD MOUNTING DIMENSIONS
 (.062 PC BOARD THICKNESS FOR SOLDERABLE EYELETS & BOARDLOCKS)
 (.093 MAX PC BOARD THICKNESS WITHOUT SOLDERABLE EYELETS & BOARDLOCKS)

DO NOT SCALE PRINT. UNLESS SPECIFIED DIMENSIONS IN INCHES TOLERANCES ON:

DR 1-27-88 C. RICHARD	NAME	RECEPTACLE ASSY, SIZE 1, 15 POSN, RIGHT ANGLE, FRONT METAL SHELL, AMPLIMITE® HD-22
CHK 1-29-88 S. WELDON		
APPD 1-29-88 P. KISSINGER	PRODUCT SPEC	108-1092
APPD 2-1-88 C. ROHDE	APPLICATION SPEC	114-40021
MATERIAL MOLDED PARTS: CONTACTS: SHELL: HARDWARE: FINISH: CONTACTS: SHELL: HARDWARE:	SIZE	D
	FSCM NO	00779
	DRAWING NO	748390
	SCALE	4:1
	SHEET	1 OF 1