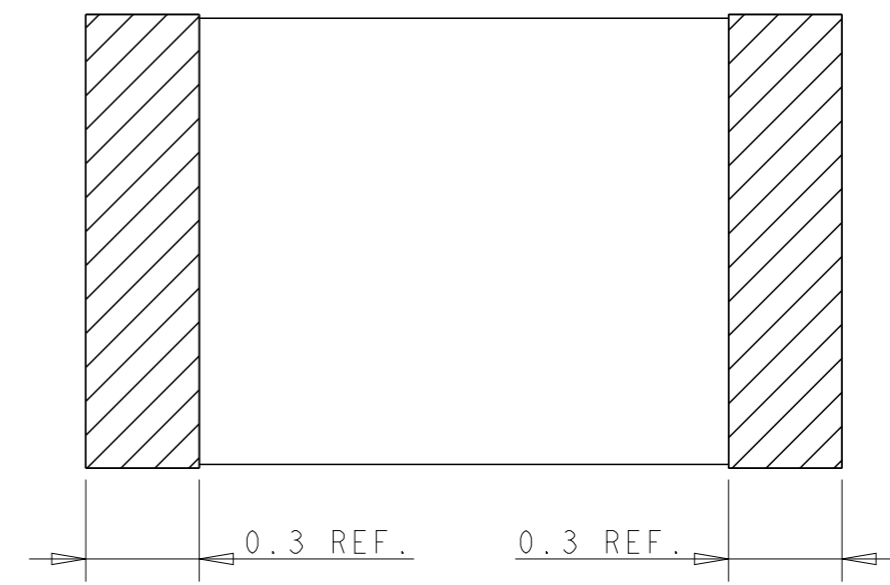
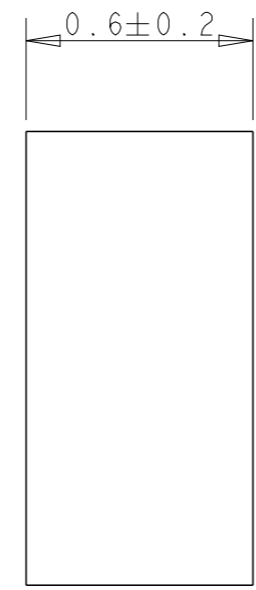
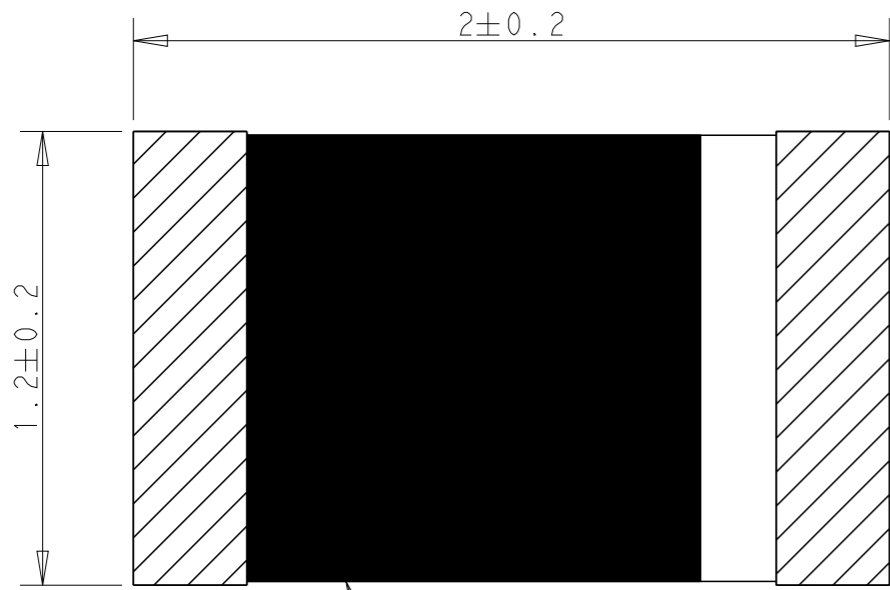
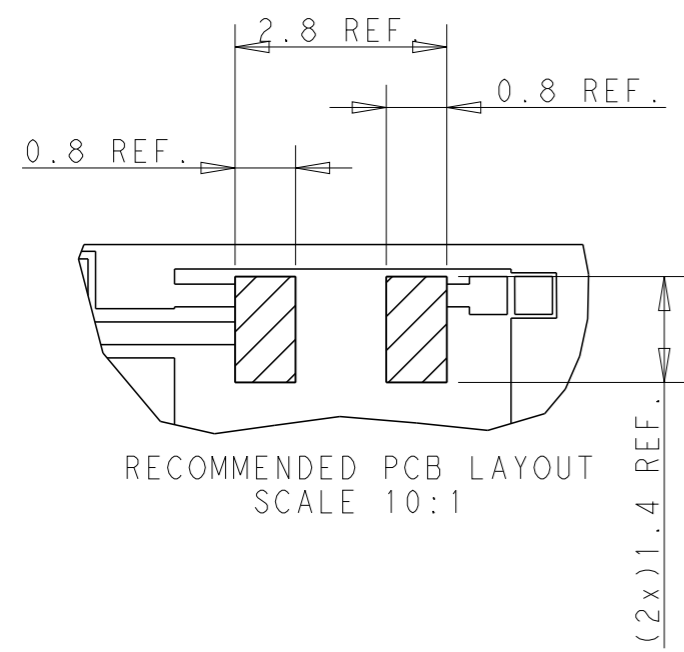


P	LTR	DESCRIPTION	DATE	DWN	APVD
	A	REVISED PER ECN-24-297329	10DEC2024	DW	VK




NOTES: UNLESS OTHERWISE SPECIFIED.

1. MATERIAL : CERAMIC
2. CONSULT TE CONNECTIVITY DATA SHEET : L000946
3. CONTACT TE CONNECTIVITY ENGINEERING PRIOR TO DESIGNIN INTO AN APPLICATION.
4. PACKAGING : TAPE AND REEL PACKAGED, SEE SHEET 2

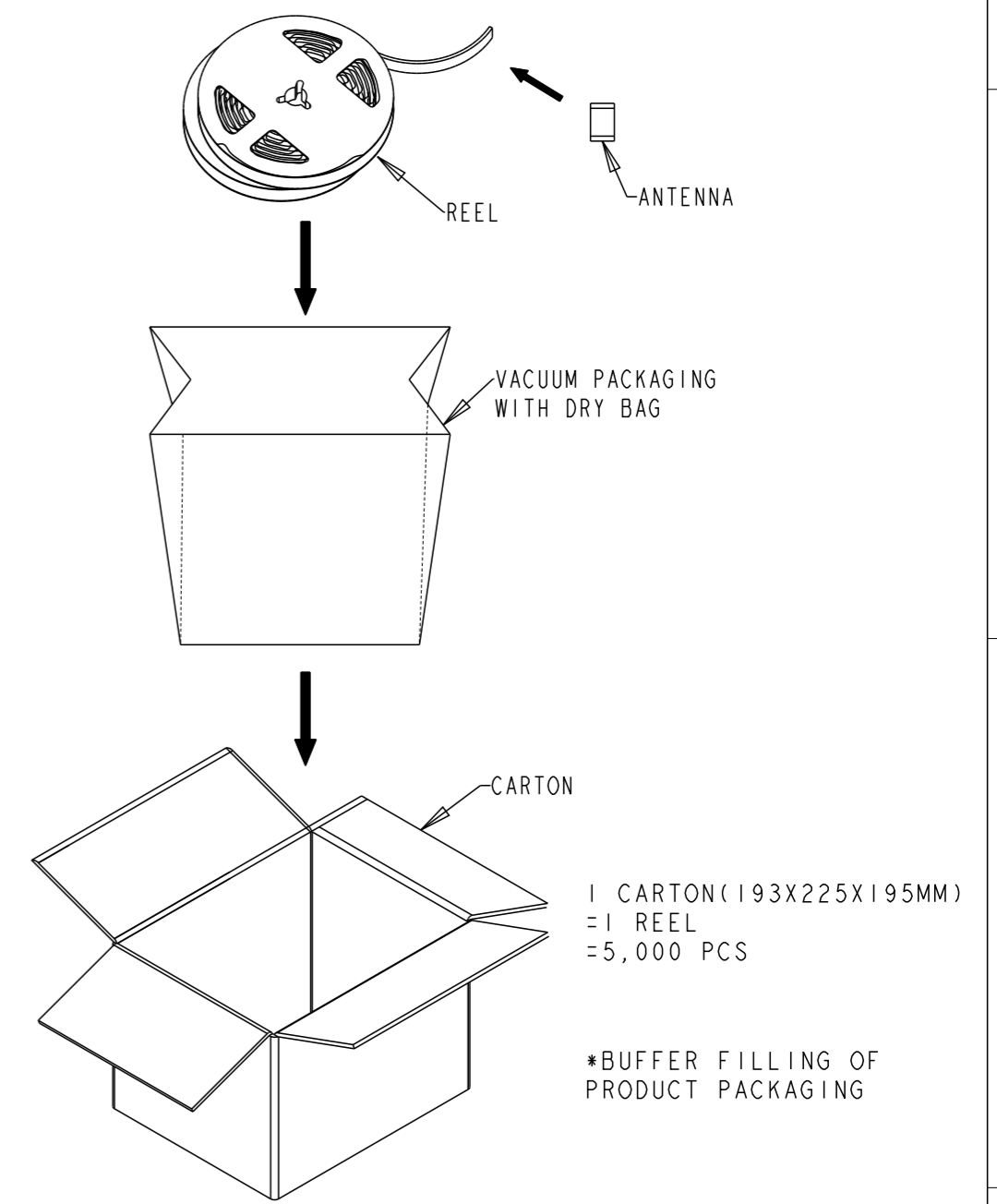
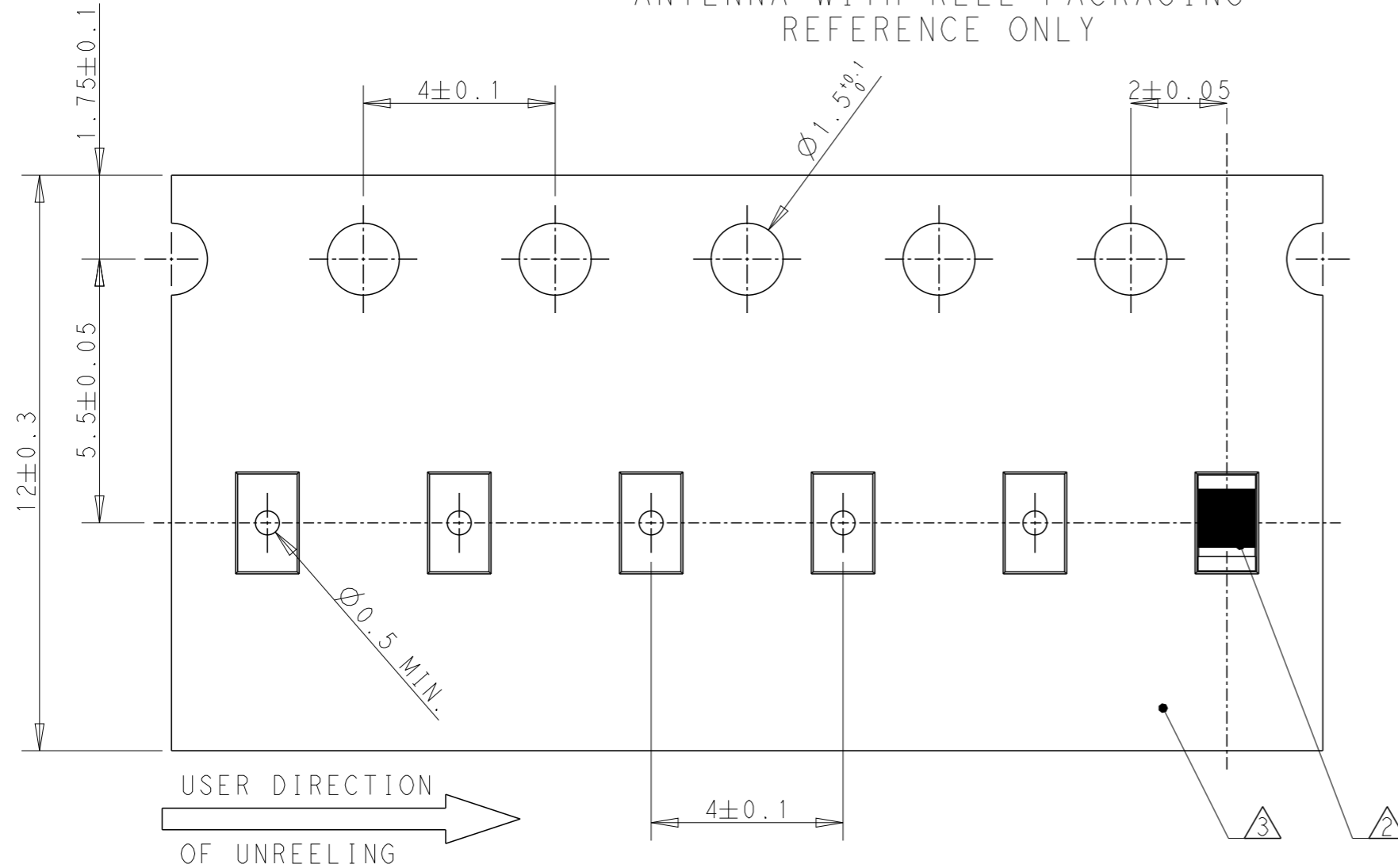


TAPE AND REELED	L000946-01
PACKAGING	PART NUMBER

THIS DRAWING IS A CONTROLLED DOCUMENT.		DWN DW.PARK 25JUN2024	 TE Connectivity
DIMENSIONS: mm		CHK SJ.NOH 25JUN2024	
TOLERANCES UNLESS OTHERWISE SPECIFIED:		APVD NG.WEITAT 25JUN2024	
0 PLC ±- 1 PLC ±- 2 PLC ±- 3 PLC ±- 4 PLC ±- ANGLES ±-		NAME Chip ANT, 2.4GHz, BT, Wi-Fi, 40x5x6mm	
MATERIAL -	FINISH -	PRODUCT SPEC -	SIZE A3
		APPLICATION SPEC -	CAGE CODE 00779
		WEIGHT -	DRAWING NO. L000946
		CUSTOMER DRAWING	RESTRICTED TO -
		SCALE 10:1	SHEET 1 OF 4
			REV A

P	LTR	DESCRIPTION	DATE	DWN	APVD
		SEE SHEET 1			

AS SHOWN L000946-01
ANTENNA WITH REEL PACKAGING
REFERENCE ONLY

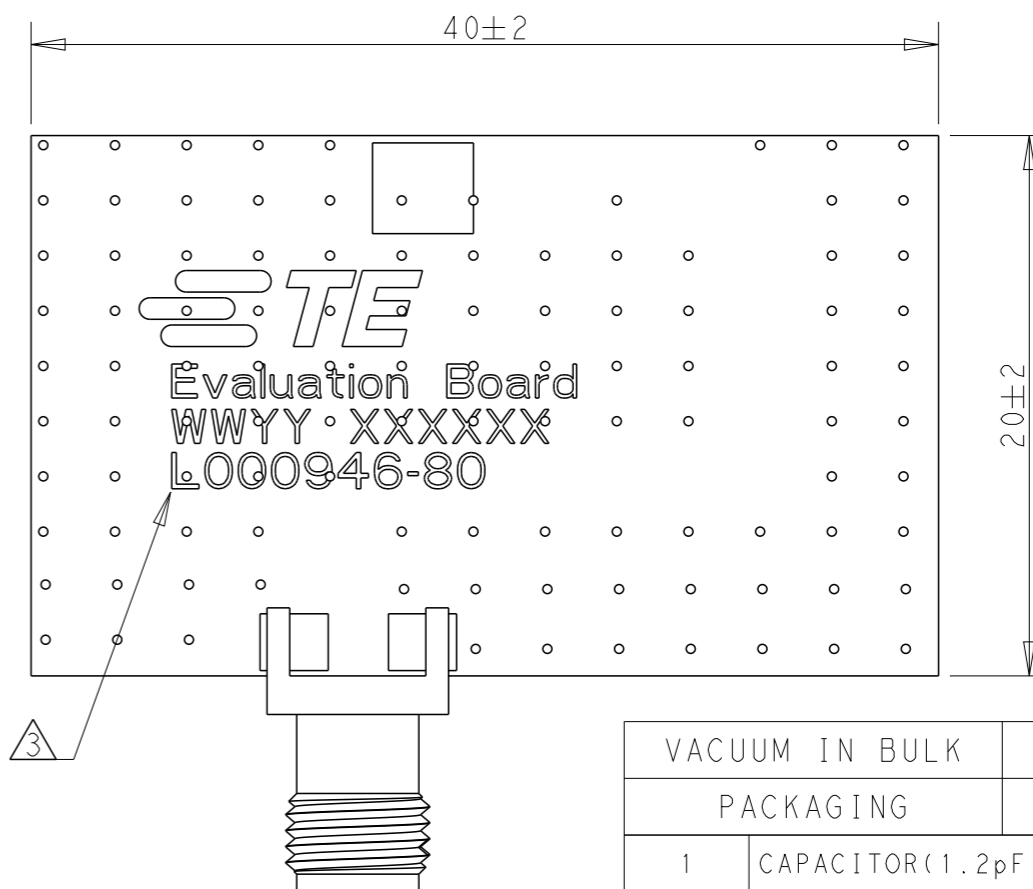
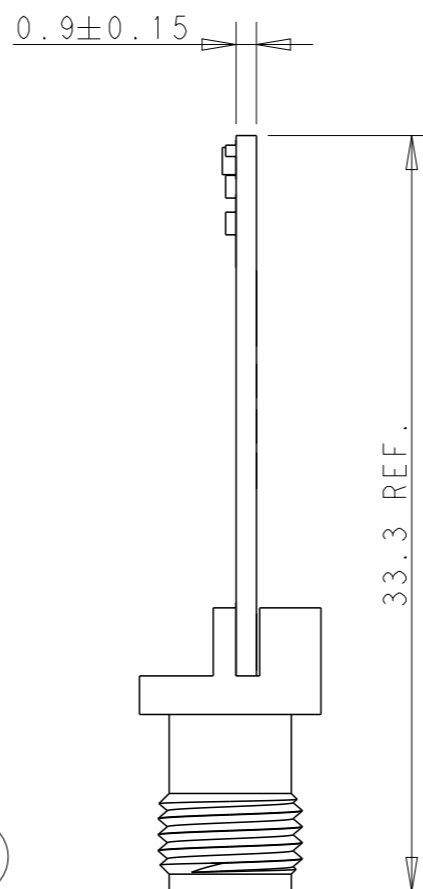
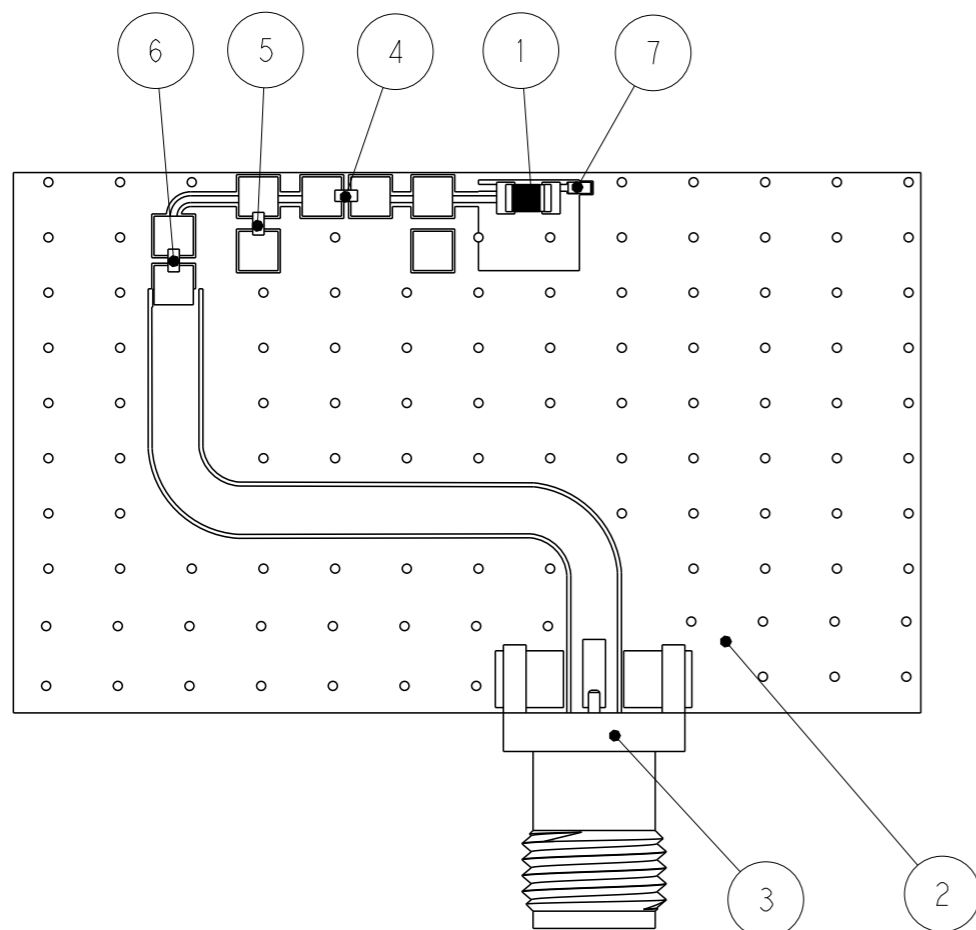


- NOTES.
- UNLESS OTHERWISE SPECIFIED TOLERANCE PER EIA-481-D
 - ORIENT PARTS AS SHOWN.
 - MATERIAL : P.S 0.4mm THICKNESS, COLOR : BLACK, CONDUCTIVE
WHEN ALTERNATIVE MATERIAL (PET, P.P) USE, CONSULT ECO PRIOR TO MANUFACTURER.
 - Q'TY/REEL : 5000 PCS/REEL

THIS DRAWING IS A CONTROLLED DOCUMENT.		DWN DW.PARK	25JUN2024	TE Connectivity													
DIMENSIONS: mm		CHK SJ.NOH	25JUN2024														
TOLERANCES UNLESS OTHERWISE SPECIFIED:		APVD NG.WEITAT	25JUN2024	NAME Chip ANT, 2.4GHz, BT, Wi-Fi, 40x5x6mm													
<table border="1"> <tr> <td>0 PLC</td> <td>±-</td> </tr> <tr> <td>1 PLC</td> <td>±-</td> </tr> <tr> <td>2 PLC</td> <td>±-</td> </tr> <tr> <td>3 PLC</td> <td>±-</td> </tr> <tr> <td>4 PLC</td> <td>±-</td> </tr> <tr> <td>ANGLES</td> <td>±-</td> </tr> </table>		0 PLC	±-	1 PLC	±-	2 PLC	±-	3 PLC	±-	4 PLC	±-	ANGLES	±-	PRODUCT SPEC	-	SIZE	A300779
0 PLC	±-																
1 PLC	±-																
2 PLC	±-																
3 PLC	±-																
4 PLC	±-																
ANGLES	±-																
MATERIAL		APPLICATION SPEC	-	CAGE CODE	C=L000946												
FINISH		WEIGHT	-	DRAWING NO	-												
-		CUSTOMER DRAWING	-	RESTRICTED TO	-												
-		SCALE	1:1	SHEET	2 OF 4												
-		REV	A														

P	LTR	DESCRIPTION	DATE	DWN	APVD
		SEE SHEET 1			

ANTENNA WITH EVB ASS'Y



VACUUM IN BULK		L000946-80
PACKAGING		PART NUMBER
1	CAPACITOR(1.2pF)	7
1	CAPACITOR(22pF)	6
1	CAPACITOR(1.5pF)	5
1	RESISTOR(00HM)	4
1	SMA FEMALE CONNECTOR	3
1	EVB	2
1	L000946-01 ANTENNA	1
Q'TY (PC)	DESCRIPTION	ITEM

NOTES: UNLESS OTHERWISE SPECIFIED.

- MATERIAL : SEE TABLE.
- FINISH : EVB ASSEMBLY WITH SOLDER PROCESS

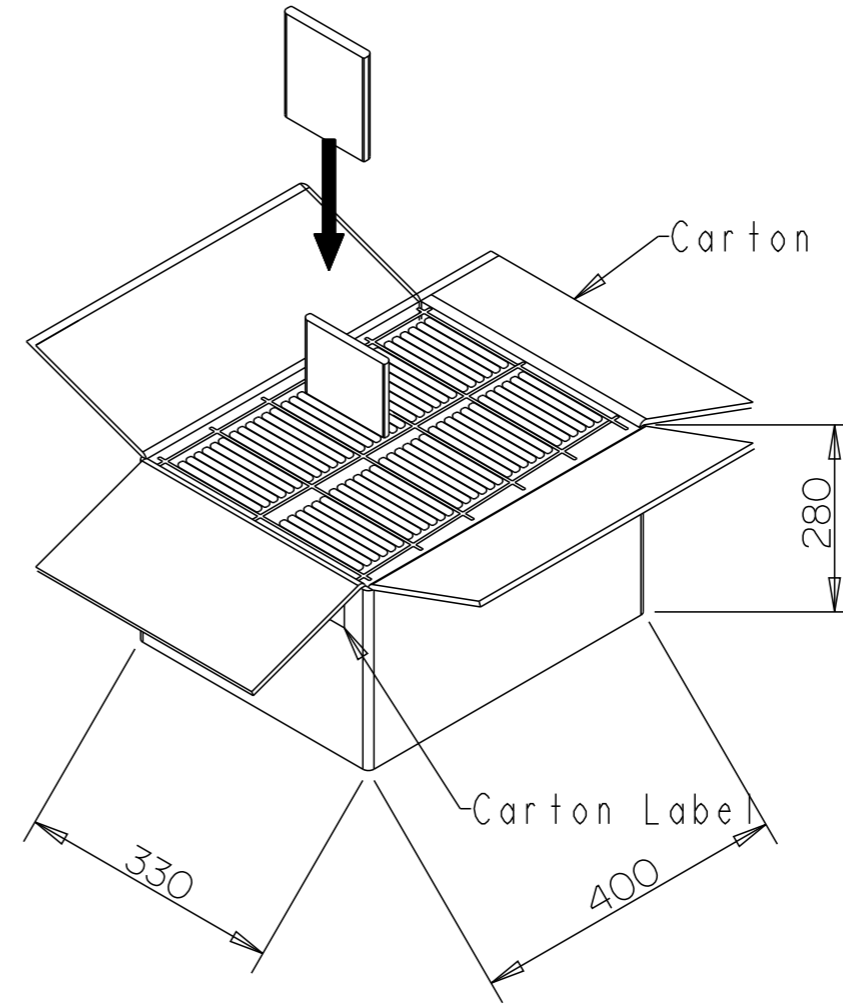
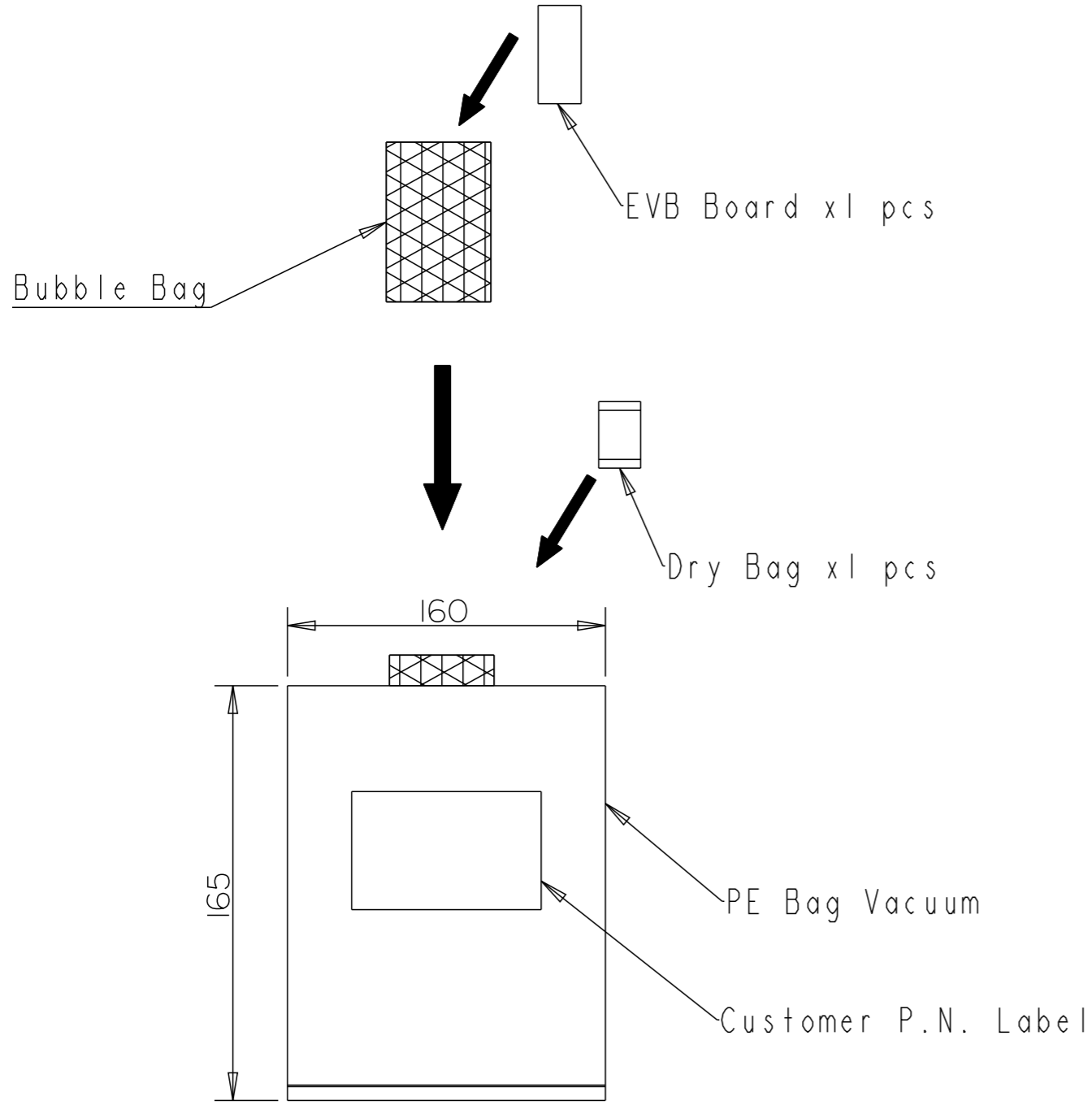
3. SILKSCREEN : WHITE EPOXY INK
 A. TE LOGO, TE P/N
 B. WORD REV., FOLLOWED BY THE LATEST REVISION, AS SHOWN/
 C. 4 DIGITS DATE CODE : FIRST 2 DIGITS FOR THE WEEK CODE AND THE 2ND TWO DIGITS FOR THE YEAR CODE.
 OTHERS : SPECIFIED TO SOURCE CODE NUMBER DIGITS AS REQUIRED.

- CONSULTS TE CONNECTIVITY DATA SHEET L000946
- CONTACT TE CONNECTIVITY ENGINEERING PRIOR TO DESIGNING INTO AN APPLICATION.
- PACKAGING: SECURELY VACUUM PACKAGED IN BULK.

THIS DRAWING IS A CONTROLLED DOCUMENT.		DWN DW.PARK 25JUN2024	TE Connectivity NAME Chip ANT, 2.4GHz, BT, Wi-Fi, 40x5x6mm				
DIMENSIONS: mm		CHK SJ.NOH 25JUN2024					
TOLERANCES UNLESS OTHERWISE SPECIFIED:		APVD NG.WEITAT 25JUN2024					
0 PLC ±- 1 PLC ±- 2 PLC ±- 3 PLC ±- 4 PLC ±- ANGLES ±-		PRODUCT SPEC -					
MATERIAL -		APPLICATION SPEC -	SIZE A3	CAGE CODE 00779	DRAWING NO C=L000946	RESTRICTED TO -	
FINISH -		WEIGHT -	CUSTOMER DRAWING		SCALE 1:1	SHEET 3 OF 4	REV A

PACKAGING SPECIFICATIONS FOR REFERENCE

REVISIONS					
P	LTR	DESCRIPTION	DATE	DWN	APVD
		SEE SHEET 1			



- 1 PE Bag = 1 pc EVB Board
- 1 Carton = 60 PE Bags = 60 pcs EVB Board

*Buffer Filling Of Product Packaging

THIS DRAWING IS A CONTROLLED DOCUMENT.		DWN DW.PARK 25JUN2024												
DIMENSIONS: mm		CHK SJ.NOH 25JUN2024												
TOLERANCES UNLESS OTHERWISE SPECIFIED:		APVD NG.WEITAT 25JUN2024												
<table border="0"> <tr> <td>0 PLC</td> <td>±-</td> </tr> <tr> <td>1 PLC</td> <td>±-</td> </tr> <tr> <td>2 PLC</td> <td>±-</td> </tr> <tr> <td>3 PLC</td> <td>±-</td> </tr> <tr> <td>4 PLC</td> <td>±-</td> </tr> <tr> <td>ANGLES</td> <td>±-</td> </tr> </table>		0 PLC				±-	1 PLC	±-	2 PLC	±-	3 PLC	±-	4 PLC	±-
0 PLC	±-													
1 PLC	±-													
2 PLC	±-													
3 PLC	±-													
4 PLC	±-													
ANGLES	±-													
MATERIAL		PRODUCT SPEC	SIZE	CAGE CODE	DRAWING NO	RESTRICTED TO								
-		APPLICATION SPEC	A3	00779	©-L000946	-								
FINISH		WEIGHT	CUSTOMER DRAWING			SCALE 1:1								
-		-	SHEET 4 OF 4			REV A								