

Data sheet

Art.No.: 91.922.3053.0

Connector GST15i2S S1 ZR1W WS

GST15i2 connector, 2 pole, male, with screw connection (tall strain relief), for cable diameters 6-7.7 mm, coding protection class II 250 V, 16 A, coding color white, strain relief color white



Art.No.	91.922.3053.0
EAN	4015573916104
Order Unit	1

Certificates / Approvals



Technical data

General

Rated current	16 A
Rated voltage	250 V
Rated impulse voltage	4 kV
strain relief	Yes
Pollution degree	2
Mechanical coding	Code 1
Lockable	self-locking (unlocking by tool)
Color of coding/ contact carrier	white
Marking of poles	L, N
Color of housing inclusive strain relief	white

Connection Data

Cable diameter max.	7.7 mm
Cable diameter min.	6 mm
Connection cross section solid mm ² max.	2.5 mm ²
Connection cross section solid mm ² min.	0.5 mm ²
Connection cross section fine stranded mm ² max.	2.5 mm ²
Connection cross section fine stranded mm ² min.	0.5 mm ²
Terminations per pole	1
sheath strip length	21 mm
Wire strip length	8 mm

Model

Model	male
Connection type	Screw connection
Degree of protection (IP)	IP20

Material

Housing material	Polyamide
------------------	-----------

halogen free	Yes
Contact material	CuZn
Fire load	0.047 kWh
Insulation components continuous temperature	100 °C
Surface finish	Silver-plated

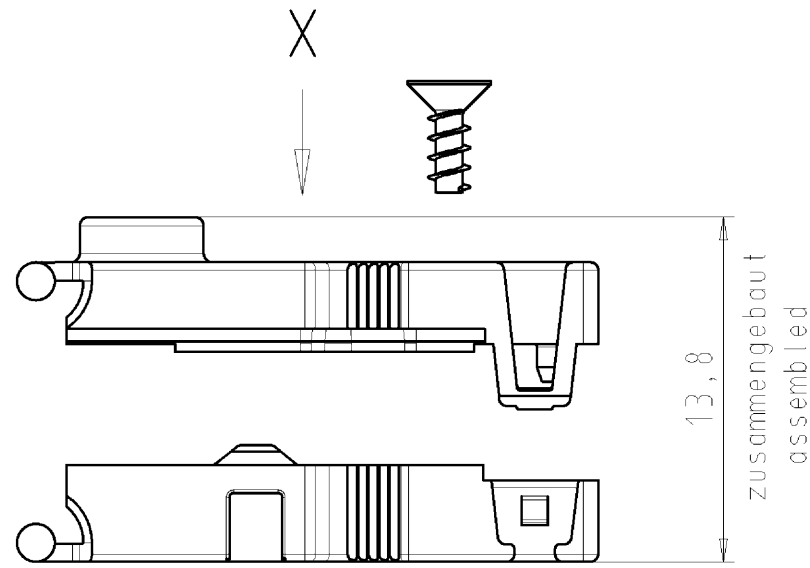
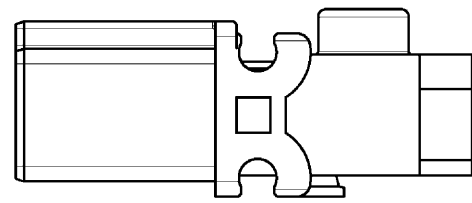
Dimensions

Length	53.2 mm
Width	17.7 mm
Height	13.8 mm

Classification

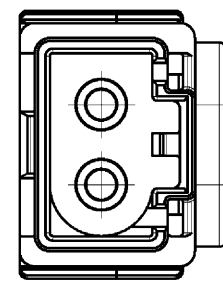
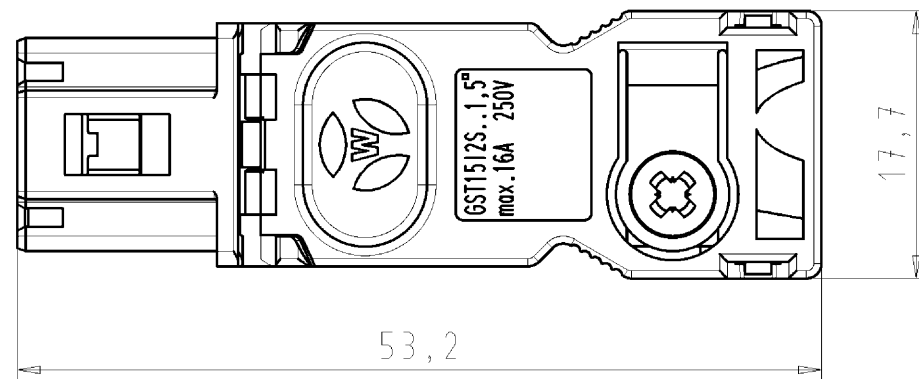
ECLASS 8.1	27440605
ETIM 7.0	EC002560
ETIM 6.0	EC002560
ETIM 5.0	EC002560
ETIM 4.0	EC002560

These dimensions will be especially checked at delivery
 Only inspection dimensions
 With /E marked dimensions are only valid for internal use



Diese Maße werden bei Abnahme besonders geprüft
 Ausschließliche Prüfmaße
 Mit /E gekennzeichnete Maße sind nur für interne Zwecke gültig

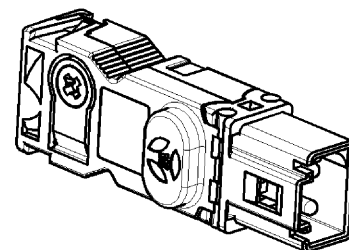
Ansicht in Pfeilrichtung X: montierter Zustand
view in arrow direction X: mounted version



Weitere Daten siehe Katalog
 further data see catalog

Teile-Nr. part-no.	Farbe colour
91.922.3053.0	weiß, ähnl. RAL 9003 white, similar to RAL 9003
91.922.3053.1	schwarz, ähnl. RAL 9005 black, similar to RAL 9005

M1:1



Tolerierung nach DIN 7167/Tolerance system acc. to DIN 7167. (This DIN-standard describes the envelope principle. According to the envelope principle the deviations of form and parallelism are limited by the size tolerances).				ja/yes <input checked="" type="checkbox"/> Stoffverbots- und Deklarationsliste nach UU-TOM-05/03 ist einzuhalten. Conformity with Wieland document UU-TOM-05/03 (list of prohibited / declarable hazardous substances) to be declared!			
Freitoleranz nach General tolerance		CAD - Zeichnung, keine manuellen Änderungen CAD - drawing, no manual modifications allowed		1. Verwendung: First Use:		Blatt: 1 von 1 Sheet: of 1	
/		Werkstoff/Material Farbe: siehe Tabelle colour: see table		2011 Tag/Date Name		Zeichnung Nr./Drawing No.	
/		Maßstab/Scale 2:1		gezeichnet drawn 12.01. Dütsch T.		T 91.922.3053.0 01K	
/		Vol. mm ³ Ofl./Surf. mm ²		geprüft checked -		Index	
/		Ersatz für/Replacement for: -		Normgepr. Stand. check -		Maße in mm/Dimensions are in mm	
/		wieland		Type		Benennung/Titel	
/		Elektrische Verbindungen		-		MALE CONNECTOR WITH STRAIN RELIEF STECKERT_M_ZUGENTL GST1512SS1.. (Netzanschluss/mains connection)	
Index Date / Sheet		Änderung/Revision					

Weitergabe sowie Vervielfältigung dieses Dokuments, Verwertung und Mitteilung seines Inhalts sind verboten, soweit nicht ausdrücklich gestattet.
 The reproduction, distribution and utilization of this document as well as the communication of its contents to others without express authorization is prohibited.