

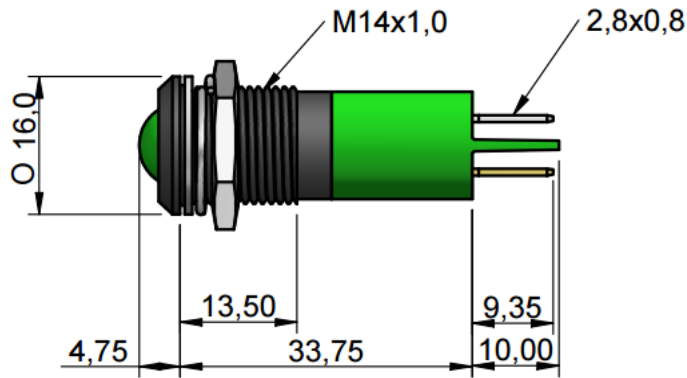
Datasheet

RS, 14.5mm, Prominent, Green neon Panel Mount Indicator, Solder Tab Termination, 10 mm Lamp Size, 240 V

RS Stock number [211-342](#)

RS ITEM NO 209-210

ITEM NO Q14P1BXXNG220



LED/Multiled	Neon	Optimum voltage (V)	230Vac	Intensity
Mounting Size	14mm	Rectifier	-	
Mounting Finish	Black	AC current	-	
Protection	IP40	DC current	-	
Mount Holder	Prominent	Voltage Tolerance(%)	10%	
Chip Qty	-	Optimum temperature (°C)	-40°C...+85°C	
Indicator colour	Green	Storage temperature (°C)	-	
Wavelength (nm)	-	Contact Tab x 2	2.8x0.8mm	



Dimension in mm (typical), not to scale.
We reserve the right to make changes without further notice to this product to improve reliability, function or design.