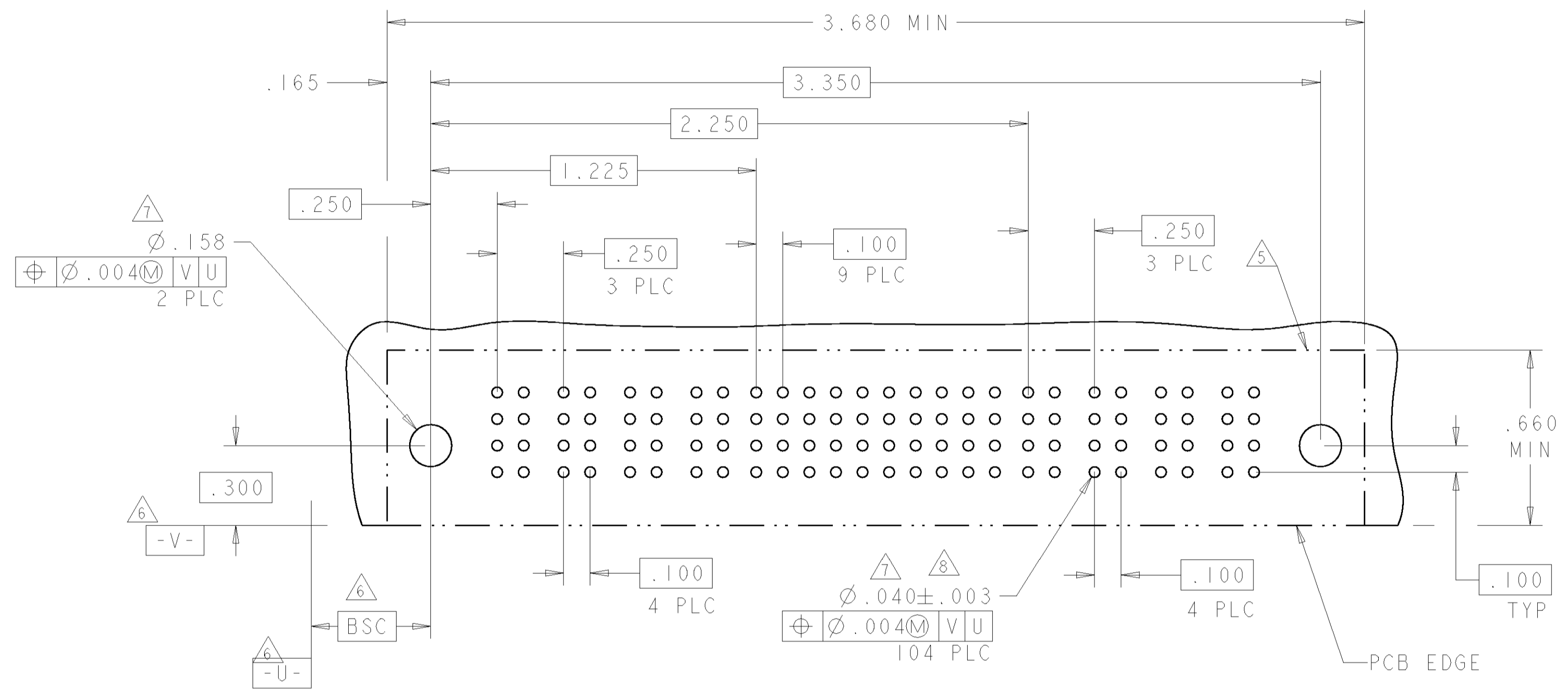
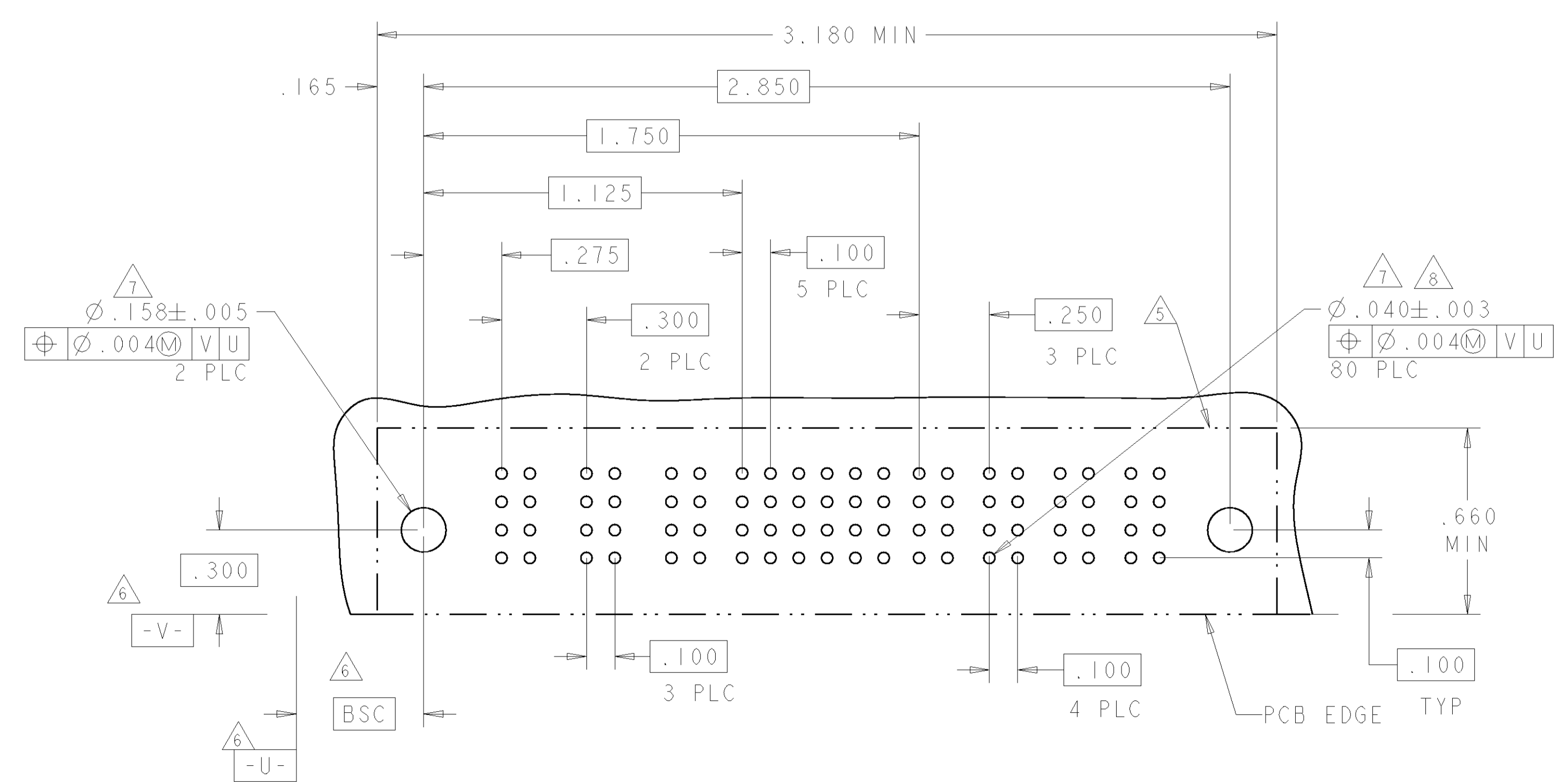


LOC	DIST	REVISIONS					
GP	00	P	LTR	DESCRIPTION	DATE	DWN	APVD
		-	-	SEE SHEET 1	-	-	-

PART NUMBER	ROWS	POWER				SIGNAL										POWER							
		P1	P2	P3	P4	1	2	3	4	5	6	7	8	9	10	P5	P6	P7	P8				
2-6450330-3	D C B A	PM	PM	PM	PM	J	J	J	J	J	J	J	J	J	J	J	J	J	J	J	J		
						K	K	K	K	K	K	K	K	K	K	K	K	K	K	K	K	K	
						N	N	N	N	N	N	N	N	N	N	N	N	N	N	N	N	N	N
						H	S	S	S	S	S	S	S	S	S	S	S	S	S	S	S	S	H
4P + 40S + 4P																							



PART NUMBER	ROWS	POWER			SIGNAL						POWER						
		P1	P2	P3	1	2	3	4	5	6	P4	P5	P6	P7			
2-6450330-8	D C B A	PM	PM	PM	J	J	J	J	J	J	J	J	J	J	J	J	
					K	K	K	K	K	K	K	K	K	K	K	K	
					N	N	N	N	N	N	N	N	N	N	N	N	N
					H	S	S	S	S	S	S	S	S	S	S	S	S
3ACP + 24S + 4P																	

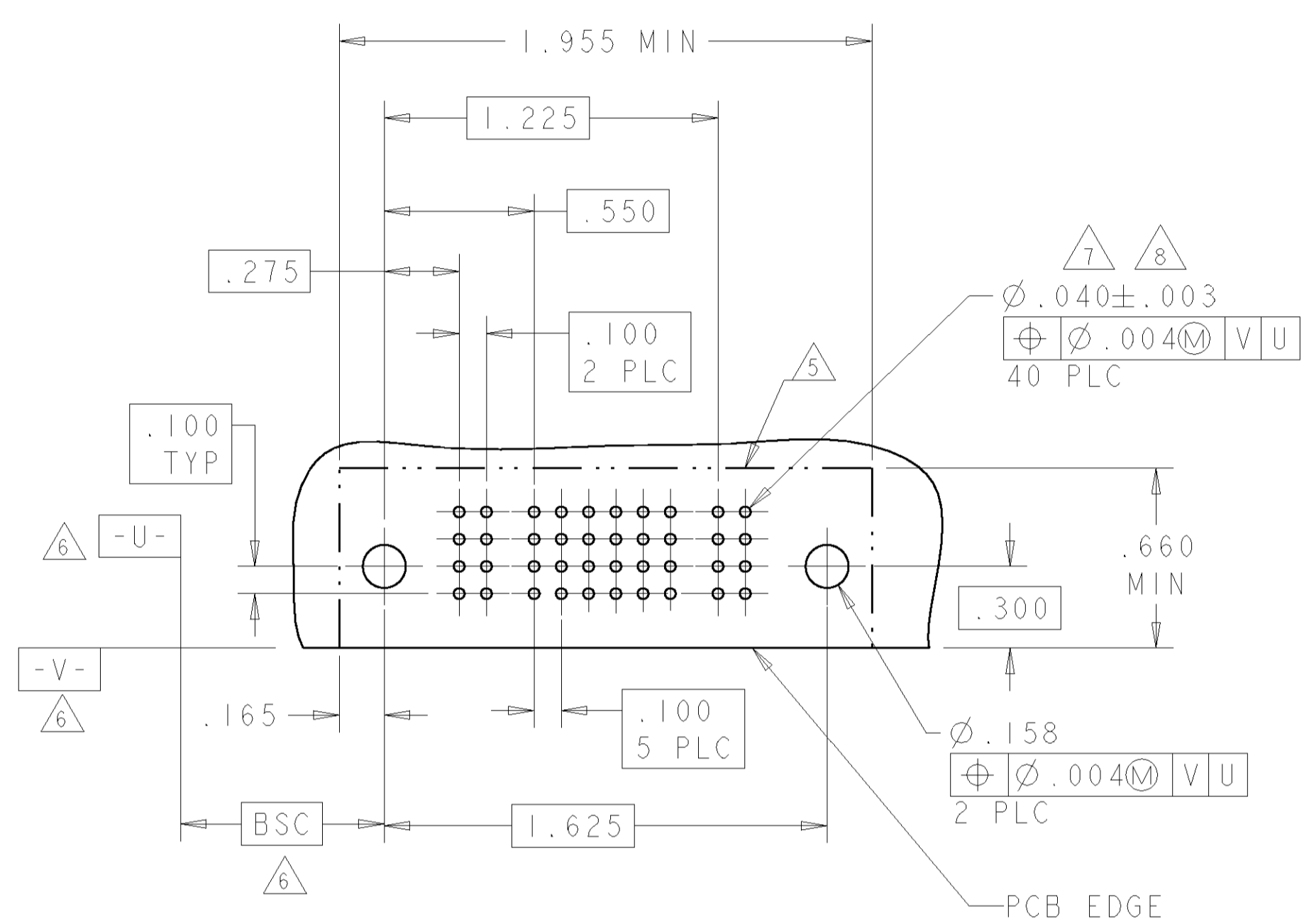
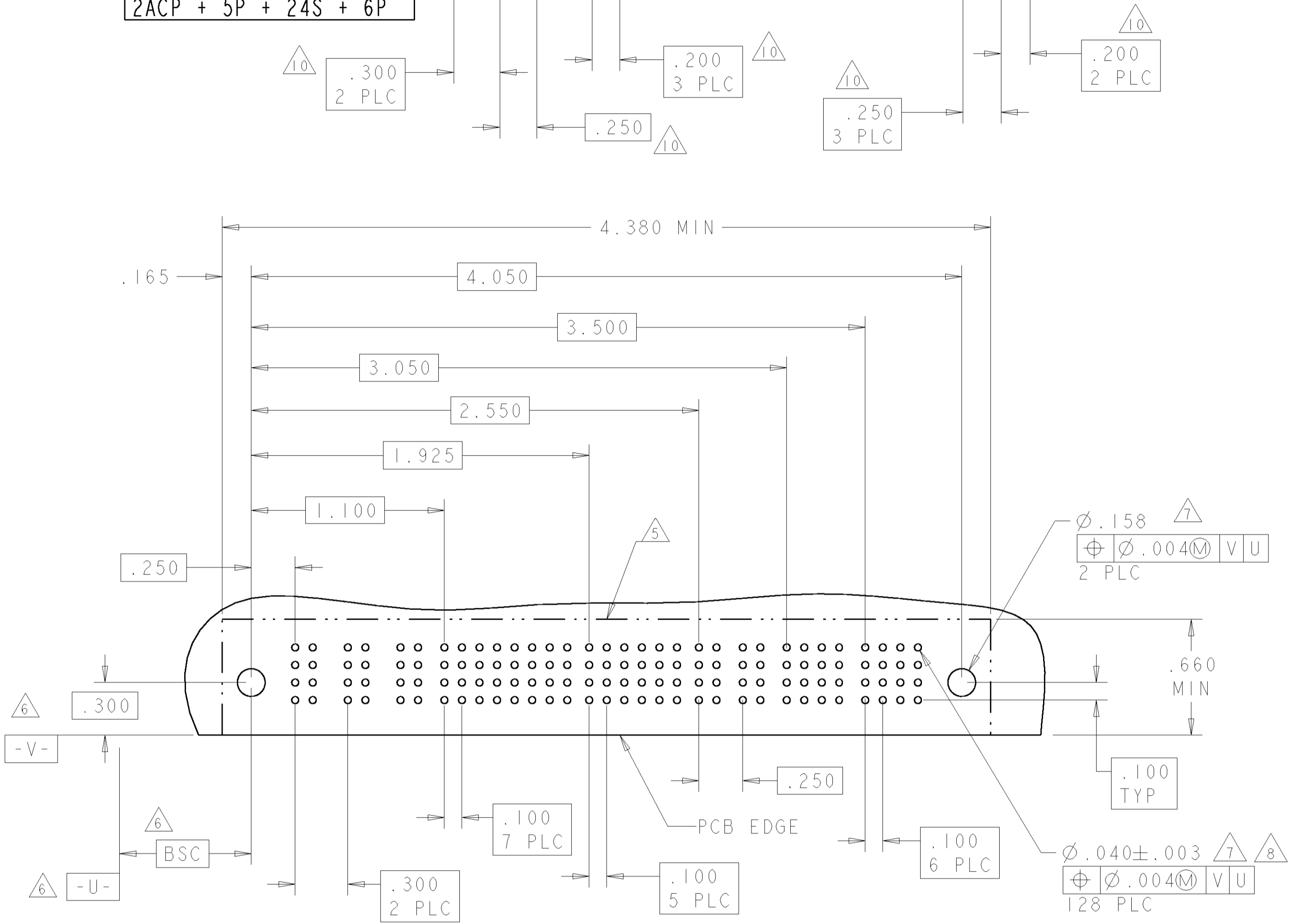


<small>THIS DRAWING IS UNPUBLISHED. RELEASED FOR PUBLICATION BY TYCO ELECTRONICS CORPORATION. ALL RIGHTS RESERVED.</small>		DWN: R. GRZYBOWSKI 28FEB05 ENR: M. PERCHERKE 28FEB05 APVD: M. PERCHERKE	Tyco Electronics Harrisburg, PA 17105-3608
DIMENSIONS: INCHES	TOLERANCES UNLESS OTHERWISE SPECIFIED: 0 PLC ± 1 PLC ±.01 2 PLC ±.01 3 PLC ±.005 4 PLC ±.002 ANGLES ±.020	NAME: RIGHT ANGLE HEADER ASSEMBLY PRODUCT SPEC: SOLDER TAILS, W/GUIDES APPLICATION SPEC: MULTI-BEAM XL	SIZE: A1 CAGE CODE: 00779 DRAWING NO: 6450330
MATERIAL: -	FINISH: -	WEIGHT: -	RESTRICTED TO: -
CUSTOMER DRAWING		SCALE: 11:4	SHEET 8 OF 8 REV B

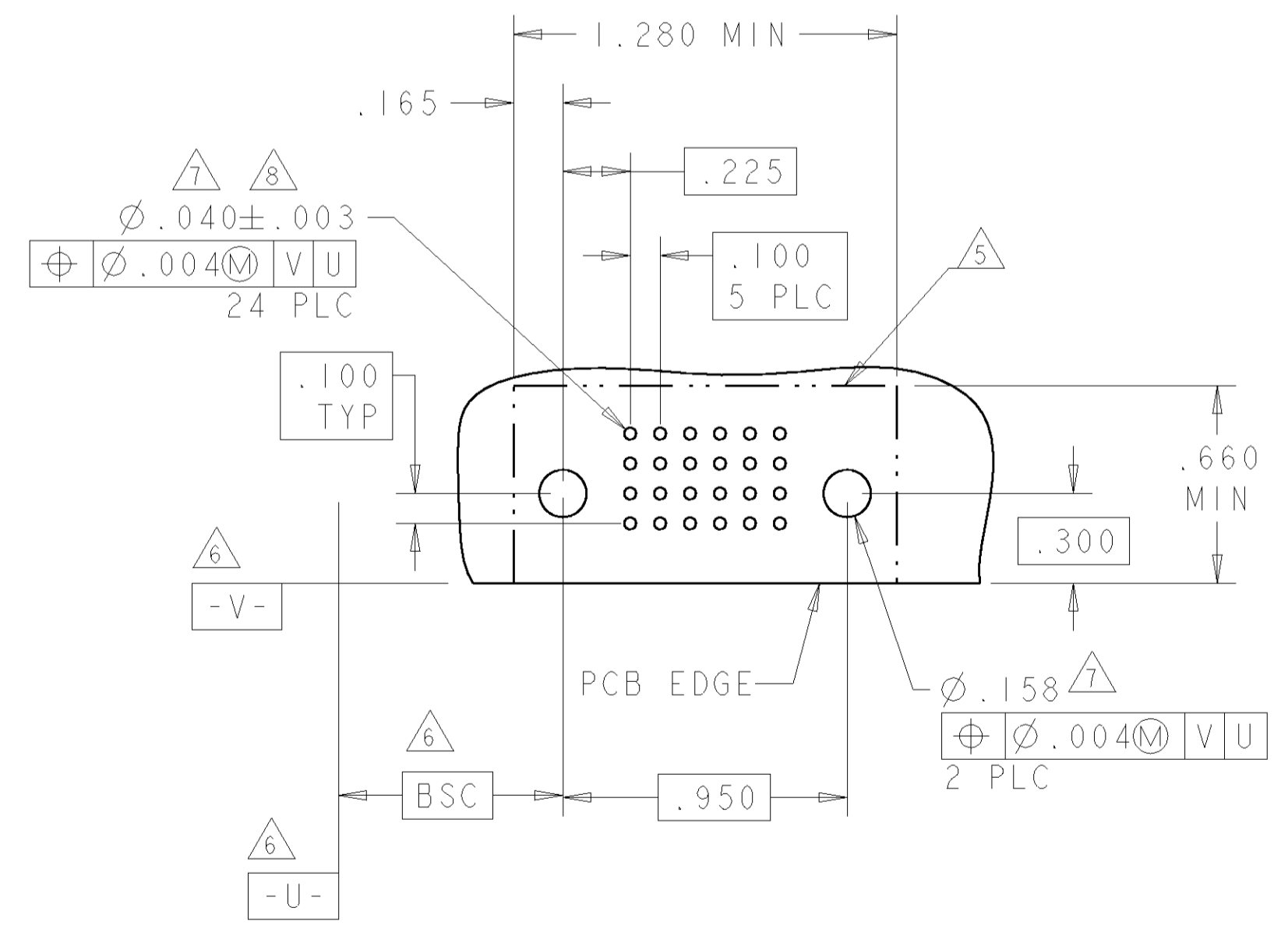
LOC	DIST	REVISIONS					
GP	00	P	LTR	DESCRIPTION	DATE	BY	APPD
		-	-	SEE SHEET 1	-	-	-

PART NUMBER	ROWS	POWER						SIGNAL						POWER					
		P1	P2	P3	P4	P5	P6	P7	1	2	3	4	5	6	P8	P9	P10	P11	P12
1-6450330-0	D C B A	PM	PM	PM	PM	PM	PM	J	J	J	J	J	J	PM	PM	PM	PM	PM	PM
								N	N	N	N	N	N						
								S	S	S	S	S	H						

PART NUMBER	ROWS	POWER						SIGNAL						POWER			
		P1	1	2	3	4	5	6	P2	1	2	3	4	5	6	P2	
1-6450330-1	D C B A	PM	J	J	J	J	J	J	F	K	K	K	K	K	F	PM	
			N	N	N	N	N	N	N	N	N	N	N	N	N		
			S	S	S	S	S	S	S	S	S	S	S	S	S		



PART NUMBER	ROWS	SIGNAL					
		1	2	3	4	5	6
1-6450330-2	D C B A	Z	Z	Z	Z	Z	Z
		Y	Y	Y	Y	Y	Y
		R	R	R	R	R	R
		O	O	O	O	O	O



<small>THIS DRAWING IS UNPUBLISHED. RELEASED FOR PUBLICATION BY T100 ELECTRONICS CORPORATION. ALL RIGHTS RESERVED.</small>		DWN: B. GRZYBOWSKI 28FEB05 ENR: M. PERCHERKE 28FEB05	AMP Tyco Electronics Harrisburg, PA 17105-3608
DIMENSIONS: INCHES	TOLERANCES UNLESS OTHERWISE SPECIFIED: 0 PLC ±. 1 PLC ±.01 2 PLC ±.01 3 PLC ±.005 4 PLC ±.002 ANGLES ±.0020	NAME: M. PERCHERKE PRODUCT SPEC: APPLICATION SPEC: WEIGHT: CUSTOMER DRAWING	NAME: RIGHT ANGLE HEADER ASSEMBLY SOLDER TAILS, W/GUIDES MULTI-BEAM XL SIZE: A1 CAGE CODE: 00779 DRAWING NO: 6450330 SCALE: 1:1 SHEET: 6 OF 8 REV: B

THIS DRAWING IS UNPUBLISHED. RELEASED FOR PUBLICATION 20
 © COPYRIGHT 20 BY TYCO ELECTRONICS CORPORATION. ALL RIGHTS RESERVED.

LOC	DIST	REVISIONS					
GP	00	P	LTR	DESCRIPTION	DATE	DWN	APVD
-	-	-	-	SEE SHEET 1	-	-	-

2.800	.300	.250	1.950	1.275	2.850	-	3.150	.475	3ACP + 24S + 4P	2-6450330-8
3.300	.250	.250	2.450	1.375	3.350	-	3.650	.450	4P + 40S + 4P	2-6450330-3
2.700	.200	.200	2.000	1.225	2.750	-	3.050	.450	4P + 28S + 4P	1-6450330-8
2.000	.250	.250	1.650	.925	2.050	-	2.350	.450	2P + 24S + 2P	1-6450330-4
3.150	.250	.250	2.300	1.625	3.200	-	3.500	.450	5P + 24S + 4P	1-6450330-3
.900	-	-	-	.375	.950	-	1.250	-	0P + 24S + 0P	1-6450330-2
1.575	.250	.250	1.425	.700	1.625	-	1.925	.475	1P + 24S + 1P	1-6450330-1
4.000	△0	△0	2.750	2.075	4.050	-	4.350	.450	2ACP + 5P + 24S + 6P	1-6450330-0
2.800	.250	.250	1.950	1.375	2.850	-	3.150	.450	4P + 20S + 4P	6450330-9
1.575	.250	.250	1.425	.700	1.625	-	1.925	.475	1P + 24S + 1P	6450330-8
3.300	.300	.250	1.950	1.275	3.350	-	3.650	.475	3ACP + 24S + 6P	6450330-7
1.900	NA	NA	.975	.625	1.950	-	2.250	.450	1P + 12S + 5P	6450330-6
4.000	NA	NA	2.750	2.075	4.050	-	4.350	.450	3ACP + 4P + 24S + 6P	6450330-5
2.550	.300	.250	2.150	1.525	2.600	-	2.900	.475	3ACP + 1P + 24S + 2P	6450330-4
4.350	.250	.250	3.500	2.625	4.400	-	4.700	.450	9P + 32S + 4P	6450330-3
1.575	.250	.250	1.425	.700	1.625	-	1.925	.475	1P + 24S + 1P	6450330-1
U	S	T	R	W	D	M	L	K	DESCRIPTION	PART NUMBER

△9
 △9
 △9
 △9
 △9
 △9
 △9

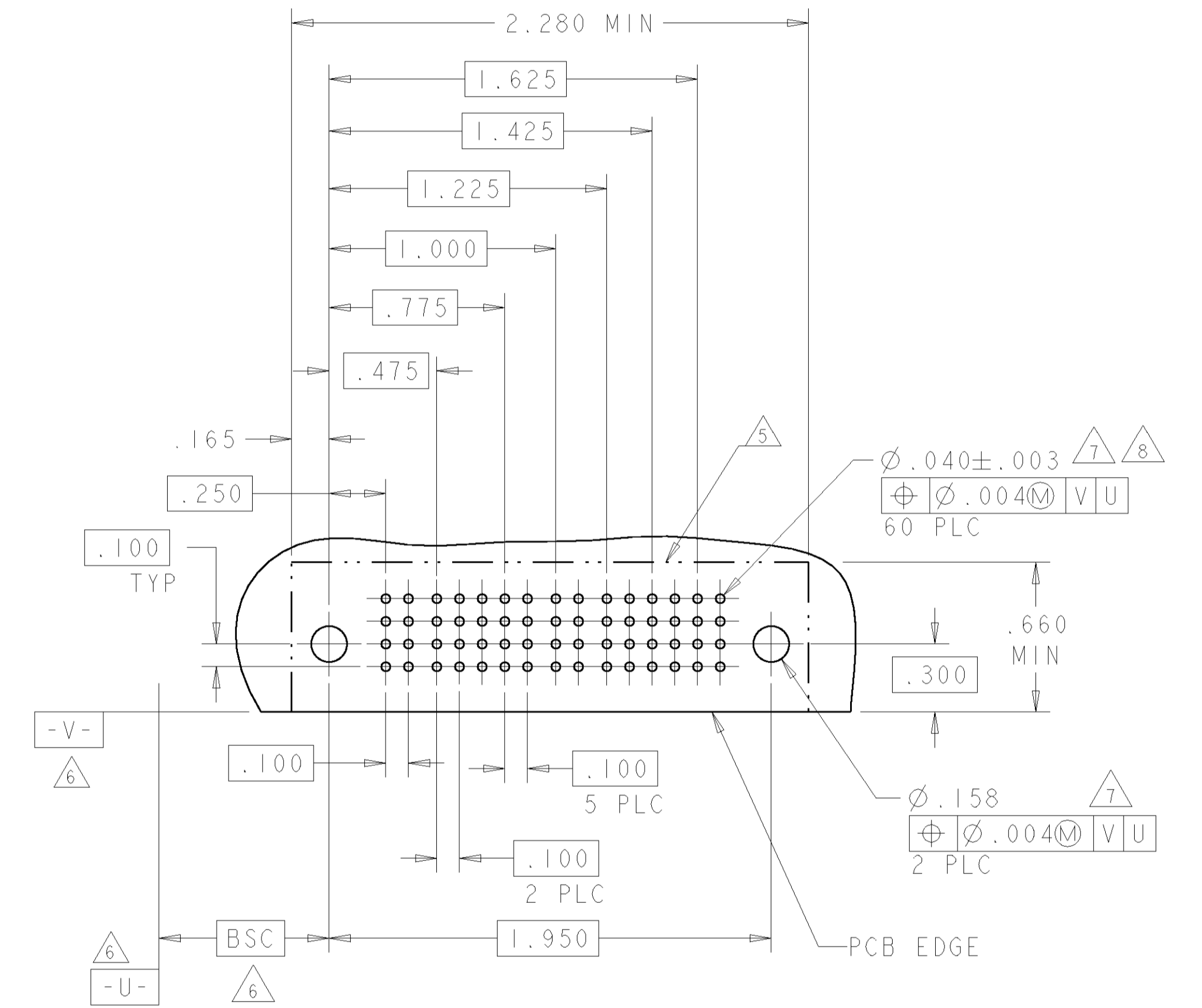
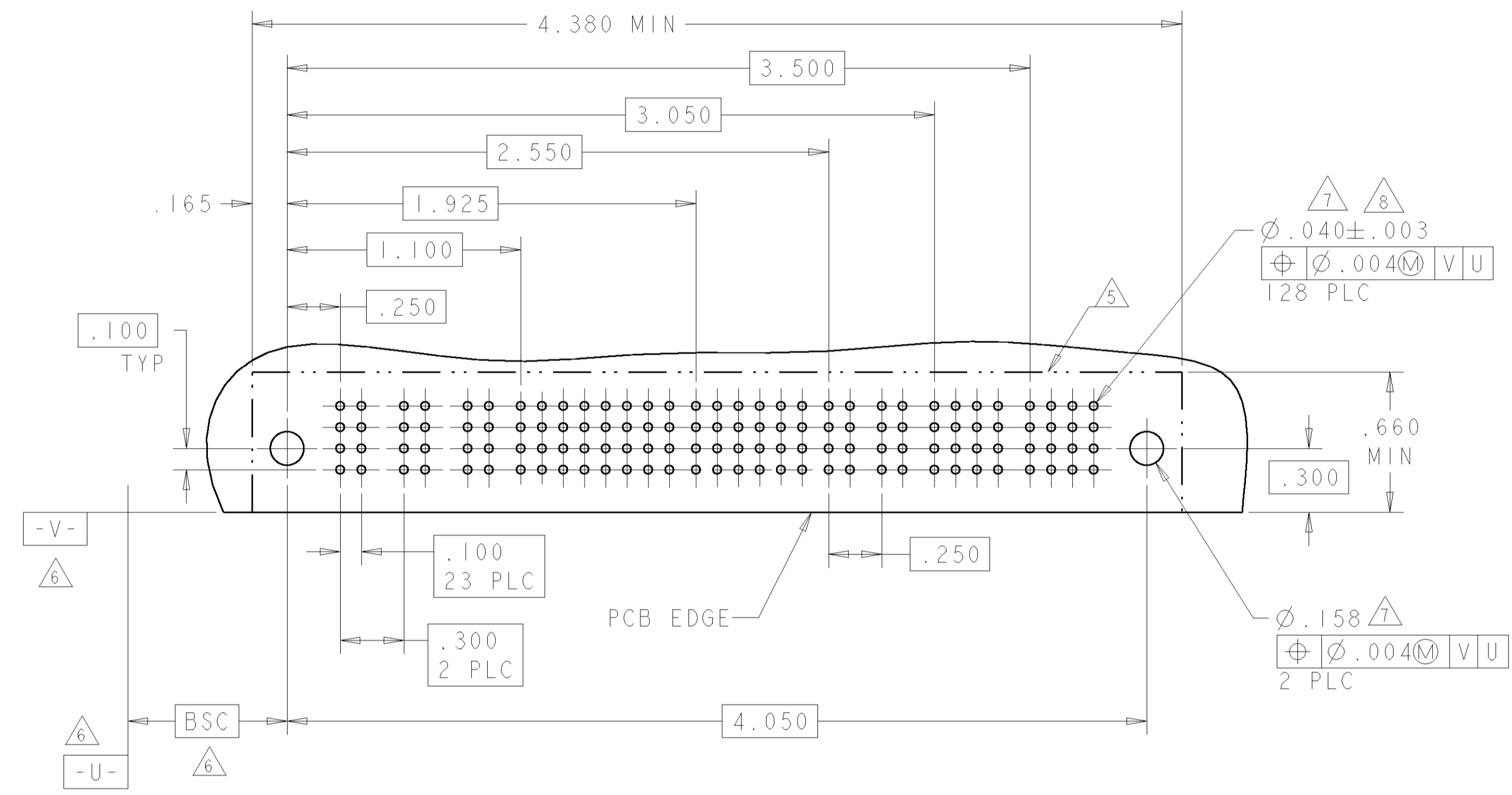
<small>THIS DRAWING IS UNPUBLISHED. RELEASED FOR PUBLICATION 20 © COPYRIGHT 20 BY TYCO ELECTRONICS CORPORATION. ALL RIGHTS RESERVED.</small>		DWN R. GRZYBOWSKI 28FEB05	Tyco Electronics Harrisburg, PA 17105-3608
DIMENSIONS: INCHES		ECH M. PERCHERKE 28FEB05	AMP
TOLERANCES UNLESS OTHERWISE SPECIFIED: 0 PLC ±. 1 PLC ±.01 2 PLC ±.01 3 PLC ±.005 4 PLC ±.0020 ANGLES ±.0020		APVD M. PERCHERKE	
		PRODUCT SPEC APPLICATION SPEC	NAME RIGHT ANGLE HEADER ASSEMBLY SOLDER TAILS, W/GUIDES MULTI-BEAM XL
MATERIAL FINISH		WEIGHT CUSTOMER DRAWING	SIZE CAGE CODE DRAWING NO 00779 6450330
		SCALE 1:1	SHEET 2 OF 8
		REV B	

LOC	DIST	P	LTR	REVISIONS	DATE	BY	APPD
GP	00			DESCRIPTION			
				SEE SHEET 1			

PART NUMBER	ROWS	POWER						SIGNAL						POWER					
		P1	P2	P3	P4	P5	P6	P7	1	2	3	4	5	6	P8	P9	P10	P11	P12
6450330-5	D	PM	PM	PM	PM	PM	PM	J	J	J	J	J	J	PM	PM	PM	PM	PM	PM
	K							K	K	K	K	K							
	N							N	N	N	N	N							
	S							S	S	S	S	H							
3ACP + 4P + 24S + 6P																			

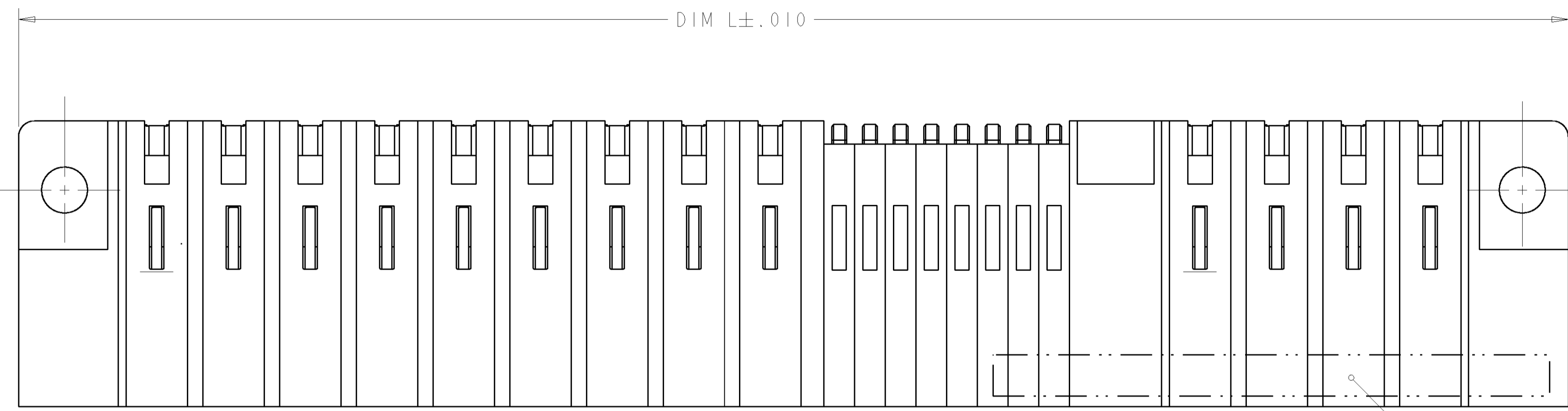
PART NUMBER	ROWS	POWER			SIGNAL			POWER				
		P1	1	2	3	P2	P3	P4	P5	P6		
6450330-6	D	PM	PM	PM	PM	J	J	J	PM	PM	PM	PM
	K					K	K					
	N					N	N					
	S					S	S					
1P + 12S + 5P												

Δ_{10} .225 Δ_{10} .225 Δ_{10} .200
 2 PLC

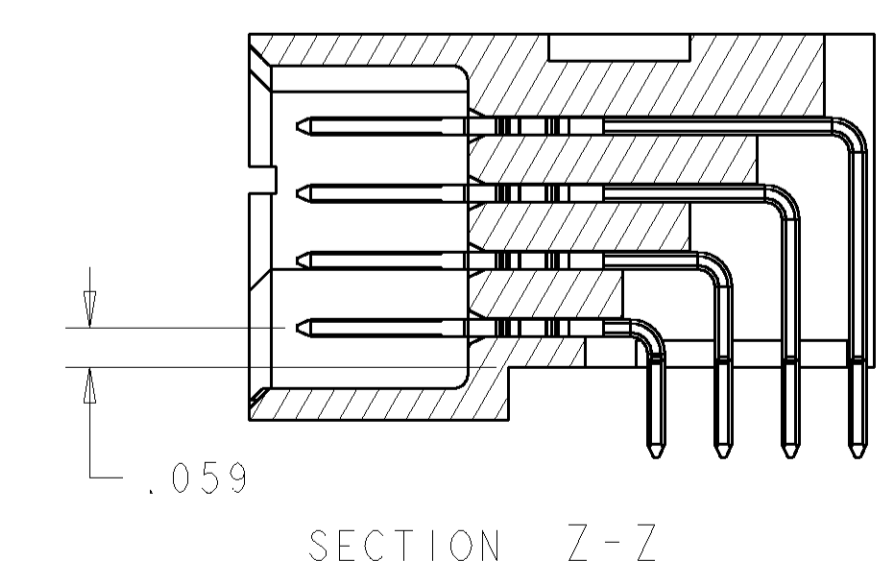
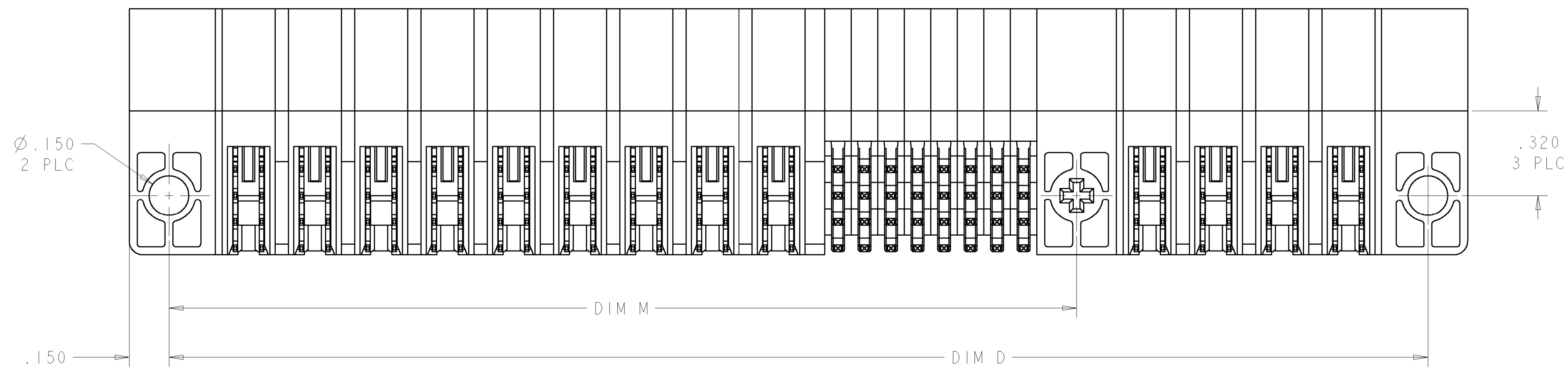
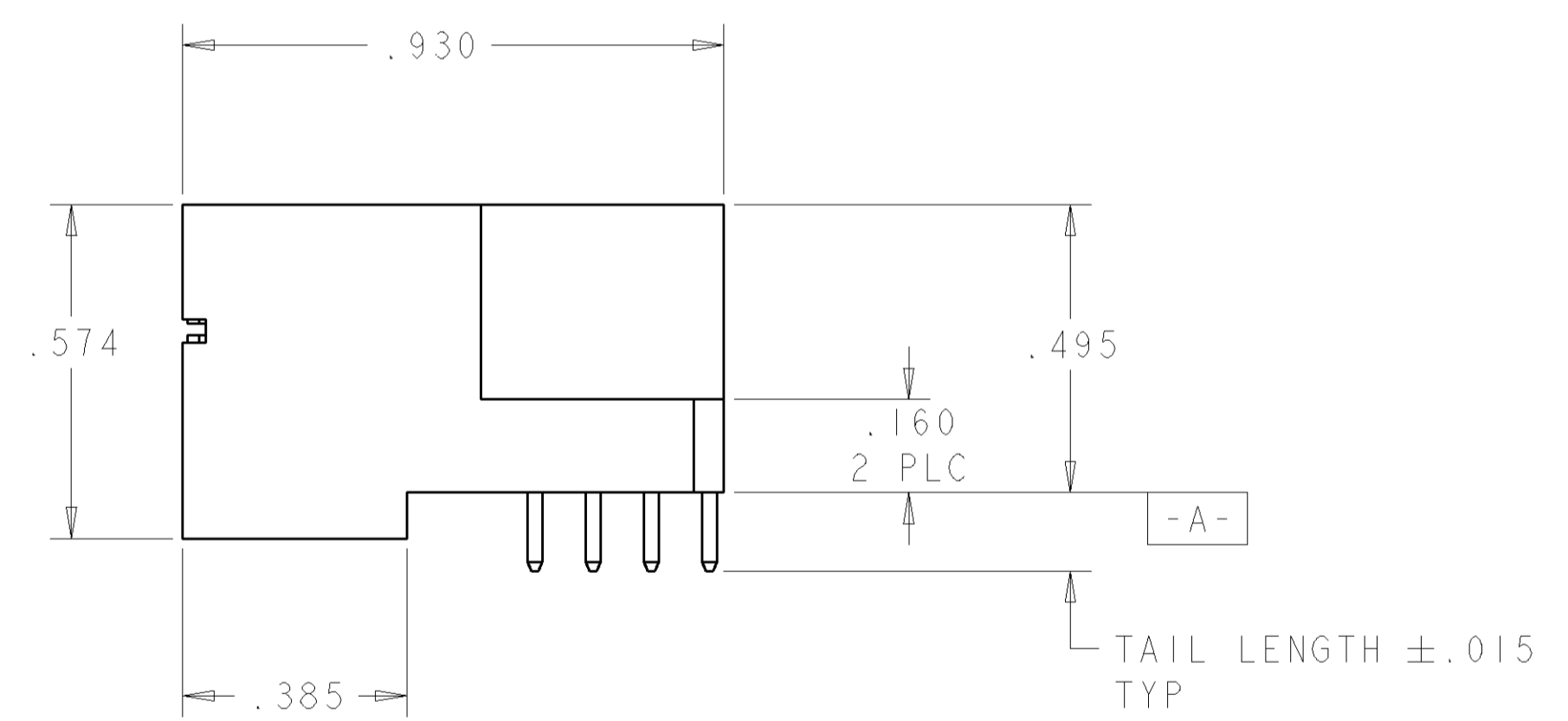
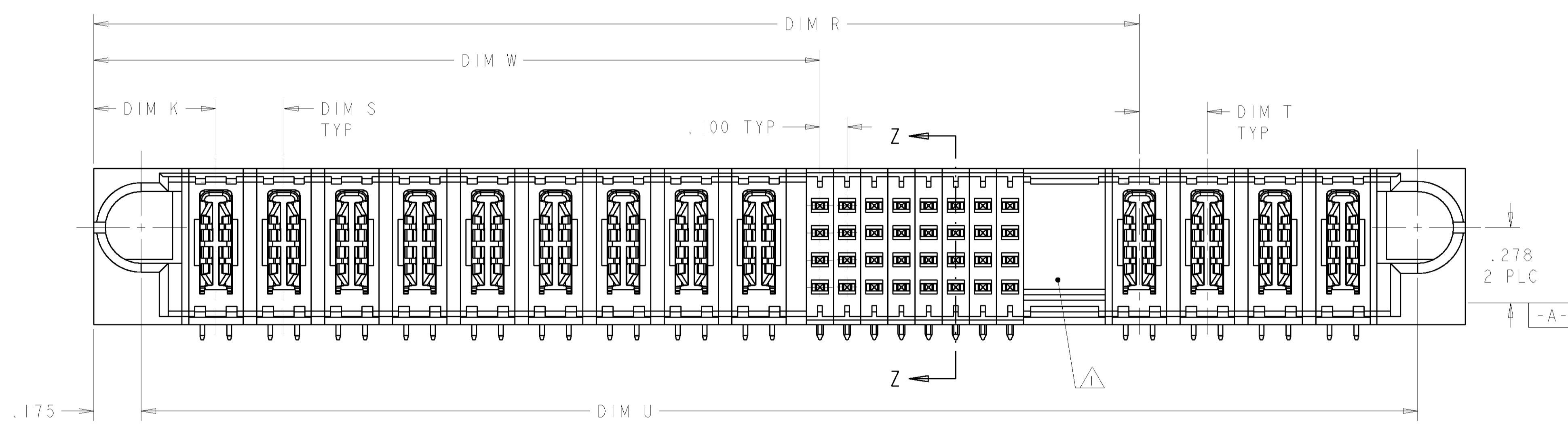


DIMENSIONS: INCHES 		TOLERANCES UNLESS OTHERWISE SPECIFIED: 0 PLC ±. 1 PLC ±.01 2 PLC ±.01 3 PLC ±.005 4 PLC ±.002 ANGLES ±.0020 FINISH		DWN R. GRZYBOWSKI 28FEB05 ENR M. PERCHERKE 28FEB05 APVD M. PERCHERKE PRODUCT SPEC APPLICATION SPEC WEIGHT CUSTOMER DRAWING		AMP Tyco Electronics Harrisburg, PA 17105-3608 NAME RIGHT ANGLE HEADER ASSEMBLY SOLDER TAILS, W/GUIDES MULTI-BEAM XL SIZE CAGE CODE DRAWING NO RESTRICTED TO A1 00779 C=6450330 SCALE 1:1 SHEET 4 OF 8 REV B	
---------------------------	--	---	--	--	--	--	--

LOC	DIST	REVISIONS					
GP	00	P	LTR	DESCRIPTION	DATE	DWN	APVD
		A		REV PER 0512-0650-04	28FEB2005	RG	MP
		B		REV PER 0512-0152-05	11MAR2005	RG	MP



- 1 OPTIONAL CENTER MODULE WITH Ø.150 THRU HOLE OR HOLD DOWN FEATURE.
- 2 "AMP", PART NUMBER, AND DATECODE TO BE MARKED IN AREA SHOWN. PARTS UNDER 2.00 LONG MAY BE MARKED ON BOTH SIDES.
- 3 MATERIAL: HOUSING - GLASS FILLED HIGH TEMP THERMO PLASTIC, UL94 V-0
 SIGNAL CONTACT - COPPER ALLOY
 POWER CONTACT - HIGH CONDUCTIVITY COPPER ALLOY
- 4 CONTACT PLATING: SIGNAL CONTACTS - .000050 MIN Ni UNDER ALL.
 .000030 MIN. Au ON CONTACT AREA. .000100 MIN Sn AT PCB INTERFACE.
 POWER CONTACTS - .000050 MIN Ni UNDER ALL.
 .000030 MIN. Au AT CONTACT AREA. .000100 MIN Sn AT PCB INTERFACE.
- 5 MECHANICAL CONNECTOR KEEP OUT ZONE.
- 6 DATUM AND BASIC DIMENSIONS ESTABLISHED BY CUSTOMER.
- 7 PCB - HOLE DIAMETERS ARE FINISHED HOLE SIZE.
- 8 PCB - .0453±.0010 DRILLED HOLES PLATED WITH .0003 MIN Sn OVER .001 TO .003 Cu PLATING TO ACHIEVE A .040 DIA HOLE.
- 9 NOT RELEASED FOR PRODUCTION
- 10 VARIABLE DIMENSIONS SHOWN ON VIEW (SHEET 5)

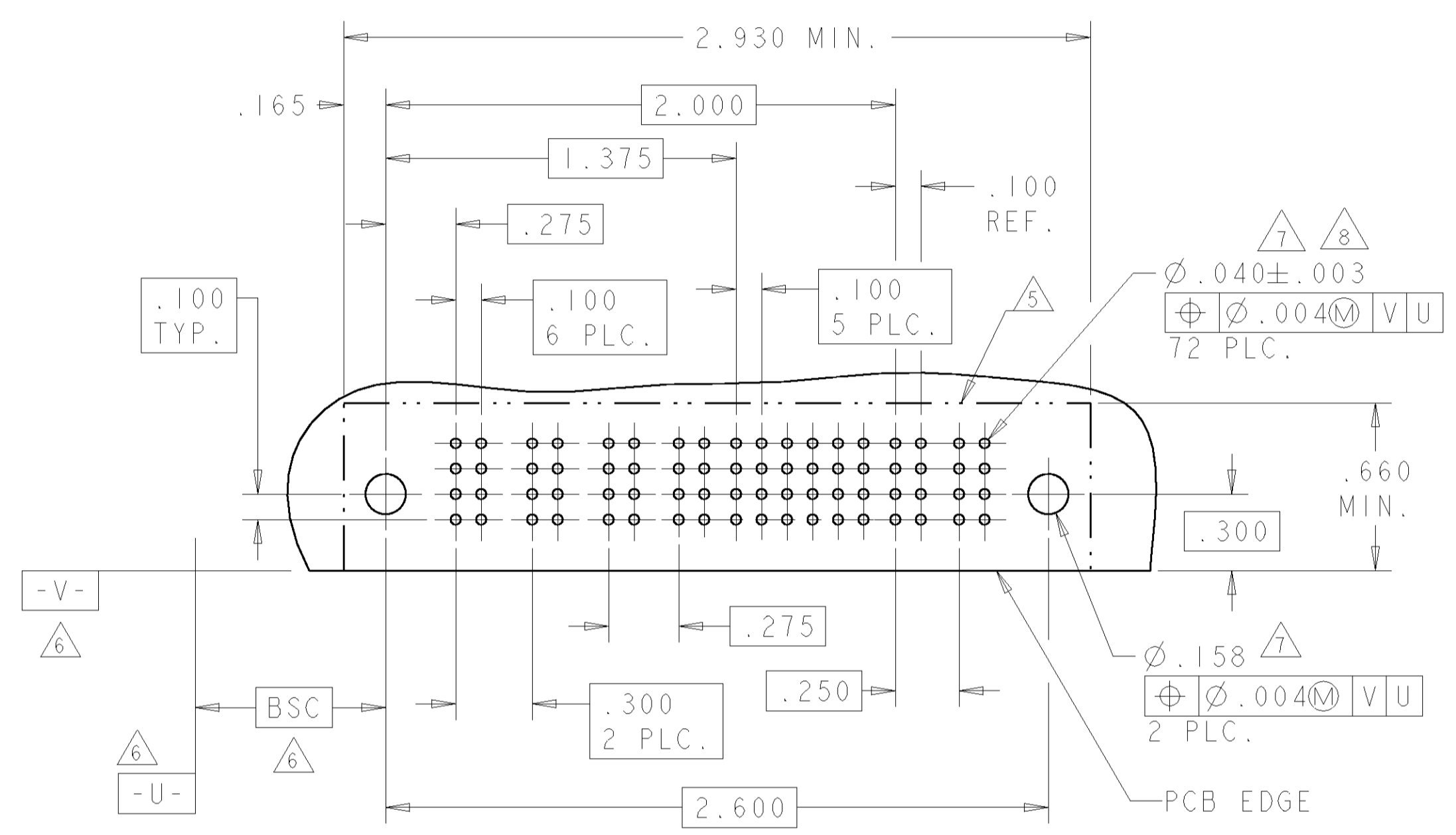
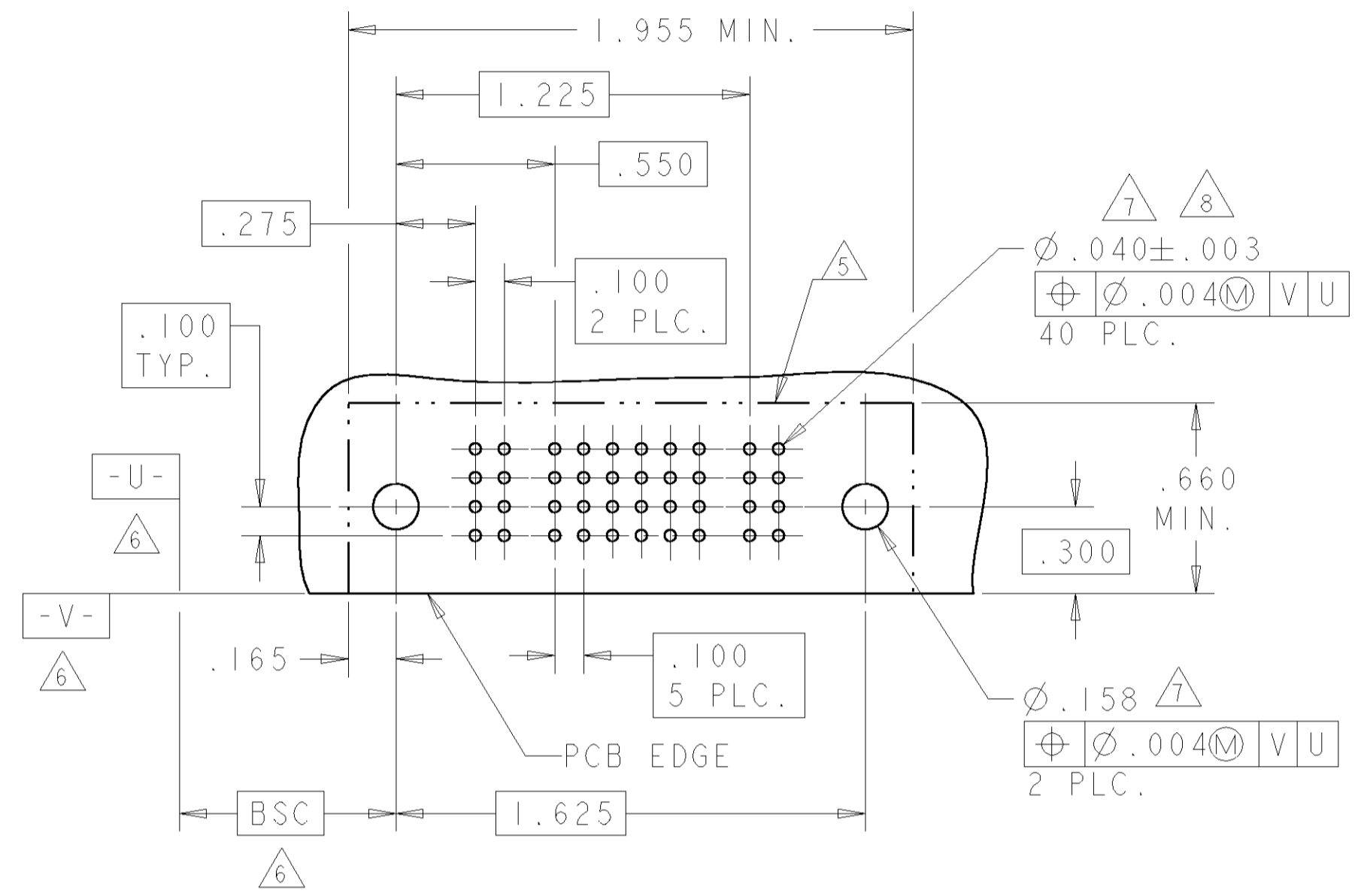


DIMENSIONS: INCHES 0 PLC ± 1 PLC ±.01 2 PLC ±.01 3 PLC ±.005 4 PLC ±.0020 ANGLES ±.020		TOLERANCES UNLESS OTHERWISE SPECIFIED: 0 PLC ± 1 PLC ±.01 2 PLC ±.01 3 PLC ±.005 4 PLC ±.0020 ANGLES ±.020		DWN: R. GRZYBOWSKI 28FEB05 ENR: M. PERCHERKE 28FEB05 APVD: M. PERCHERKE NAME: RIGHT ANGLE HEADER ASSEMBLY SOLDER TAILS, W/GUIDES MULTI-BEAM XL PRODUCT SPEC: 108-1973 APPLICATION SPEC: 114-13038 WEIGHT: - CUSTOMER DRAWING		Tyco Electronics Harrisburg, PA 17105-3608 SIZE: A1 CAGE CODE: 00779 DRAWING NO: C=6450330 SCALE: 1:1 SHEET: 1 OF 8 REV: B	
---	--	--	--	---	--	---	--

LOC		DIST		REVISONS			
GP	00	P	LTR	DESCRIPTION	DATE	BY	APVD
-	-	-	-	SEE SHEET 1	-	-	-

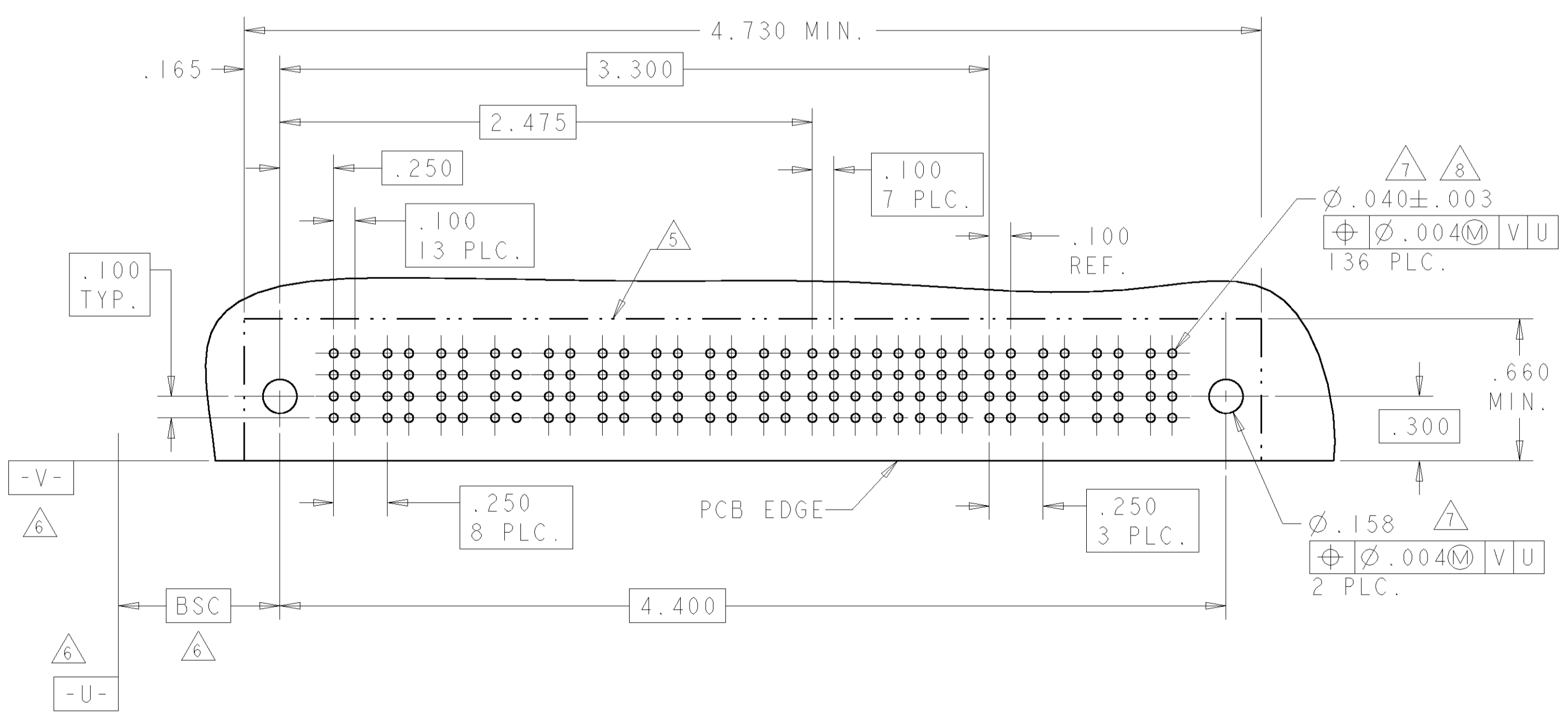
PART NUMBER	ROWS	POWER						SIGNAL						POWER					
		P1	1	2	3	4	5	6	P2	1	2	3	4	5	6	P5	P6		
6450330-1	D C B A	PM	PM	J	J	J	J	J	J	J	J	J	J	J	J	J	J	J	
				K	K	K	K	K	K	K	K	K	K	K	K	K	K	K	
				N	N	N	N	N	N	N	N	N	N	N	N	N	N	N	N
				S	S	S	S	S	S	S	S	S	S	S	S	S	S	S	S
IP + 24S + IP																			

PART NUMBER	ROWS	POWER				SIGNAL						POWER					
		P1	P2	P3	P4	1	2	3	4	5	6	P5	P6				
6450330-4	D C B A	PM	PM	PM	PM	E	J	J	J	J	E	E	E	E	E	E	
						K	K	F	K	K	K	K	K	K	K	K	
						N	N	N	N	N	N	N	N	N	N	N	N
						H	S	S	S	S	S	H	H	H	H	H	H
3ACP + IP + 24S + 2P																	



NO CONTACT LOADED

PART NUMBER	ROWS	POWER									SIGNAL								POWER											
		P1	P2	P3	P4	P5	P6	P7	P8	P9	1	2	3	4	5	6	7	8	P10	P11	P12	P13								
6450330-3	D C B A	PM	PM	PM	PM	PM	PM	PM	PM	PM	J	J	J	J	J	E	E	E	E	E	E	E								
											K	K	K	K	K	K	K	K	K	K	K	K	K	K	K	K	K	K		
											N	N	N	N	N	N	N	N	N	N	N	N	N	N	N	N	N	N	N	N
											S	S	S	S	S	S	S	S	S	S	S	S	S	S	S	S	S	S	S	S
9P + 32S + 4P																														



Z	STD	.090	D
Y	STD	.090	C
R	STD	.090	B
O	STD	.090	A
A4	MLBF	.090	D
A3	MLBF	.090	C
A2	MLBF	.090	B
A1	MLBF	.090	A
E	MLBF	.135	D
F	MLBF	.135	C
G	MLBF	.135	B
H	MLBF	.135	A
J	STD	.135	D
K	STD	.135	C
N	STD	.135	B
S	STD	.135	A
CODE	MATING SEQUENCE	TAIL LENGTH	ROW

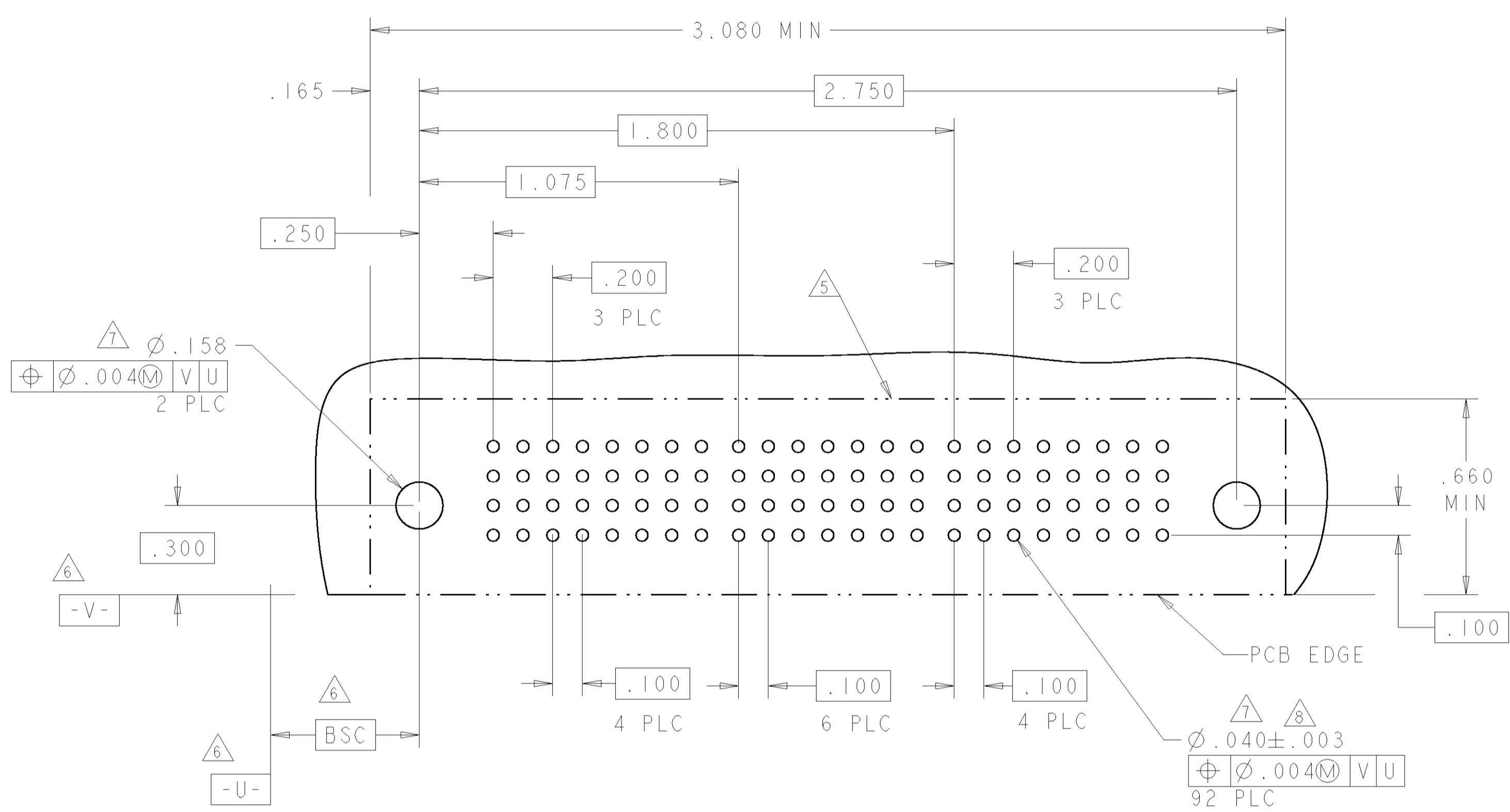
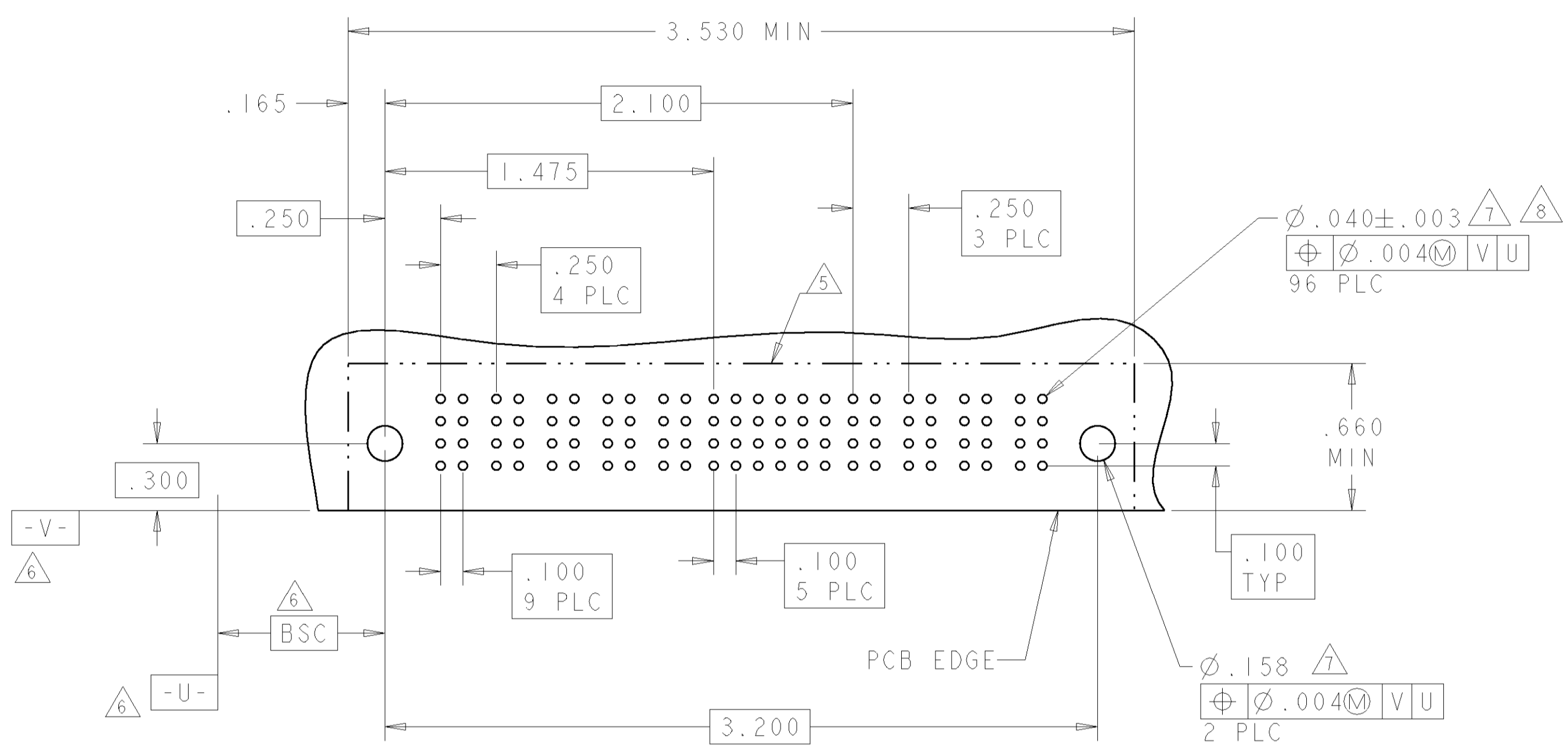
PA	PM
.090	.135
CODE	TAIL LENGTH
POWER CONTACT	SIGNAL CONTACT

<small>THIS DRAWING IS UNPUBLISHED. RELEASED FOR PUBLICATION. ALL RIGHTS RESERVED. THIS DRAWING IS THE PROPERTY OF TYCO ELECTRONICS CORPORATION. IT IS TO BE USED ONLY FOR THE PURPOSES AND IN THE QUANTITIES SPECIFIED IN THE ORDER. IT IS TO BE RETURNED TO TYCO ELECTRONICS CORPORATION UPON THE COMPLETION OF THE PROJECT.</small>		DWN: B. GRZYBOWSKI ENR: M. PERCHERKE APVD: M. PERCHERKE	28FEB05 28FEB05 NAME: M. PERCHERKE	AMP Tyco Electronics Harrisburg, PA 17105-3608
DIMENSIONS: INCHES:	TOLERANCES UNLESS OTHERWISE SPECIFIED: 0 PLC ±.01 1 PLC ±.01 2 PLC ±.01 3 PLC ±.005 4 PLC ±.002 ANGLES ±.0020	PRODUCT SPEC: APPLICATION SPEC: WEIGHT: FINISH:	NAME: PRODUCT SPEC: APPLICATION SPEC: WEIGHT: FINISH:	SIZE: CAGE CODE DRAWING NO. RESTRICTED TO: A1 00779 C=6450330 SCALE: 1:1 SHEET 3 OF 8 REV B
MATERIAL: - FINISH: -		CUSTOMER DRAWING		SCALE: 1:1 SHEET 3 OF 8 REV B

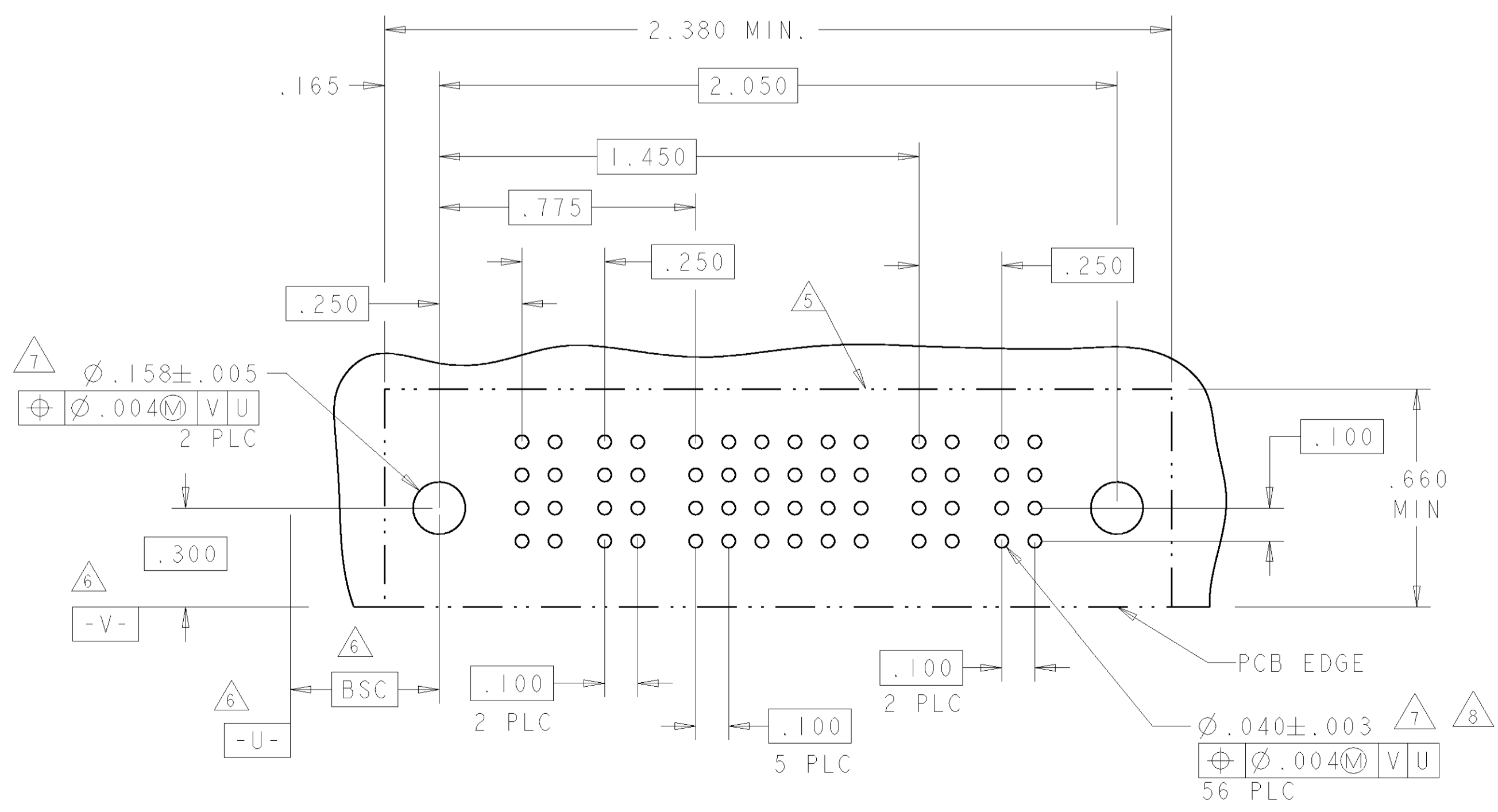
LOC	DIST	P	LTR	DESCRIPTION	DATE	DWN	APVD
GP	00	-	-	SEE SHEET 1	-	-	-

PART NUMBER	ROWS	POWER					SIGNAL						POWER			
		P1	P2	P3	P4	P5	1	2	3	4	5	6	P6	P7	P8	P9
I-6450330-3	D C B A	PA	PA	PA	PA	PA	Z	Z	Z	Z	Z	Z	PA	PA	PA	PA
		PA	PA	PA	PA	PA	Y	Y	Y	Y	Y	Y	PA	PA	PA	PA
		PA	PA	PA	PA	PA	R	R	R	R	R	R	PA	PA	PA	PA
5P + 24S + 4P							AI	AI	AI	AI	O	O				

PART NUMBER	ROWS	POWER				SIGNAL							POWER			
		P1	P2	P3	P4	1	2	3	4	5	6	7	P5	P6	P7	P8
I-6450330-8	D C B A	PM	PM	PM	PM	J	J	J	J	J	J	J	PM	PM	PM	PM
		PM	PM	PM	PM	K	K	K	K	K	K	K	PM	PM	PM	PM
		PM	PM	PM	PM	N	N	N	G	N	N	N	PM	PM	PM	PM
4P + 28S + 4P						S	S	S	S	S	S					



PART NUMBER	ROWS	POWER		SIGNAL						POWER	
		P1	P2	1	2	3	4	5	6	P3	P4
I-6450330-4	D C B A	PM	PM	J	J	E	J	J	J	PM	PM
		PM	PM	K	K	K	K	K	K	PM	PM
		PM	PM	N	N	G	N	N	N	PM	PM
2P + 24S + 2P				S	S	S	S	S	S		



DIMENSIONS: INCHES:		TOLERANCES UNLESS OTHERWISE SPECIFIED: 0 PLC ± 1 PLC ±.01 2 PLC ±.01 3 PLC ±.005 4 PLC ±.002 ANGLES ±.020		DWN: R. GRZYBOWSKI 28FEB05 ENR: M. PERCHERKE 28FEB05 APVD: M. PERCHERKE PRODUCT SPEC APPLICATION SPEC WEIGHT CUSTOMER DRAWING		Tyco Electronics Harrisburg, PA 17105-3608 NAME: RIGHT ANGLE HEADER ASSEMBLY SOLDER TAILS, W/GUIDES MULTI-BEAM XL SIZE: A1 CAGE CODE: 00779 DRAWING NO: 6450330 SCALE: 3:1 SHEET: 7 OF 8 REV: B	
------------------------	--	---	--	---	--	---	--

