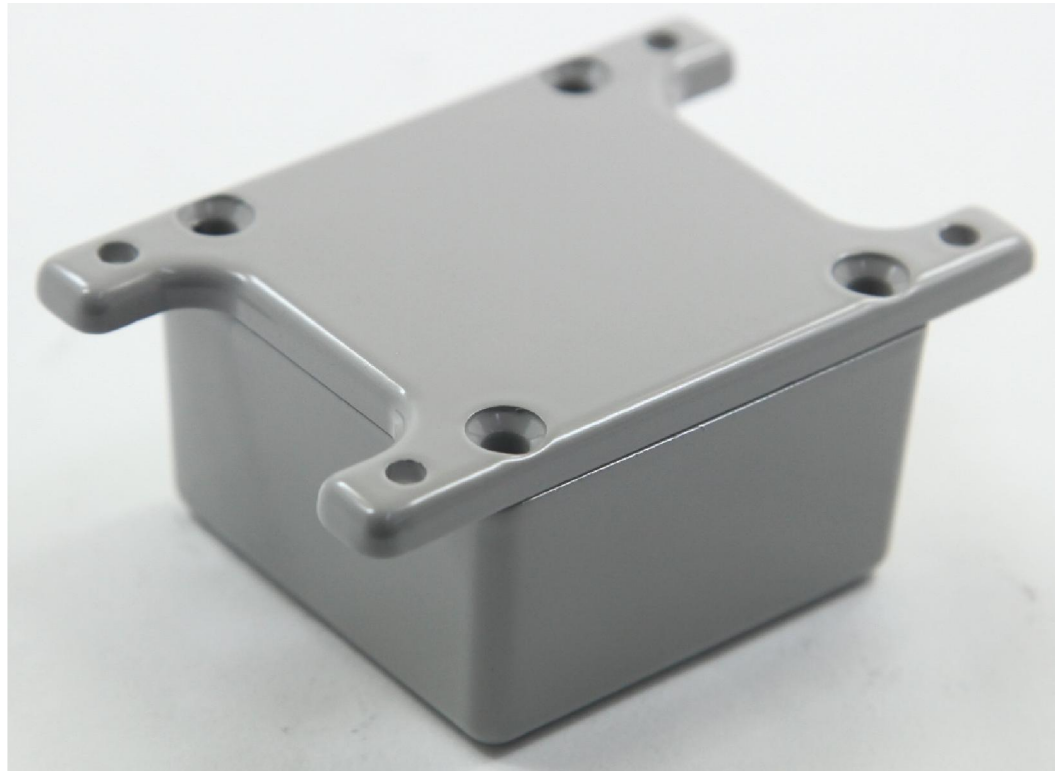
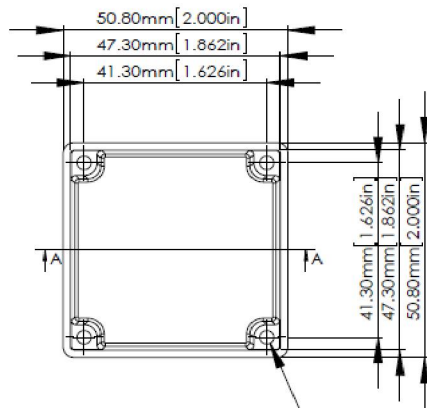


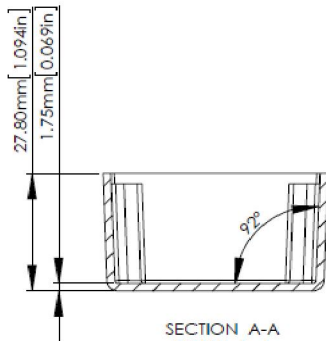


RS Stock No.1465354

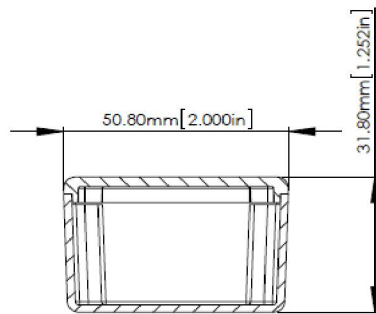




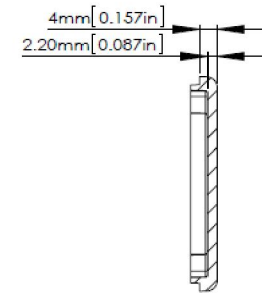
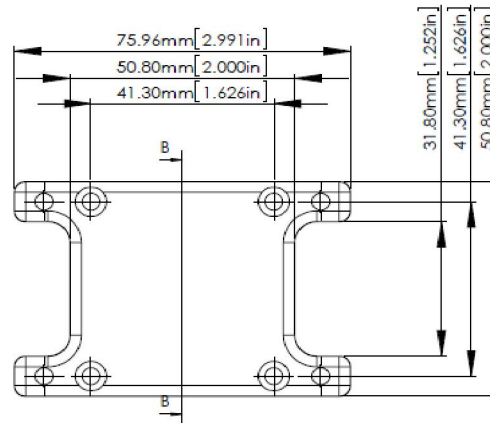
FOUR (4) #6-32X5/8"  
SELF-TAPPING SCREWS.



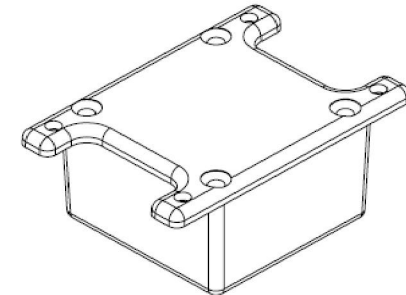
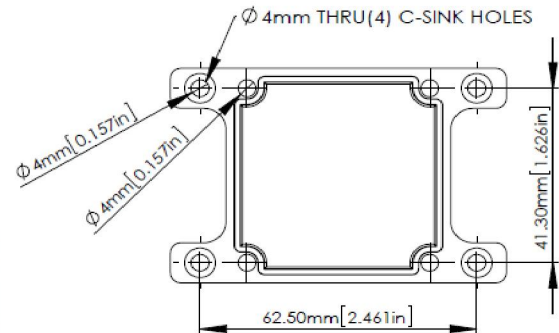
SECTION A-A  
SCALE 1 : 1



ASSEMBLY



SECTION B-B  
SCALE 1 : 1



According to ISO 2768-m

Measuring DIM=L	Tolerances
0.5<L<=3.0mm	±0.1mm
3.0<L<=6.0 mm	±0.1mm
6.0<L<=30.0 mm	±0.2mm
30.0<L<=120.0 mm	±0.3mm
120.0<L<=400.0 mm	±0.5mm
400.0<L<=1000.0 mm	±0.8mm