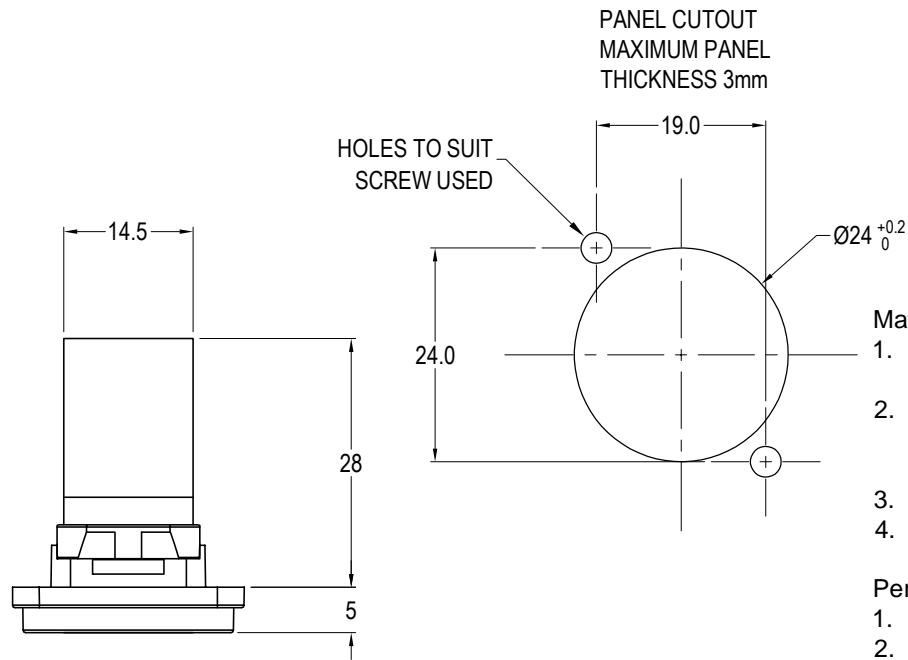
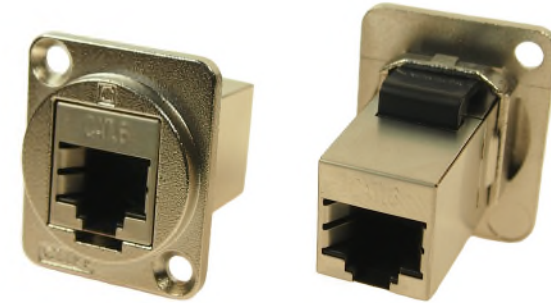


ISS.	AMEND	DATE
1	1st DRAWN	04/09/15
2	ADD M3 VARIANT	16/07/18
3	ADD MIN MAX TEMP	30/06/20



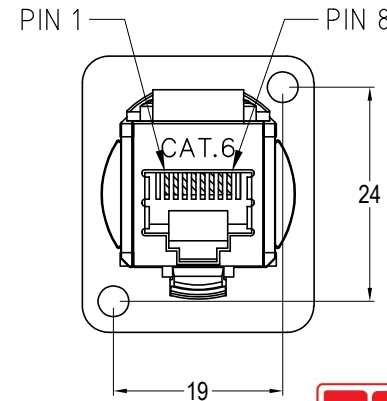
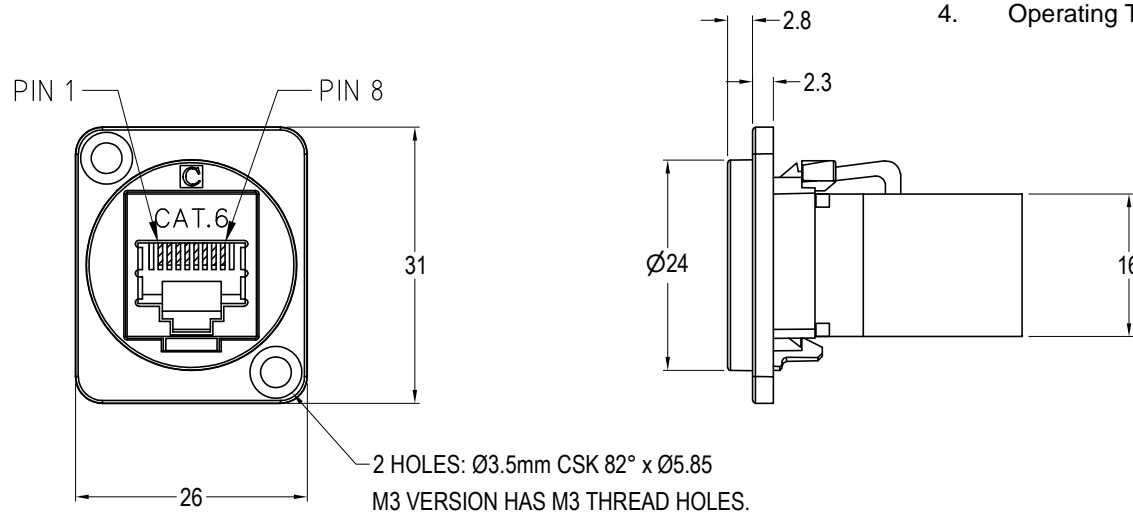
**Material:**

1. RJ45 In-Line Coupler: ABS, UL 94V-0, Black colour, Fully Shielded
2. RJ45 In-Line Coupler Contact: Phosphor Bronze, 3-50 micro inches gold plating over nickel plate.
3. PCB: FR4, UL 94V-0
4. Frame: Nickel plated zinc diecast

**Performance:**

1. T568A & T568B wiring.
2. Meet ISO/IEC 11801 and EN50173
3. Meet ANSI/TIA/EIA 568B.2
4. Operating Temperatures: Min -10°C Max +70°C

VARIANTS	
PART No.	HOLE DETAILS
907-5668	HOLE $\varnothing 3.50$ x CSK $82^\circ$ x $\varnothing 5.85$
175-0145	M3 HOLES



**RoHS**  
COMPLIANT

**TOLERANCE**  
NO DEC. PLACE  $\pm$   
1 DEC. PLACE  $\pm$   
2 DEC. PLACE  $\pm$   
HOLE  $\varnothing$   $\pm$   
ANGLES  $\pm$   
UNLESS OTHERWISE STATED

DIMENSIONS IN MILLIMETERS UNLESS OTHERWISE STATED. WORK TO DIMENSIONS. REMOVE ALL BURRS. IF IN DOUBT ASK. 3rd ANGLE PROJECTION:

MATERIAL: See Notes TITLE: FT METAL FTP CAT6 RJ45 SHIELDED

FINISH: See Notes

DRAWN: D.P.J. APPROVED: D.P.J. DRWG. No. 907-5668 FORM: A4DRWGH