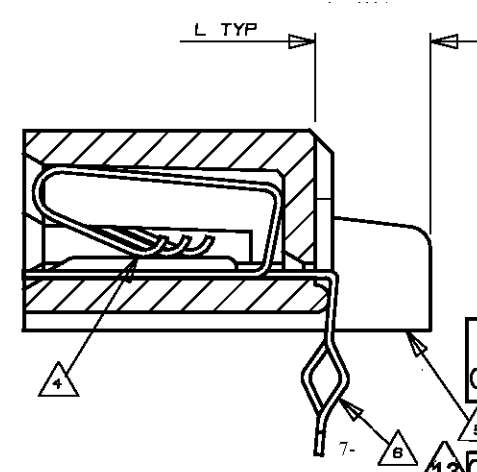
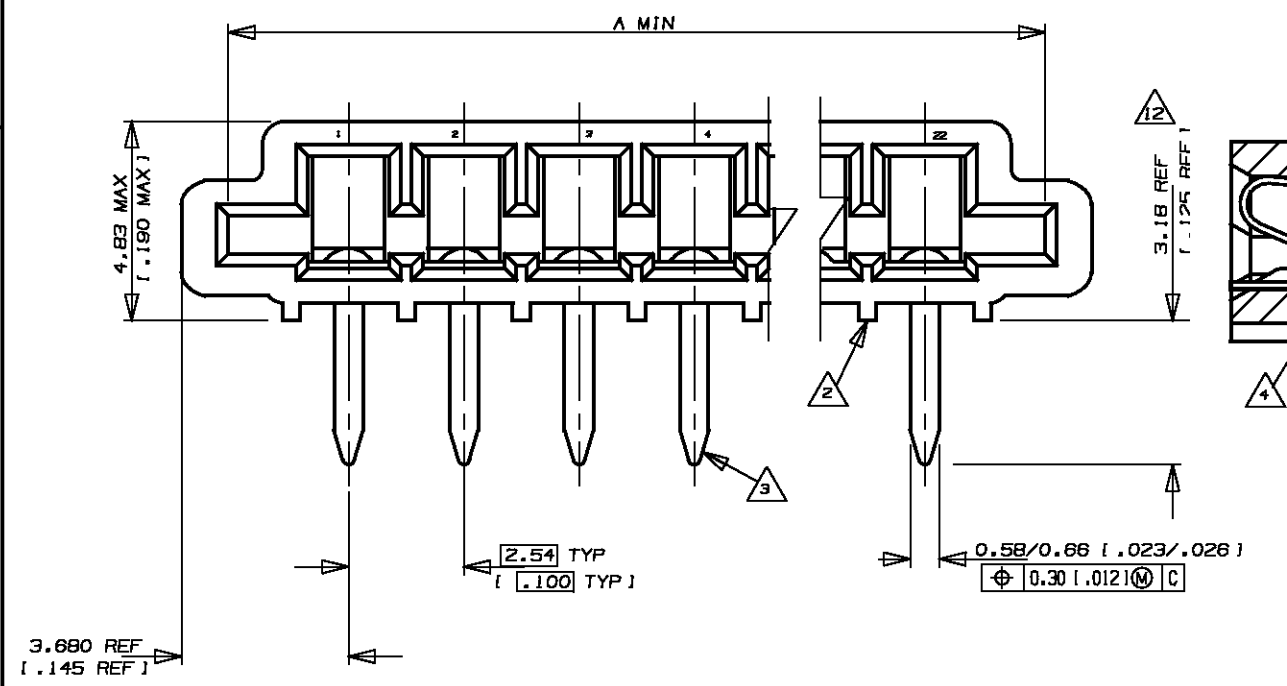
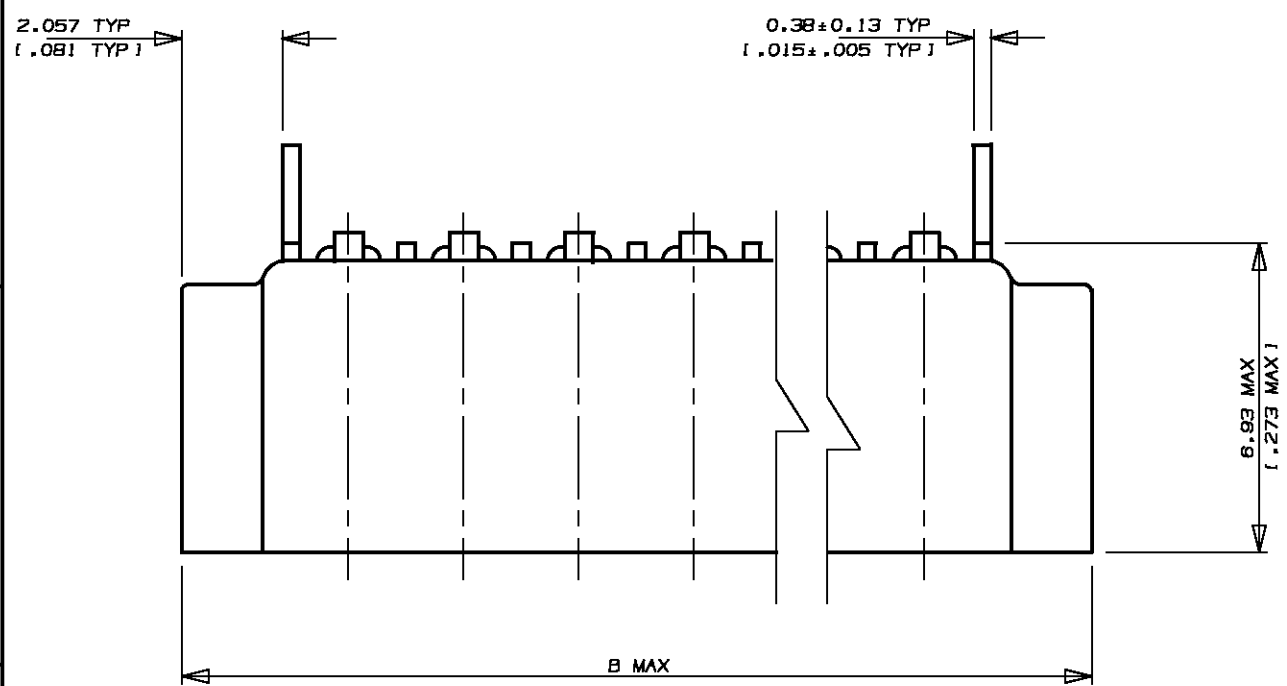


487508
METRIC

DIMENSIONS IN MM (INCHES). DO NOT SCALE PRINT

PRINT DIST



- NOTES
- 1 CONNECTOR WILL ACCEPT FLEXIBLE PRINTED CIRCUIT OR FLAT FLEXIBLE CABLE ON 2.54 (.100) CENTERS IN A THICKNESS RANGE OF 0.127 TO 0.381 (.005 TO .015) IN CONTACT AREA
 - 2 STAND-OFFS PREVENT SOLVENT ENTRAPMENT
 - 3 LEAD-IN ON PINS FOR EASE OF INSERTION INTO BOARD
 - 4 SEQUENTIAL CONTACTS REDUCE CABLE INSERTION FORCE
 - 5 STABILIZING WING MAY BE REMOVED BY CUSTOMER IF NECESSARY
 - 6 ALTERNATING CONTACT FORM RETAINS CONNECTOR IN P.C. BOARD DURING SOLDER OPERATION
 - 7 ACCEPTS CABLE OR CIRCUITRY WITH EXPOSED CONDUCTORS FACING TOWARD OR AWAY FROM THE BOARD SURFACE
 - 8 REFER TO APPLICATION SPEC 114-2062
 - 9 MATERIAL
HOUSING : GLASS REINFORCED POLYESTER
THERMOPLASTIC UL 94 VO RATED, BLACK
CONTACT : PHOS BRONZE
 - 10 CONNECTOR IS HIGH NORMAL PROCE
 - 11 MATTE TIN, 0.005 (.0002) MIN THK OVER COPPER 0.003 (.00015) MIN THK ON ENTIRE CONTACT
 - 12 AREA INDICATED SHALL MEET SOLDERABILITY SPEC 109-11-1
 - 13 OBSOLETE PARTS: OBSOLETE CIS STREAMLINING PER D.RENAUD/D.SINISI

	LEAD FREE				SUPERSEDED	
487508-8	1.067 [.042]	25.22 [.993]	23.01 [.906]	8	2-487508-8	
487508-1		80.78 [2.393]	58.57 [2.306]	22	2-487508-1	
487508-0		58.24 [2.293]	56.03 [2.206]	21	2-487508-0	
487508-9		55.70 [2.193]	53.49 [2.106]	20	1-487508-9	
6-487508-8		53.16 [2.093]	50.95 [2.006]	19	1-487508-8	
487508-7		50.62 [1.993]	48.41 [1.906]	18	1-487508-7	
487508-6		48.08 [1.893]	45.87 [1.806]	17	1-487508-6	
6-487508-5		45.54 [1.793]	43.33 [1.706]	16	1-487508-5	
487508-4		43.00 [1.693]	40.79 [1.606]	15	1-487508-4	
6-487508-3		40.46 [1.593]	38.25 [1.506]	14	1-487508-3	
6-487508-2		37.92 [1.493]	35.71 [1.406]	13	1-487508-2	
487508-1		35.38 [1.393]	33.17 [1.306]	12	1-487508-1	
6-487508-0		32.84 [1.293]	30.63 [1.206]	11	1-487508-0	
487508-9		30.30 [1.193]	28.09 [1.106]	10	487508-9	
5-487508-8		27.76 [1.093]	25.55 [1.006]	9	487508-8	
5-487508-7		25.22 [.993]	23.01 [.906]	8	487508-7	
5-487508-6		22.68 [.893]	20.47 [.806]	7	487508-6	
5-487508-5		20.14 [.793]	17.93 [.706]	6	487508-5	
5-487508-4		17.60 [.693]	15.39 [.606]	5	487508-4	
5-487508-3		15.06 [.593]	12.85 [.506]	4	487508-3	
487508-2		12.52 [.493]	10.31 [.406]	3	487508-2	
487508-1	2.540 [.100]	9.98 [.393]	7.77 [.306]	2	487508-1	

PART NO	L	B	A	POS	PART NO																																				
Copyright ©1993 TE MANUFACTURING (SINGAPORE) PTE. LTD. ALL RIGHTS RESERVED.																																									
<table border="0"> <tr> <td>(WIRE RANGE)</td> <td>(INSULATION DIA.)</td> <td>(NAME)</td> <td colspan="3"></td> </tr> <tr> <td>mm² (AWG -)</td> <td>- mm</td> <td>TRIOMATE HORIZONTAL CABLE ENTRY FOR 1.57 [.062] THK P.C. BOARD</td> <td colspan="3"></td> </tr> <tr> <td>(MATERIAL)</td> <td>(FINISH)</td> <td>(GENERAL TOLERANCE)</td> <td>SIZE</td> <td>LOC</td> <td>(No.)</td> </tr> <tr> <td>9</td> <td>11</td> <td>± 0.38 [± .015]</td> <td>A3</td> <td>DY</td> <td>487508</td> </tr> <tr> <td>DR. WYLEE 30.7.93</td> <td>DE. A.SOH</td> <td>(SCALE)</td> <td>REV.</td> <td>SHEET</td> <td></td> </tr> <tr> <td>CHK. SALLY 30.7.93</td> <td>APP. PETER de JONG</td> <td>6:1</td> <td>E3</td> <td>1 OF 1</td> <td></td> </tr> </table>						(WIRE RANGE)	(INSULATION DIA.)	(NAME)				mm ² (AWG -)	- mm	TRIOMATE HORIZONTAL CABLE ENTRY FOR 1.57 [.062] THK P.C. BOARD				(MATERIAL)	(FINISH)	(GENERAL TOLERANCE)	SIZE	LOC	(No.)	9	11	± 0.38 [± .015]	A3	DY	487508	DR. WYLEE 30.7.93	DE. A.SOH	(SCALE)	REV.	SHEET		CHK. SALLY 30.7.93	APP. PETER de JONG	6:1	E3	1 OF 1	
(WIRE RANGE)	(INSULATION DIA.)	(NAME)																																							
mm ² (AWG -)	- mm	TRIOMATE HORIZONTAL CABLE ENTRY FOR 1.57 [.062] THK P.C. BOARD																																							
(MATERIAL)	(FINISH)	(GENERAL TOLERANCE)	SIZE	LOC	(No.)																																				
9	11	± 0.38 [± .015]	A3	DY	487508																																				
DR. WYLEE 30.7.93	DE. A.SOH	(SCALE)	REV.	SHEET																																					
CHK. SALLY 30.7.93	APP. PETER de JONG	6:1	E3	1 OF 1																																					

E3	E2	E1	E	D	C	LTR
ECR-10-022530	REVISED PER ECO-09-026346	REVISED AS PER ECR-06-04332	REVISED FR00-0011-04	REVISED FP00-0120-98	REDRAWN DY/EC/07B4	(REVISION RECORD)
KK	KK	PM	SD	LWY	LWY	DR
HMR	AEG	KS	PCH	TLP	SL	CHK
07FEB11	27NOV09	21FEB06	19FEB04	31MAR98	30.7.93	DATE

(CUSTOMER DRAWING)