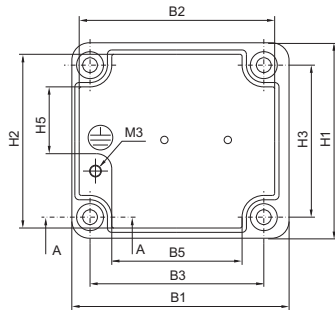
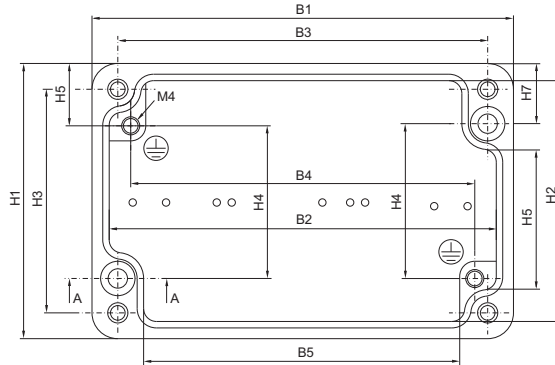


Cast aluminium enclosures GA

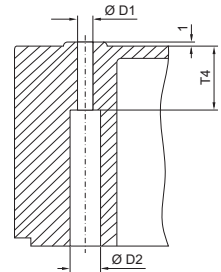
Version A



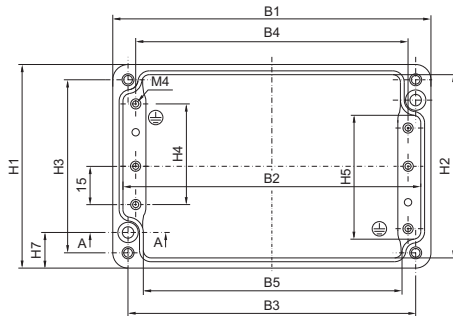
Version B



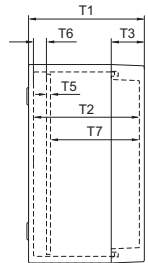
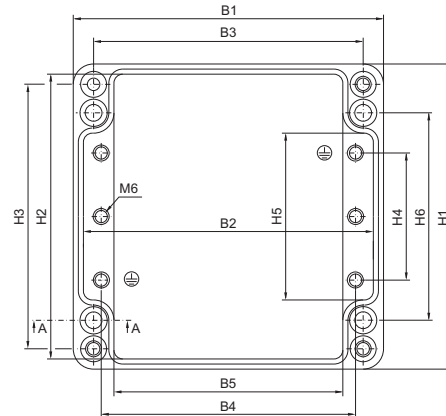
Section A - A



Version C



Version D



Note:

- For installations manufactured by the customer, the width and height dimensions of the mounting plate must not be exceeded.
- For enclosures where no mounting plate is available, the following dimensions shall apply analogously:

Model No. GA	Width mm	Height mm
9101.210	48	54
9102.210	88	54
9104.210	64	69
9106.210	164	69
9107.210	239	69
9111.210	347	107

Model No. GA	Version	Width dimensions mm					Height dimensions mm							Depth dimensions mm							Diameter mm	
		B1	B2	B3	B4	B5	H1	H2	H3	H4	H5	H6	H7	T1	T2	T3	T4	T5	T6	T7	D1	D2
9101.210	B	58	50	46	40	34	64	56	52	33	32	-	14	34	29	9	8	-	-	-	4.5	8
9102.210	B	98	90	86	81	74	64	57	52	33	32	-	14	35	29	10	8	-	-	-	4.5	8
9104.210	C	75	66	63	56	52	80	71	68	39	48	-	14	57	50	15	9.5	-	-	-	4.5	8
9105.210	C	125	116	113	106	99	80	71	68	39	48	-	14	57	50	15	10	1.5	6	42.5	4.5	8
9106.210	C	175	166	163	156	152	80	71	68	39	48	-	14	57	50	15	8	1.5	6	42.5	4.5	7
9107.210	C	250	241	238	231	226	80	71	68	39	48	-	14	57	50	15	9.5	1.5	6	42.5	4.5	7.5
9108.210	D	122	112	106	95	90	120	111	104	52	64	82	-	80	72	20	15.5	1.5	8	62.5	6.5	10.5
9110.210	D	220	211	204	195	183	120	111	104	50	64	82	-	91	82	30	15	1.5	9	71.5	6.7	11
9111.210	D	360	349	344	333	322	120	111	104	48	62	82	-	82	72	20	9	2	8.5	61.5	6.5	10.8
9112.210	D	160	151	140	132	120	160	151	140	76	89	110	-	91	82	20	20	2	8.5	71.5	7	12
9113.210	D	260	251	240	230	220	160	151	140	76	90	110	-	91	82	20	19	1.5	8.5	72	7	13
9114.210	D	360	350	340	330	316	160	151	140	76	89	110	-	91	82	20	19	2	9	71	7	13.5
9116.210	D	202	190	180	170	159	232	221	210	144	159	180	-	111	102	20	21	2	9	91	6	13
9117.210	D	280	271	260	250	239	232	221	210	144	159	180	-	111	102	20	21	2	9	91	6	13
9118.210	D	334	321	310	300	289	233	223	210	144	160	180	-	111	102	20	25	2	9	91	6.4	13.5
9119.210	D	330	321	310	300	290	230	221	210	144	160	180	-	181	170	20	9	2	9	159	7.5	11