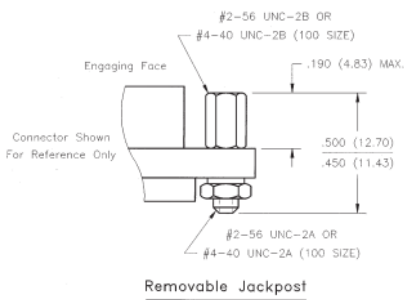
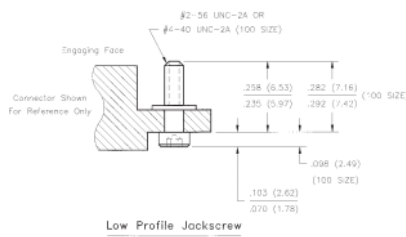
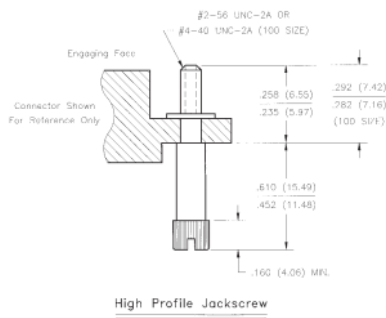


Datasheet

S/steel jack posts for locking connector

RS Stock number [453-959](#)

Dimensions: (mm)



Specification

- Shell Finish: Cadmium / Electroless Nickel
- Wire lead explanation: Use this to determine wire types for MIL-C 83515 connectors