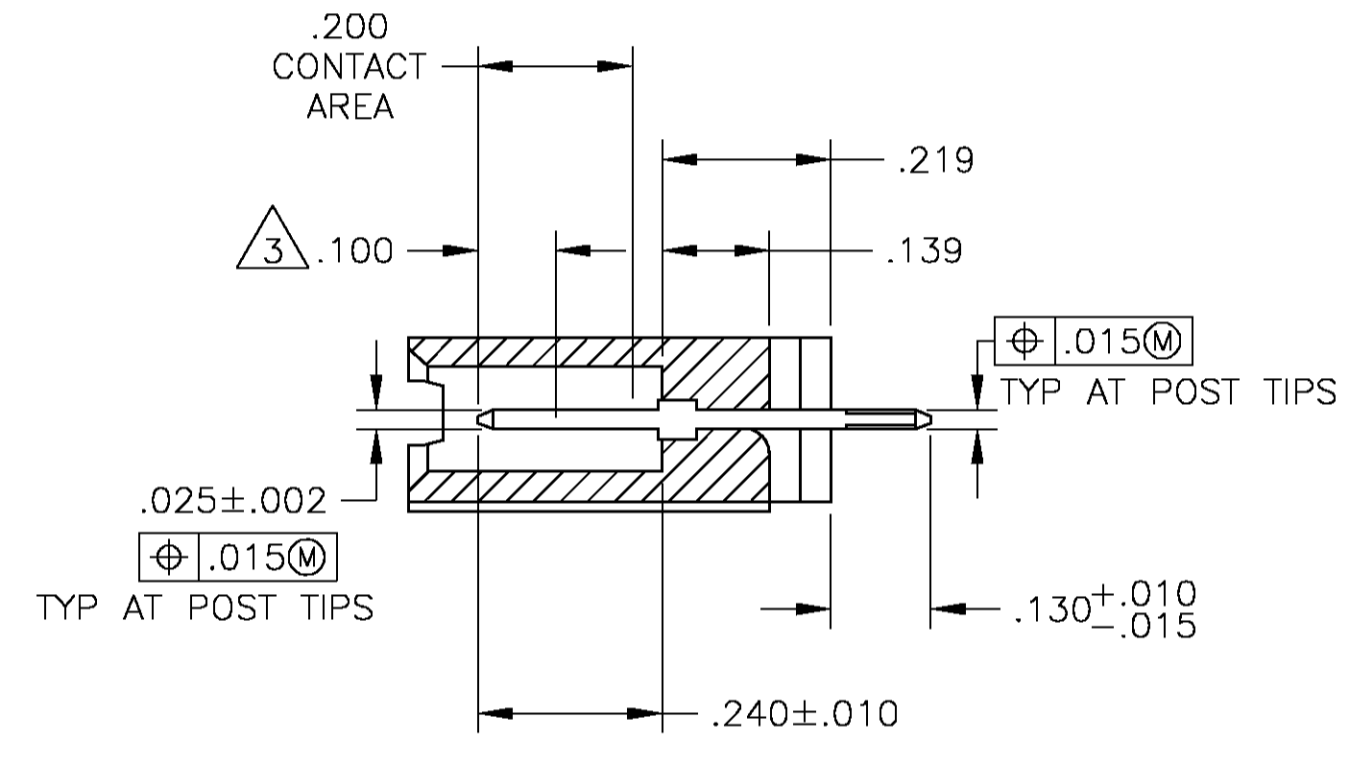
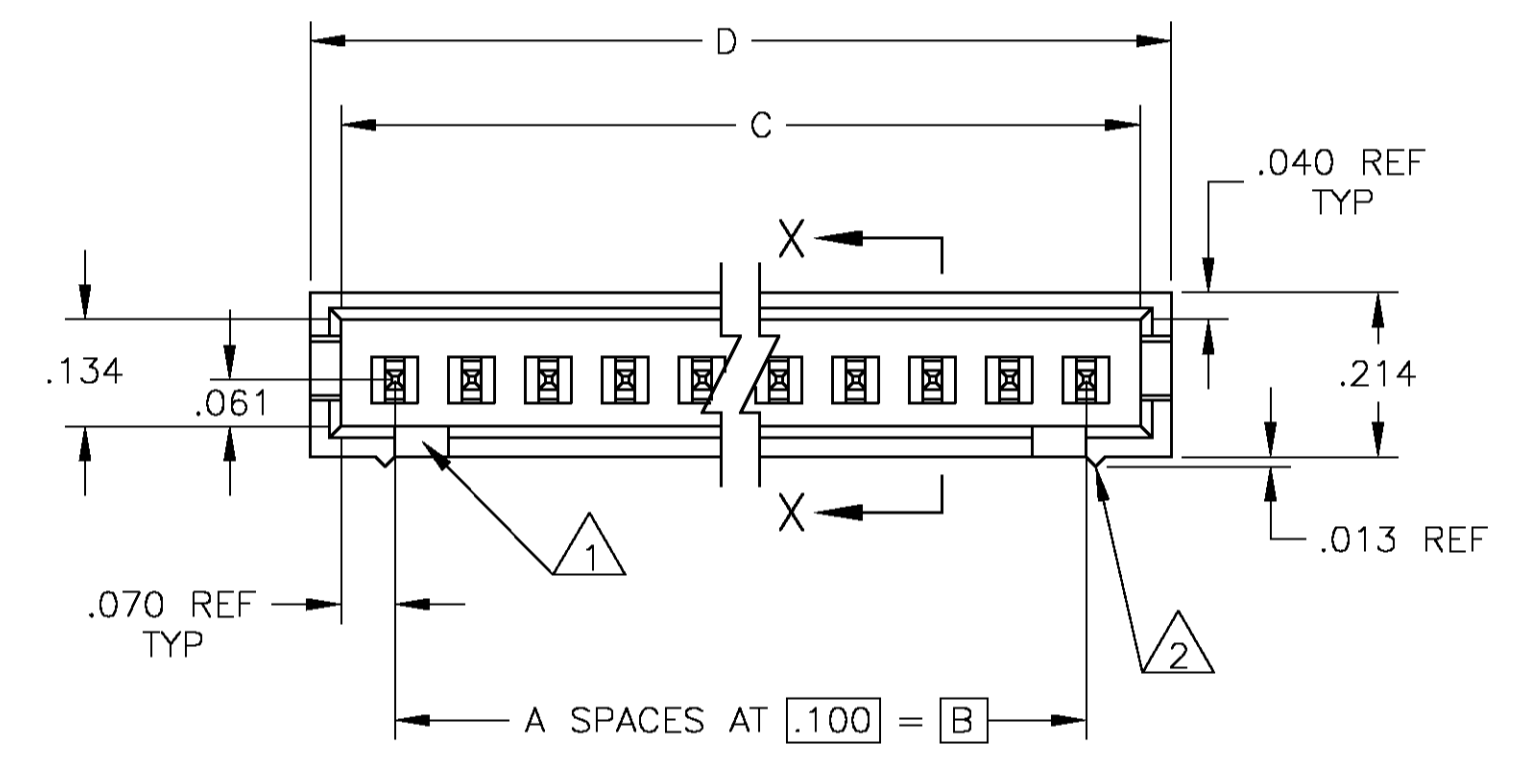
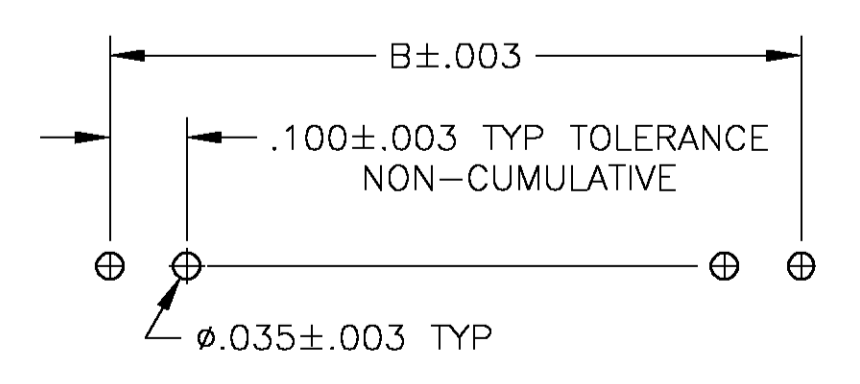
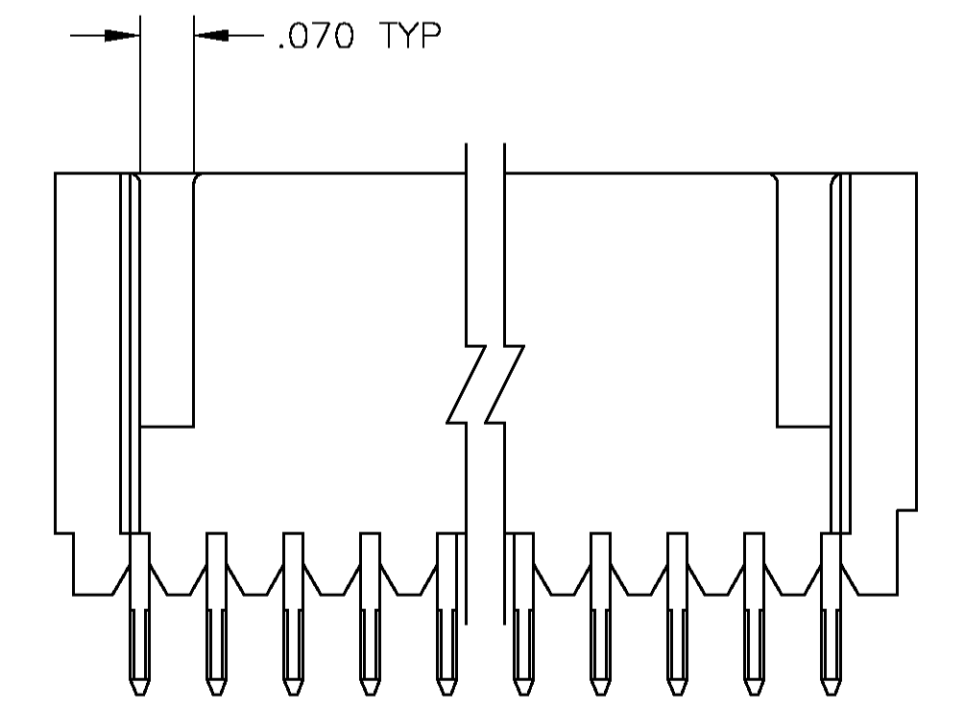


- 1 FOR 3 POSITION ONLY (.215 WIDE).
- 2 STANDOFFS: UP TO 9 POS-(2 REQD) ON THE OUTSIDE ENDS OF THE HOUSING  
10 TO 19 POS-(3 REQD) TWO ON THE OUTSIDE ENDS AND ONE CENTERED ON THE HOUSING  
19 POS AND LARGER-(4 REQD) TWO ON THE OUTSIDE ENDS AND TWO SPACED EVENLY  
WITHIN THE REMAINING LENGTH OF THE HOUSING.
- 3 POINT OF MEASUREMENT FOR PLATING THICKNESS.
- 4 .000030 GOLD ON THE CONTACT AREA, .000100-.000200 MATTE TIN-LEAD  
ON THE SOLDER TAIL, ALL OVER .000050 NICKEL.
- 5 OBSOLETE PART NUMBER
- 6 RECESSED DATE CODE
- 7 .000030 GOLD ON THE CONTACT AREA, .000100-.000200 MATTE TIN  
ON THE SOLDER TAIL, ALL OVER .000050 NICKEL.
- 8 MATERIAL: HOUSING- FLAME RETARDANT THERMOPLASTIC, COLOR- BLACK.  
POSTS- COPPER ALLOY



SECTION X-X



RECOMMENDED HOLE LAYOUT

PLATING	D	C	B	A	NO OF POS	ASSEMBLY PART NUMBER
						7-103414-3
						7-103414-2
						7-103414-1
						7-103414-0
						6-103414-9
						6-103414-8
						6-103414-7
						6-103414-6
						6-103414-5
						6-103414-4
						6-103414-3
						6-103414-2
						6-103414-1
						6-103414-0
						5-103414-9
						5-103414-8
						5-103414-7
						5-103414-6
						5-103414-5
						5-103414-4
						5-103414-3
						5-103414-2
						5-103414-1
OBSOLETE						3-103414-4
OBSOLETE						3-103414-3
OBSOLETE						3-103414-2
OBSOLETE						3-103414-1
OBSOLETE						3-103414-0
OBSOLETE						2-103414-9
OBSOLETE						2-103414-8
OBSOLETE						2-103414-7
OBSOLETE						2-103414-6
OBSOLETE						2-103414-5
OBSOLETE						2-103414-4
						2-103414-3
						2-103414-2
						2-103414-1
						2-103414-0
						1-103414-9
						1-103414-8
						1-103414-7
						1-103414-6
						1-103414-5
						1-103414-4
						1-103414-3
						1-103414-2
						1-103414-1
						1-103414-0
						103414-9
						103414-8
						103414-7
						103414-6
						103414-5
						103414-4
						103414-3
						103414-2
						103414-1

THIS DRAWING IS A CONTROLLED DOCUMENT. **DIN** R BROWN 28JAN05 **Tyco Electronics Corporation**  
**CIK** J GESFORD 28JAN05 **Harrisburg, Pa 17105-3608**  
**APVD** J GESFORD 28JAN05 **ASSEMBLY, MOD II, HEADER, SINGLE ROW**  
**PRODUCT SPEC** .100 C/L, (4) SIDED SHROUD  
**APPLICATION SPEC**  
**SIZE** A1 **CAGE CODE** 00779 **DRAWING NO** 103414 **RESTRICTED TO**  
**WEIGHT** - **SCALE** 4:1 **SHEET** 1 OF 1 **REV** P  
**CUSTOMER DRAWING**