

Solid State Relays Accessories Type RHS... Heatsink Assemblies

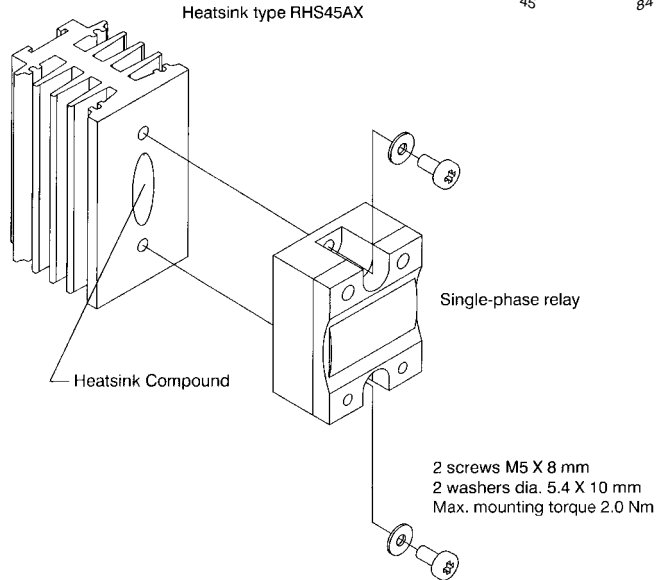
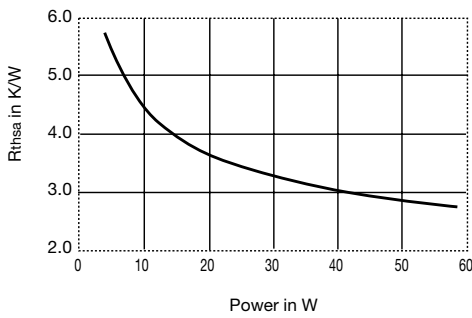
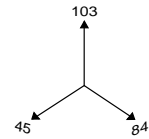


RHS45A

Heatsink assembly with DIN-rail adapter for 1-phase SSRs. Type RHS45A is a complete heatsink kit not including the SSR. A 40x40 mm fan may be mounted onto the heatsink.



DIN rail adapter



RHS45B

Heatsink assembly with DIN-rail adapter for 1-phase SSRs. Type RHS45B is a complete heatsink kit not including the SSR. A 40x40 mm fan may be mounted on to the heatsink.



DIN rail adapter

