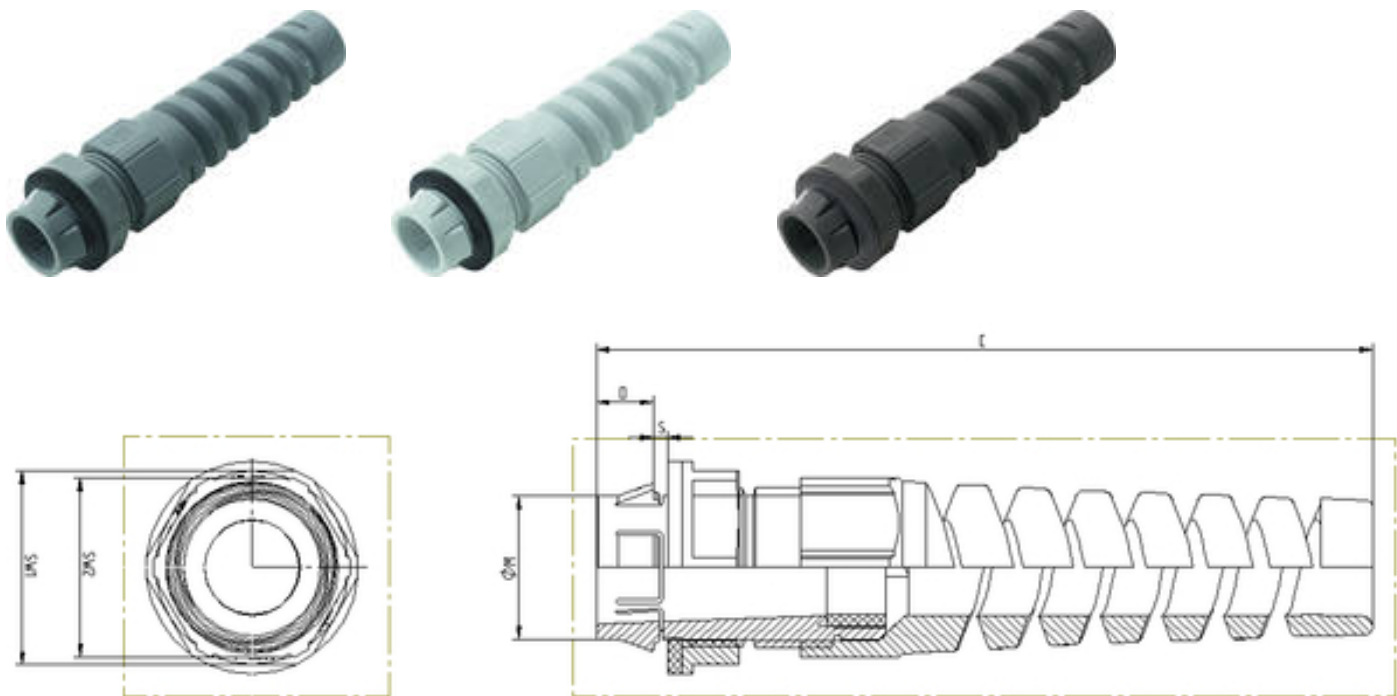


## SKINTOP® CLICK BS

Cable insertion system with bending protection spiral for additional reliability



### Application:

The innovative CLICK system now also available with additional bending protection for flexible cables. Cables for electrical appliances and machinery, which are moved under normal use, must be protected against excessive bending, as required in accordance with VDE 0730. Safety feature for flexible cables used in e. g.:

- Hand-held equipment
- Flexing machine parts
- Apparatus engineering
- Light and sound applications
- Robotics industry

### Advantage:

- Up to 70% time saving due to innovative CLICK system
- Simple, free assembly in any position
- Fewer parts, counter nut no longer needed
- Captive
- No thread required
- protected against vibration
- Maximum quality
- Strain relief in acc. with EN 50262

- IP 68, hermetically sealed
- Reliable bending protection for cable conservation and functional reliability

**Note:**

- Disassembly tool contained in the delivery scope

## SKINTOP® CLICK BS

Cable insertion system with bending protection spiral for additional reliability



### Colour delivered

RAL 7001 silver-grey RAL 7035 light grey RAL 9005 black / UV resistant



### Material

Body: special polyamide Seal: special elastomer



### Degree of protection

IP 68 - 5 bar



### Range of temperature

-20°C up to +100°C

## SKINTOP® CLICK BS

Cable insertion system with bending protection spiral for additional reliability

| Part number                   | Part designation / size | Clamping range ØF mm | M (hole mm) | Overall length C mm | Thread length D mm | SW1 / SW2 mm | S (wall thickness mm) | FEATURE_NAME<br>NOT SET |
|-------------------------------|-------------------------|----------------------|-------------|---------------------|--------------------|--------------|-----------------------|-------------------------|
| SKINTOP® CLICK BS light grey  |                         |                      |             |                     |                    |              |                       |                         |
| 53112888                      | CLICK BS 16             | 5 - 9                | 16,3 (-0,2) | 94                  | 8                  | 19 / 22      | 1 - 4                 | 5                       |
| 53112889                      | CLICK BS 20             |                      | 20,3 (-0,2) | 108                 | 8                  | 19 / 22      | 1 - 4                 | 2                       |
| 53112890                      | CLICK BS 25             | 9 - 17               | 25,3 (-0,2) | 127                 | 8                  | 30 / 34      | 1 - 4                 | 2                       |
| SKINTOP® CLICK BS silver-grey |                         |                      |             |                     |                    |              |                       |                         |
| 53112906                      | CLICK BS 16             | 5 - 9                | 16,3 (-0,2) | 94                  | 8                  | 19 / 22      | 1 - 4                 | 5                       |
| 53112907                      | CLICK BS 20             | 7 - 13               | 20,3 (-0,2) | 108                 | 8                  | 19 / 22      | 1 - 4                 | 2                       |
| 53112908                      | CLICK BS 25             | 9 - 17               | 25,3 (-0,2) | 127                 | 8                  | 30 / 34      | 1 - 4                 | 2                       |
| SKINTOP® CLICK BS black       |                         |                      |             |                     |                    |              |                       |                         |
| 53112909                      | CLICK BS 16             | 5 - 9                | 16,3 (-0,2) | 94                  | 8                  | 19 / 22      | 1 - 4                 | 5                       |
| 53112911                      | CLICK BS 20             | 7 - 13               | 20,3 (-0,2) | 108                 | 8                  | 19 / 22      | 1 - 4                 | 2                       |
| 53112912                      | CLICK BS 25             | 9 - 17               | 25,3 (-0,2) | 127                 | 8                  | 30 / 34      | 1 - 4                 | 2                       |