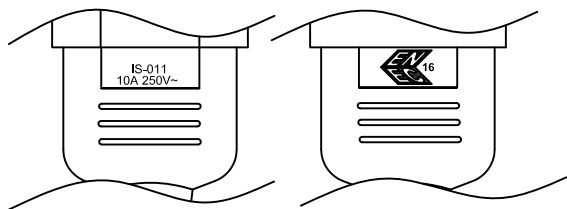
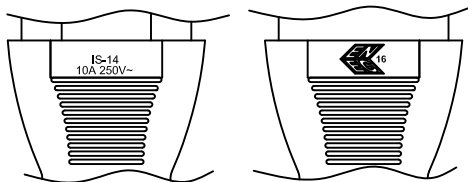


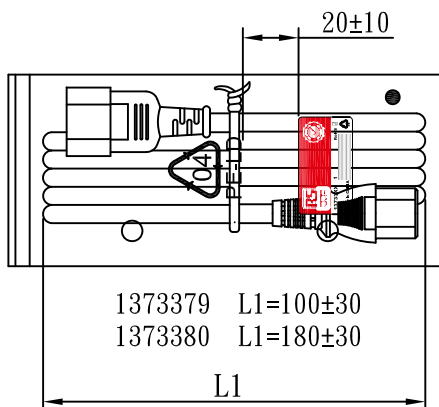
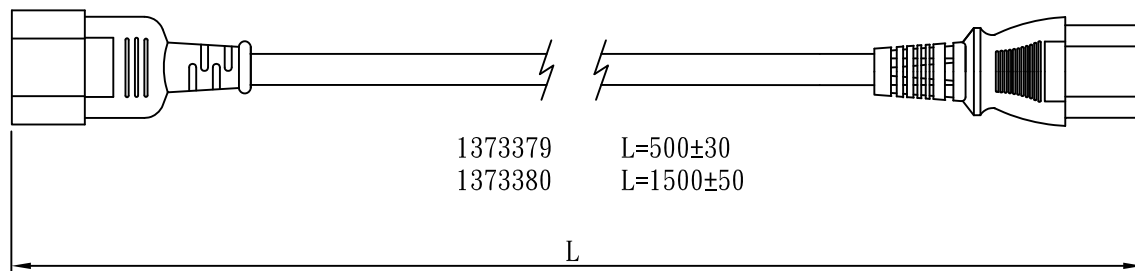
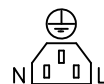
MARKING:



MARKING:



No	BOM ITEM	Q' TY	P/N
1	KPR-11 TERMINAL	3 pcs	BBN11000
2	IS-011 DUST COVER	1 pcs	5B1011012000
3	IS-011 INNER BODY	1 pcs	5B1011000000
4	HF PLASTICS(IS-011)	18 g	51PTPE082012
5	KPR-14 TERMINAL	3 pcs	BBB14000
6	IS-14 INNER BODY	1 set	MI014000
7	HF PLASTICS(IS-14)	22 g	51PTPE082012
8	PE TIE (BLACK , 6 inch)	1 pcs	KBB10006
9	PE BAG(120*260)	1 pcs	5HP1R1102600
10	LABEL(45*25)	1 pcs	



1373379 L1=100±30
1373380 L1=180±30

WIRING COLOR:

E: Yellow/Green
N: Blue
L: Brown

LENGED ON CORD : (L304-16A)

SGIS ◁VDE▷ ES0140055 H05Z1Z1-F 3G 0.75mm² 300/500V

NOTE:1. CORD 128
2. CONTENT 13733XX



CABLE	H05Z1Z1-F 3G 0.75 300/500 CH-012(BLACK) 凹字				
PLUG	IS-011 + IS-14	LENGTH	L	UNIT	mm
CLIENT	NAME	First connectivity	N/W	UNIT	kg
	P/N	13733XX	SG DWG	SR-172524-17	VER. A
				Design. by	楊東 17.07.17
				Review. by	楊望春 17.07.17
				Approval. by	朱曉玲 17.07.17
1 1 1114 012 0XXX 02 E					