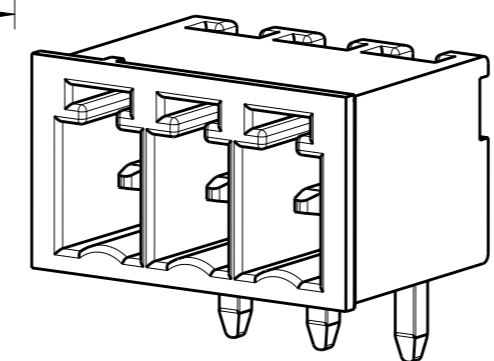
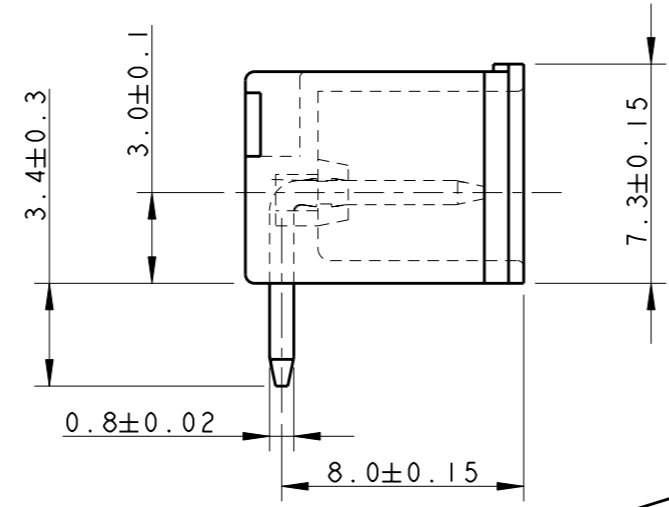
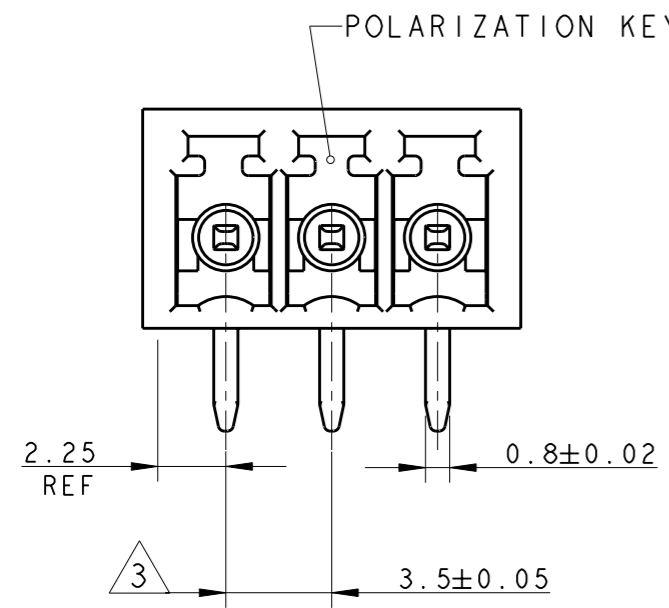
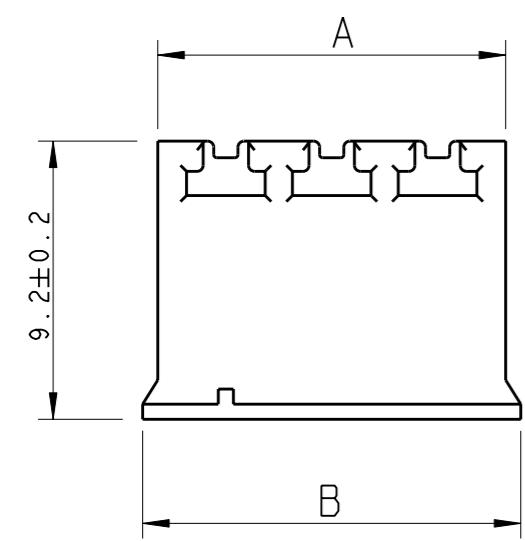


THIS DRAWING IS UNPUBLISHED. RELEASED FOR PUBLICATION 20
 © COPYRIGHT 20 BY TYCO ELECTRONICS CORPORATION. ALL RIGHTS RESERVED.

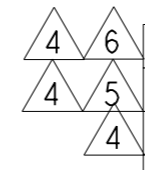
LOC	DIST	REVISIONS			
P	LTR	DESCRIPTION	DATE	DWN	APVD
FT	0	E2	REVISED PER ECO-10-009379	05MAY2010	HMR CR



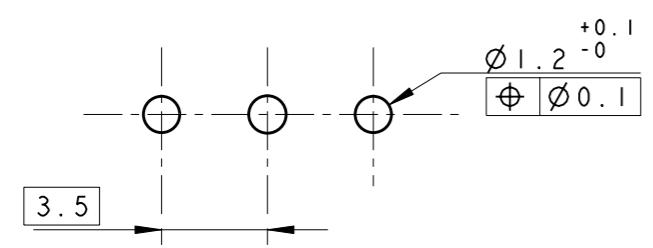
284512-3 AS SHOWN



- 1 MATERIALS AND FINISH
HOUSING : PA 6.6, UL 94-V0, COLOR GREEN
TERMINAL : PHOSPHOR BRONZE, PLATING: SEE TABLE.
- 2. SUITABLE FOR 1.6-2.4 mm. PC BOARD THICKNESS
- 3 NOT CUMULATIVE TOLERANCE
- 4 PRELIMINARY - NOT FOR PRODUCTION.
- 5 SPECIAL CODING LOCATED AT POSITION 2.
PART TO BE MATED WITH 2-284506-9.
- 6 SPECIAL CODING LOCATED AT POSITION 1 AND 2.
PART TO BE MATED WITH 3-284506-0.



TERMINAL PLATING	B	A	NO OF POSN	PART NUMBER
TIN	12.5	11.5	3	3-284512-9
TIN	12.5	11.5	3	3-284512-8
GOLD FLASH	26.5	25.5	7	3-284512-6
0.2 MICRON GOLD	44.0	43.0	12	3-284512-5
TIN	16.0	15.0	4	3-284512-4
TIN	12.5	11.5	3	3-284512-3
TIN	89.5	88.5	25	2-284512-5
TIN	86.0	85.0	24	2-284512-4
TIN	82.5	81.5	23	2-284512-3
TIN	79.0	78.0	22	2-284512-2
TIN	75.5	74.5	21	2-284512-1
TIN	72.0	71.0	20	2-284512-0
TIN	68.5	67.5	19	1-284512-9
TIN	65.0	64.0	18	1-284512-8
TIN	61.5	60.5	17	1-284512-7
TIN	58.0	57.0	16	1-284512-6
TIN	54.5	53.5	15	1-284512-5
TIN	51.0	50.0	14	1-284512-4
TIN	47.5	46.5	13	1-284512-3
TIN	44.0	43.0	12	1-284512-2
TIN	40.5	39.5	11	1-284512-1
TIN	37.0	36.0	10	1-284512-0
TIN	33.5	32.5	9	284512-9
TIN	30.0	29.0	8	284512-8
TIN	26.5	25.5	7	284512-7
TIN	23.0	22.0	6	284512-6
TIN	19.5	18.5	5	284512-5
TIN	16.0	15.0	4	284512-4
TIN	12.5	11.5	3	284512-3
TIN	9.0	8.0	2	284512-2



RECOMMENDED PC BOARD LAYOUT

DIMENSIONS: mm		TOLERANCES UNLESS OTHERWISE SPECIFIED:	
0 PLC	±	1 PLC	±.3
2 PLC	±.25	3 PLC	±
4 PLC	±	ANGLES	±2
MATERIAL	1	FINISH	1

DWN	06FEB2002
E. ZANOLINI	
CHK	06FEB2002
E. ZANOLINI	
APVD	06FEB2002
D. BIEVENOUR	
PRODUCT SPEC	108-20166
APPLICATION SPEC	114-20079
WEIGHT	-
CUSTOMER DRAWING	

Tyco Electronics Tyco Electronics
Harrisburg, PA 17105-3608

NAME: **TERMINAL BLOCK, HEADER ASSEMBLY**
90 DEGREE, CLOSED ENDS
3.5mm PITCH

SIZE	CAGE CODE	DRAWING NO	RESTRICTED TO
A3	00779	C-284512	-

SCALE: 4:1 SHEET 1 OF 1 REV E2