

## L001068-01

### 698-960 MHz Directional Outdoor Mast-Mountable Yagi Antenna

The L001068-01 antenna has a wideband frequency coverage from 698-960 MHz. Which makes it versatile for 4G, Cellular, ISM, LoRa and Wi-Fi Halow operations.

The antenna is mast mountable, using the supplied mounting hardware, for masts and poles from 25-50mm in diameter.

#### FEATURES AND BENEFITS

- Wideband frequency coverage (698-960 MHz)
- Vertical or horizontal polarization
- Suitable for outdoor operations
- Mast mountable with supplied bracket

#### APPLICATIONS

- 4G and cellular operation for 700/800/900 MHz bands
- Indoor/outdoor
- Wifi- HaLow, ISM and LoRa
- Non Line of Sight (NLOS)
- Trunking communications

#### SPECIFICATIONS

ELECTRICAL SPECIFICATION			
Operating Frequency (MHz)	698-780	790-940	945-960
VSWR - Max	<1.6		
Peak Gain Max (dBi)	11	11	13
Front to Back Ratio (dB)	≥12.5		
Max Power - Ambient 25°C (W)	100		
E-Plane Beamwidth (°)	29-61		
H-Plane Beamwidth (°)	20-44		
Polarization	Vertical or Horizontal		

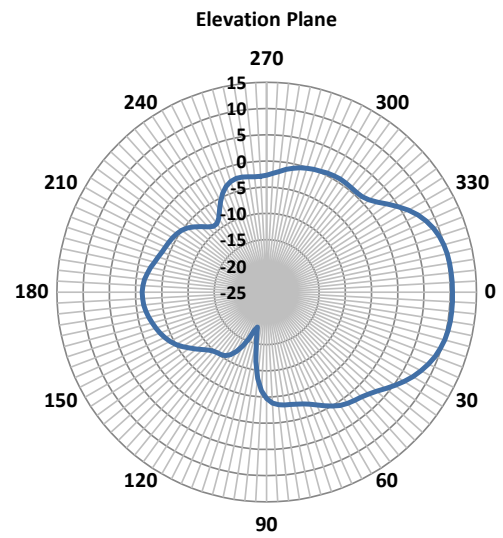
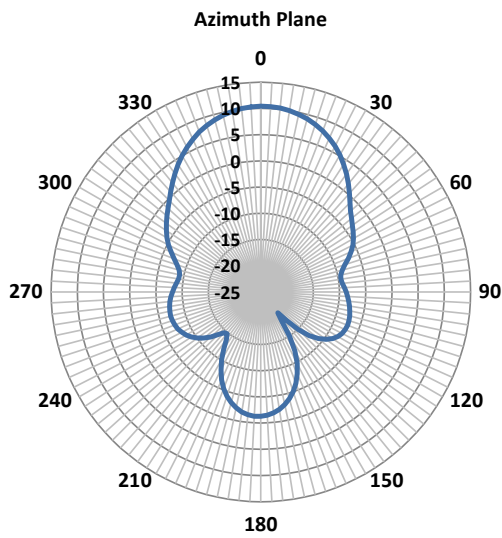
MECHANICAL SPECIFICATION	
Number of Elements	13
Dimensions - Length x Diameter - mm (in.)	1340±2 x 320Ø (52.76 x 12.60Ø)
Weight - kg (lbs.)	1.45 (3.2)* *Antenna Only - Not Including Mounting Bracket
Cable Length - cm (in.)	50 ± 2 (19.69 ± 0.8)
Connector	N-Type Female
Antenna Material	Aluminium
Mounting	Pole/Mast - Bracket Supplied
Max Mast Diameter - mm (in.)	25-50 (0.98-1.97)

## ENVIRONMENTAL SPECIFICATION

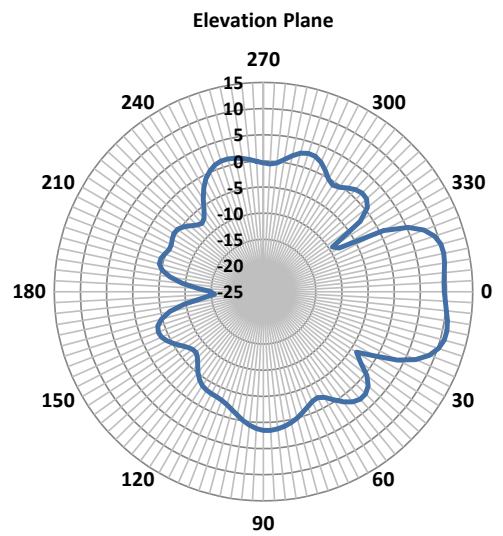
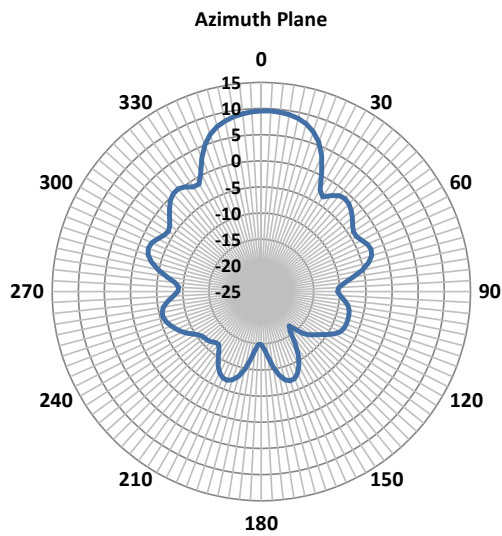
Operating Temp. °C (°F)	-40 to +85 (-40 to 185)
Storage Temperature °C (°F)	-40 to +85 (-40 to 185)
Material Substance Compliance	RoHS Compliant CE & UKCA Compliant
Applications	Indoor/Outdoor

## RADIATION PATTERNS

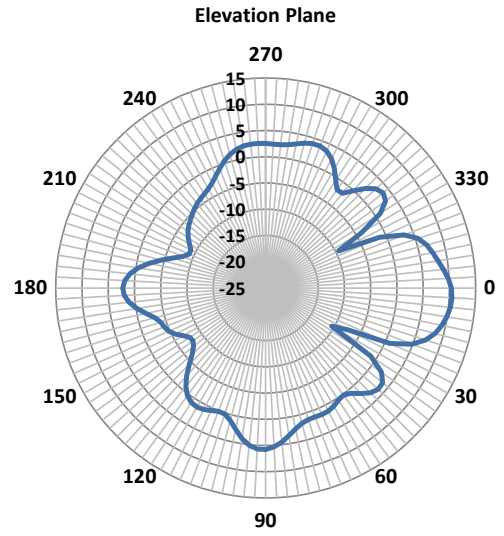
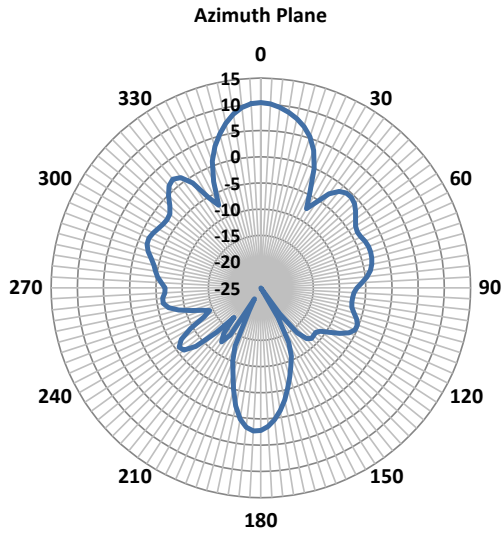
### Radiation Patterns at 698 MHz



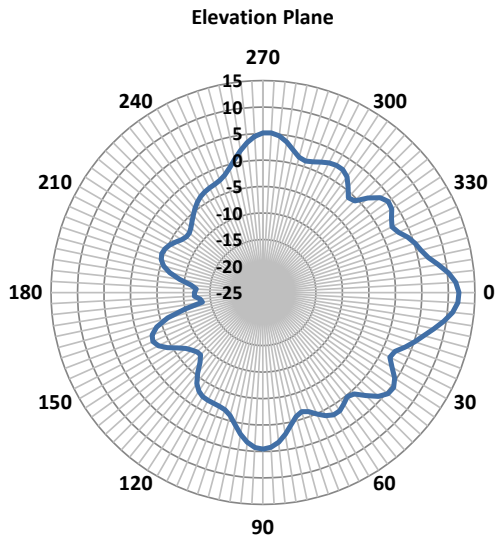
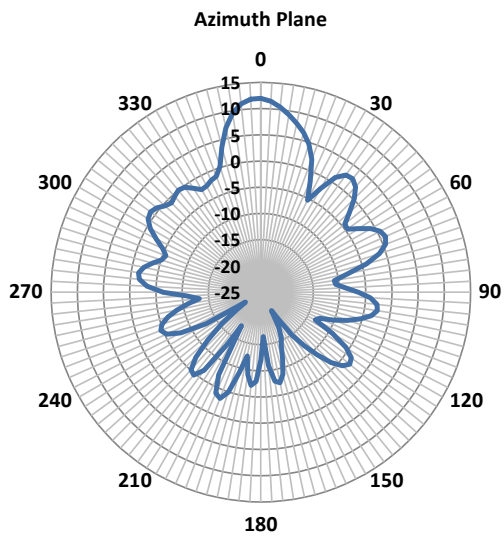
### Radiation Patterns at 868 MHz



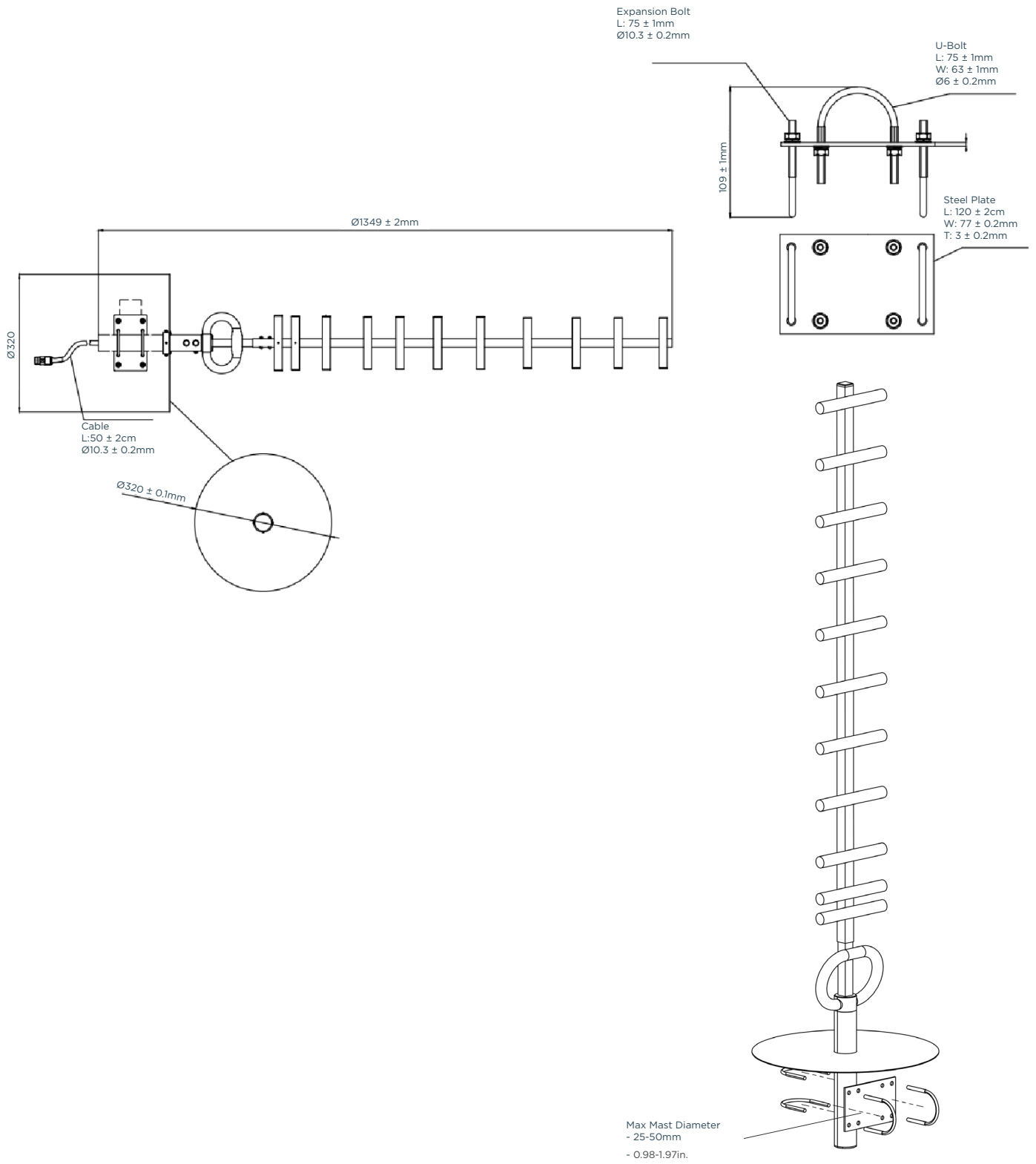
## Radiation Patterns at 915 MHz



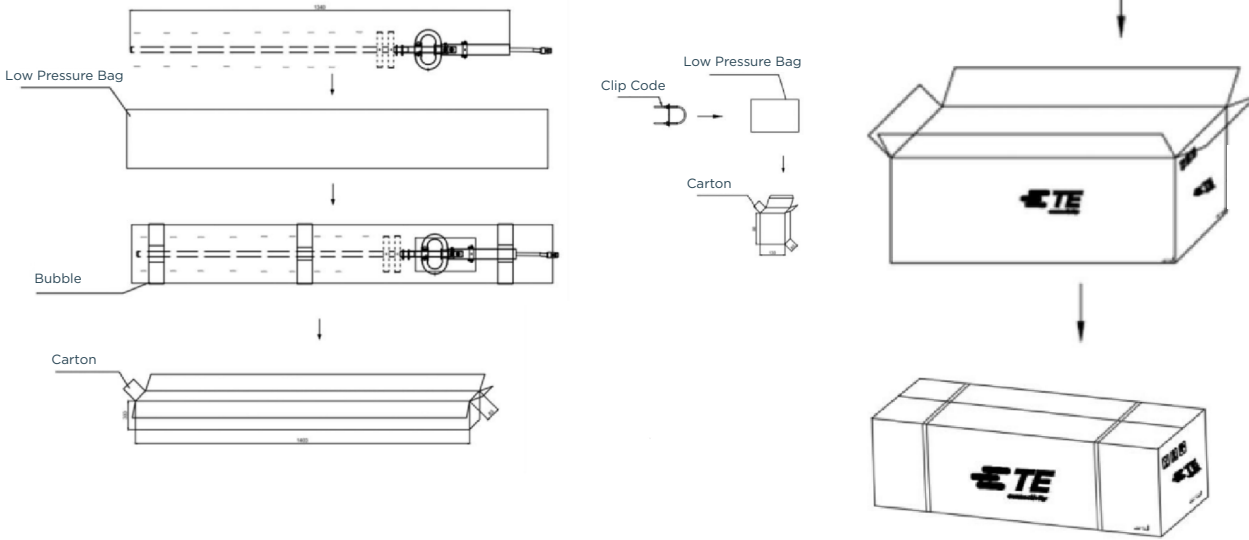
## Radiation Patterns at 960 MHz



# MECHANICAL DRAWINGS



## PACKING INFORMATION



PACKAGED DIMENSIONS	UNIT CARTON	MASTER CARTON
Number of Antennas	1	5
Length - cm (in)	140 (55.12)	142 (55.91)
Width - cm (in)	8.3 (3.27)	36 (14.17)
Height - cm (in)	33.5 (13.19)	45 (17.72)
Est. Shipping Weight - kg (lbs.)*	2.25 (4.96)	13.55 (29.87)

\* Including mounting hardware

### TE TECHNICAL SUPPORT CENTER

USA:	+1 (800) 522-6752
Canada:	+1 (905) 475-6222
Mexico:	+52 (0) 55-1106-0800
Latin/S. America:	+54 (0) 11-4733-2200
Germany:	+49 (0) 6251-133-1999
UK:	+44 (0) 800-267666
France:	+33 (0) 1-3420-8686
Netherlands:	+31 (0) 73-6246-999
China:	+86 (0) 400-820-6015

### te.com

TE, TE Connectivity, TE connectivity (logo), and EVERY CONNECTION COUNTS are trademarks owned or licensed by the TE Connectivity plc family of companies. Other product names, logos, and company names mentioned herein may be trademarks of their respective owners.

While TE has made every reasonable effort to ensure the accuracy of the information in this document, TE does not guarantee that it is error-free, nor does TE make any other representation, warranty or guarantee that the information is accurate, complete, correct, reliable or current. TE reserves the right to make any adjustments to the information contained herein at any time without notice. TE EXPRESSLY DISCLAIMS ALL IMPLIED WARRANTIES REGARDING THE INFORMATION CONTAINED HEREIN, INCLUDING, BUT NOT LIMITED TO, ANY IMPLIED WARRANTIES OF MERCHANTABILITY OR FITNESS FOR A PARTICULAR PURPOSE. In no event will TE be liable for any direct, indirect, incidental, special or consequential damages arising from or related to recipient's use of the information. It is the sole responsibility of recipient of this information to verify the results of this information using their engineering and product environment. Recipient assumes any and all risks associated with the use of the information. Antenna performance may vary. TE is a component manufacturer, and customer and/or end-user is responsible for all end-use compliance and regulatory requirements.

©2025 TE Connectivity. All Rights Reserved.

08/25 Original