

Direct Voltage Indicators enable indicator lamps to be connected directly to the Supply Voltage.

## Tranilamp LMU's

- **offer an economic solution**

The low cost way to accommodate most control circuit supplies, both AC and DC.

- **increase flexibility**

Can use with Tranilamp's extensive range of:  
 Filament Lamps  
 LED cluster lamps  
 Neon lamps  
 Panel housings and lenses

## Standard Specification

### Type

LMU - Standard Direct Indicator Lamp Body.

FLMU - As LMU with built-on free connecting fuse holder.

### Input Voltages

Same as and determined by the lamp used.

Suitable for AC or DC supplies.

Maximum Voltage: 240 V

### Surrounding Air Temperature

Maximum 50 deg C when operating.

### Lamps

Only supplied as Optional Extra.

Select from the Optional Extra list opposite or from the Lamp List Product Data Sheet 201.

### Lamp Caps

E10 Miniature Edison Screw - MES

### Mounting

Mount to panel using JY or H Series housings and lenses (see Data Sheet 200). LMU's and FLMU's screw onto housings.

### Terminations

M3.5 cable clamps with fixed terminal covers to IP20.

Solder tag terminals are available using Tranilamp's Low Voltage LMU/MES/2 described in Product Data Sheet 209.

### Construction

Body constructed of ABS/Polycarbonate grey, flame retardant to UL94Vo non-drip.

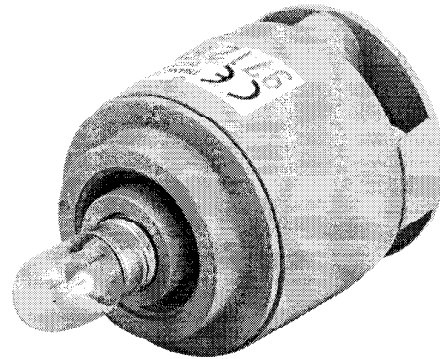
### Tests

LMU's and FLMU's conform to BS EN 60947-5-1.

All units are CE labelled in accordance with the L.V. Directive.

### Weight (Body Only)

LMU - 26 g, FLMU - 31 g (not including fuse)



LMU Indicator Body and Lamp  
(Lens/Housings/Lamps are Optional)

205

## Optional Extras

### Lamps

Filament Lamps 6, 12, 24, 50, 60 or 130 V AC or DC.

LED4 - 4 x LED cluster lamp in Amber, Green, Red or Blue.

LED7 - 7 x LED cluster lamp in Amber, Green or Red.

(LED's available at 4.5, 24 V AC or DC, and 110 V AC).

Neon's and Fluorescent's in orange, green and blue at 110 and 240 V AC.

See Product Data Sheet 201 for a full list of lamps available.

### Lamp Caps

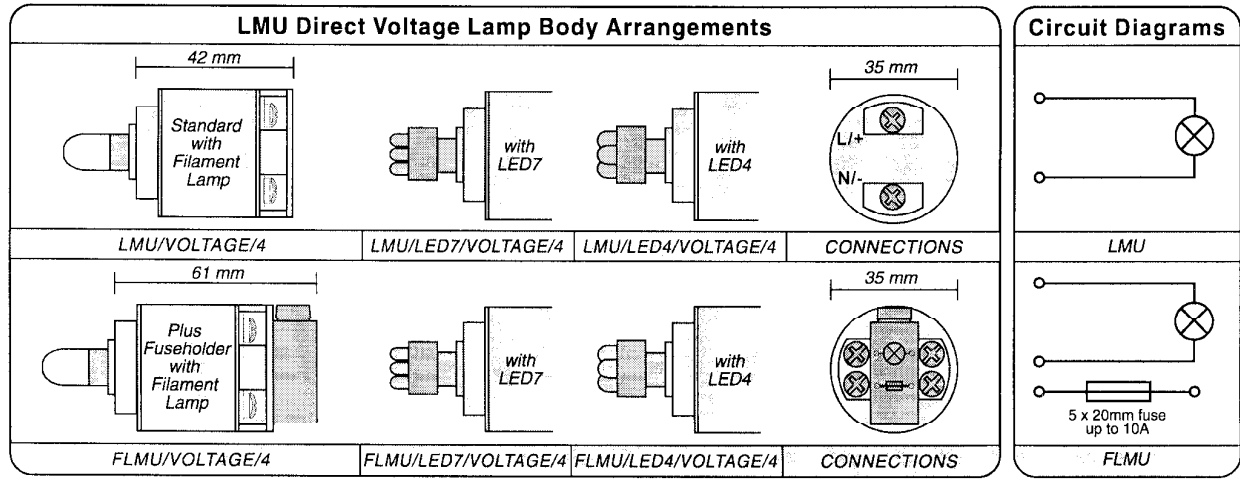
BA9s Miniature Bayonet Cap - MBC

### Terminal Protection

Turret or Funnel Shrouds are available to protect terminals to IP65 (see Data Sheet 214).

Additional seals may be necessary for housings and lenses (see Data Sheet 200).

To find the correct Product Code for ordering, please turn to the reverse side.



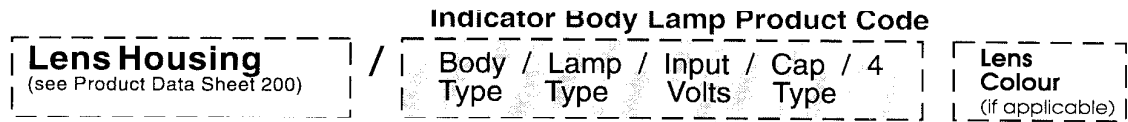
**LMU**  
FLMU

# Direct Voltage Indicator Lamps



Product Data Sheet 205/2 Issue 1

## How to derive the correct Product Code



B	Standard Direct Voltage Indicator Lamp Body	LMU
D	Direct Voltage Indicator Lamp Body with Fuseholder	FLMU

**Lamps are supplied for this product only as an optional extra.**  
If lamp required, Voltage is specified as Input Voltage. AC or DC may be used.

L	Filament 6, 12, 24, 28, 50, 60, 130 V	BLANK
A M P	LED 7 Cluster 4.5, 24 V AC or DC or 110 V AC [RED, AMBER, GREEN only]	RED LED7R AMBER LED7A GREEN LED7G
	LED 4 Cluster 4.5, 24 V AC or DC or 110 V AC [RED, AMBER, GREEN only] BLUE voltages limited. See below.	RED LED4R AMBER LED4A GREEN LED4G BLUE LED4B
	Neon 110 V AC, 240 V AC or DC	NEON NB2R
	Fluorescent Lamp 110 V AC, 240 V AC or DC	GREEN NG2R BLUE NW2R

<b>INPUT VOLTAGES</b> <small>(Identical to Lamp Voltage)</small>	No Lamp fitted		BLANK
	Filament Lamp suitable AC or DC	6 V	6
		12 V	12
		24 V	24
		28 V	28
		50 V	50
		60 V	60
	LED7 or LED4 Clusters	130 V	130
		4.5 V AC	4.5AC
		24 V AC	24AC
110 V AC		110	
Note: BLUE LED4 only available at 1.5, 24, 110 V AC or 24 V DC	4.5 V DC	4.5DC	
	24 V DC	24DC	
Neon and Fluorescent Lamps suitable for AC or DC	110	110	
	240	240	

<b>LAMP CAPS</b>	Standard Mini-Screw - MES (with lamp fitted)	BLANK
	Standard Mini-Screw - MES (no lamp fitted)	MES
	Optional Mini-Bayonet - MBC	MBC

<b>TERMINATIONS</b>	Standard 3.5mm captive cable clamp with cover. <small>(Solder tag terminals available on Low Voltage Body only See Product Data Sheet 209)</small>	4
---------------------	---	---

<b>OTHER OPTIONS</b>	IP65 Protection - Funnel or Turret Shrouds protect Body Terminals	Specify after Code <small>(see Data Sheet 214)</small>
----------------------	---	---

**Example 1**  
**Product Code:- LMU/LED4A/24AC/MBC/4**  
is a Standard LMU Direct Voltage Indicator Lamp body, amber LED 4 lamp cluster with MBC cap and standard screw terminals. Input: 24VAC.

**Example 2**  
**Product Code:- MHA/LMU/MES/4 White**  
is a Standard Direct Voltage LMU Indicator lamp body with no lamp supplied, but fitted with MES lamp holder and standard screw terminals mounted on an MH housing with a white MA lens. Input: Unspecified.

For a full list and description of lamps available see Product Data Sheet 201