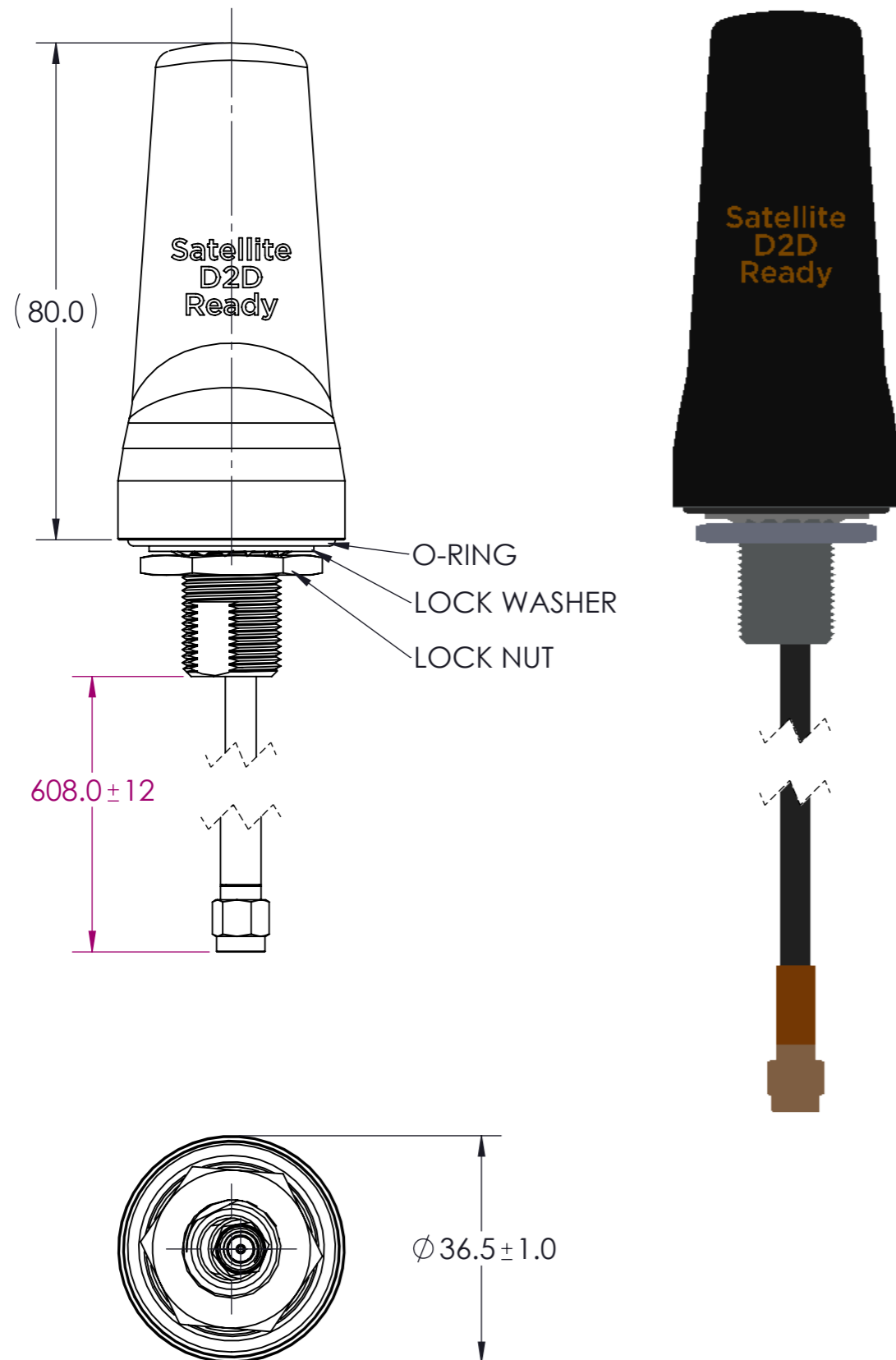


NOTE:
 1. THIS PARAMETER IS GROUND DEPENDENT AND SHOULD SERVE AS REFERENCE.
 2. ANTENNA SPECIFICATION IS SUBJECT TO CHANGES ACCORDING TO THE GROUND PLANE.

REVISIONS				
REV	DESCRIPTION	DATE	DWN	APVD
A	PRODUCTION RELEASE	25JUN25	LC	LL



PARAMETER	SPECIFICATION								
MODEL NUMBER	L001257-01								
FREQUENCY BANDS,MHZ	698-824	824-894	880-960	1690-1880	1850-1990	1910-2180	2300-2500	2500-2700	
PEAK GAIN (*),DBI (AVERAGE)	1.0	1.2	1.0	2.8	3.1	3.3	3.3	3.4	
PEAK GAIN (*),DBI (MAX)	1.5	1.2	1.2	3.3	3.4	3.6	3.5	3.8	
VSWR (*),AVERAGE	< 1.8	< 1.8	< 2.1	< 1.4	< 1.6	< 1.5	< 1.3	< 1.6	
VSWR (*),MAX	<2.6			<2.0					
GROUND PLANE	2FT X 2FT GP FOR VSWR								
	1FT DIAMETER GP FOR RADIATION PATTEM								
NOMINAL IMPEDANCE,OHM	50								
POLARIZATION	VERTICAL								
MAX INPUT POWER (AMBIENT 25°C/77°F),WATTS	10								
CABLE& LENGTH OF CABLE,mm	ULTRALINK 092463,608 (2FT)								
CONNECTOR	SMA MALE								
ANTENNA DIMENSION (HT X DIA),mm	80 X 37								
DC SHORT	NO								
WEIGHT,G	100.5								
ANTENNA COLOR	WHITE								
RADOME	PC,LEXAN EXL9330,UV RESISTANT,UL94 V-0								
OPERATING TEMPERATURE,°C	-30 ~ +70								
STORAGE TEMPERATURE,°C	-40 ~ +85								
INGRESSION PROTECTION	IP67								
INSTALLATION TORQUE,NM	4~6								
ROHS COMPLIANCE	YES								

THIS DRAWING IS A CONTROLLED DOCUMENT.

DIMENSIONS:	TOLERANCES UNLESS OTHERWISE SPECIFIED:	DWN	25JUN25	
mm	0 PLC ±0.5	LC TAN		
	1 PLC ±0.25	CHK		
	2 PLC ±0.13	APVD	25JUN25	
	3 PLC ±	LL TECH		NAME
	4 PLC ±	PRODUCT SPEC		Ant, HCF, Cell/Satcom, SMAM
	ANGLES ±30'	APPLICATION SPEC		
MATERIAL	FINISH	WEIGHT		SIZE
-	-	-		A300779
-	-	CUSTOMER DRAWING		CAGE CODE
				G=L001257-01
				DRAWING NO
				RESTRICTED TO
				SCALE 1:1
				SHEET 1 OF 1
				REV A