



Brand of NTN Group

Technical data

MUCPPL204

Bearing units

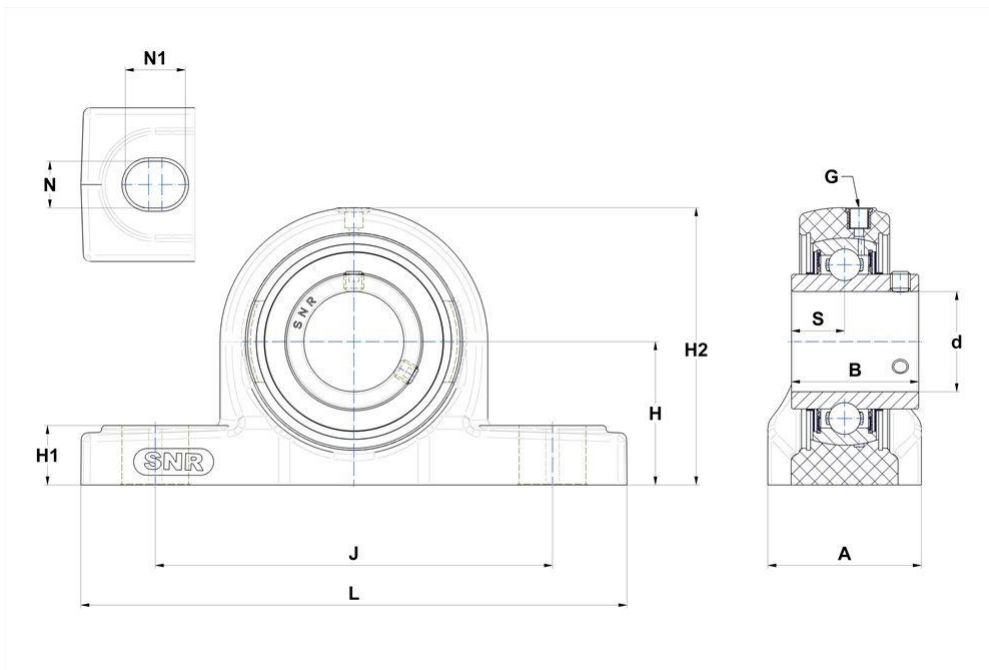


Thermoplastic housing, stainless steel insert ball bearing with socket set screws, seal with slinger, food grease

KIT CONTENT

MUC204FD, PPL204

VISUAL (S)



PRODUCT DEFINITION

Brand	SNR
A - Housing width	38 mm
A1 - Housing top width	22,5 mm
B - Width of Inner Ring	31 mm
d - Shaft diameter	20 mm



NTN Europe

1 rue des Usines · BP 2017 · 74010 Annecy Cedex · France · Tel. +33 (0)4 50 65 30 00
S.A. au capital de 322 639 919 € · RCS ANNECY B 325 821 072 · Id. Fiscale : FR 48 325 821 072
SIRET 325 821 072 00015 · Code APE 2815 Z · Code NACE 28.15

PRODUCT DEFINITION

G - Grease fitting	1/4-28 UNF
H - Distance mounting base to centerline spheric. seating diam.	33,3 mm
H1 - Housing foot height	14,2 mm
H2 - Housing height	65 mm
J - Mounting holes distance	95 mm
L - Housing length	127 mm
N - Mounting hole dimension	11 mm
N1 - Mounting hole length	14 mm
S - Distance front side/bearing centre	12,7 mm

PRODUCT PERFORMANCE

C - Dynamic load rating	10900000 mN
C0 - Static load rating	5300000 mN
Operating temperature min.	253,15 °K
Operating temperature max.	373,15 °K

OTHER FEATURES

Mass	0,28 kg
Recommended tightening torque for set screw	3.9 N-m

