

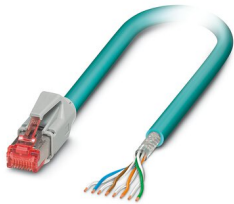
Network cable - VS-IP20-OE-94B-LI/5,0



1407699

<https://www.phoenixcontact.com/gb/products/1407699>

Please be informed that the data shown in this PDF document is generated from our Online Catalog. Please find the complete data in the user documentation. Our General Terms of Use for Downloads are valid.



Assembled Ethernet cable, shielded, 4-pair, AWG 26 stranded (7-wire), RAL 5021 (sea blue), RJ45 connector/IP20 to free cable end, line, length 5 m

Commercial Data

Item number	1407699
Packing unit	1 pc
Minimum order quantity	1 pc
Sales Key	ABNAAI
Product Key	ABNAAI
Catalog Page	Page 400 (C-2-2019)
GTIN	4046356475334
Weight per Piece (including packing)	262 g
Weight per Piece (excluding packing)	231.9 g
Customs tariff number	85444210
Country of origin	PL

Network cable - VS-IP20-OE-94B-LI/5,0



1407699

<https://www.phoenixcontact.com/gb/products/1407699>

Technical Data

Product properties

Product type	Data cable preassembled
Number of positions	8
No. of cable outlets	1
Shielded	yes
Cable outlet	straight

Insulation characteristics

Degree of pollution	2
---------------------	---

Electrical properties

Transmission medium	Copper
---------------------	--------

Material specifications

Flammability rating according to UL 94	V2
--	----

Connector

Insertion/withdrawal cycles	≥ 750
-----------------------------	-------

Connection 1

Degree of protection	IP20
----------------------	------

Cable / line

Cable length	5.00 m
Cable type	Ethernet
Cable structure	4x2xAWG26/7; S/FTP
External cable diameter	6.40 mm
Outer sheath, material	PUR
External sheath, color	water blue RAL 5021
Conductor material	Bare Cu litz wires
Conductor structure signal line	7x 0.16 mm
AWG signal line	26
Wire diameter incl. insulation	1 mm
Single wire, color	White-blue, white-orange, white-green, white-brown
Wave impedance	100 Ω ±15 % (at 1 ... 100 MHz)
Smallest bending radius, fixed installation	min. 32 mm (cable, fixed installation)
Smallest bending radius, movable installation	min. 32 mm (Cable, flexible installation)
Smallest bending radius, fixed installation	min. 32 mm (cable, fixed installation)
Smallest bending radius, movable installation	min. 32 mm (Cable, flexible installation)

Ambient conditions

Degree of protection	IP20
Degree of protection	IP20

Network cable - VS-IP20-OE-94B-LI/5,0

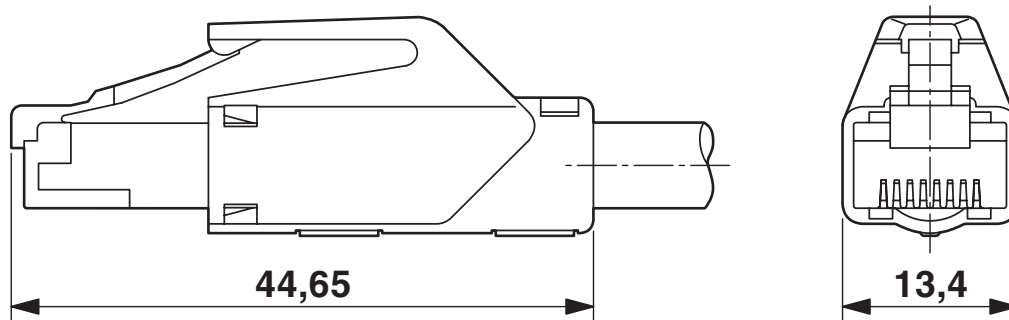
1407699

<https://www.phoenixcontact.com/gb/products/1407699>



Drawings

Dimensional drawing



Network cable - VS-IP20-OE-94B-LI/5,0

1407699

<https://www.phoenixcontact.com/gb/products/1407699>



Approvals



EAC

Approval ID: 19060508

Network cable - VS-IP20-OE-94B-LI/5,0



1407699

<https://www.phoenixcontact.com/gb/products/1407699>

Classifications

ECLASS

ECLASS-9.0	27060308
ECLASS-10.0.1	27060308
ECLASS-11.0	27060308

ETIM

ETIM 8.0	EC002599
----------	----------

UNSPSC

UNSPSC 21.0	26121600
-------------	----------

Network cable - VS-IP20-OE-94B-LI/5,0



1407699

<https://www.phoenixcontact.com/gb/products/1407699>

Environmental Product Compliance

China RoHS	Environmentally friendly use period: unlimited = EFUP-e
	No hazardous substances above threshold values

Phoenix Contact 2022 © - all rights reserved
<https://www.phoenixcontact.com>

PHOENIX CONTACT Ltd
Halesfield 13, Telford
Shropshire, TF7 4PG
01952 681700
info@phoenixcontact.co.uk