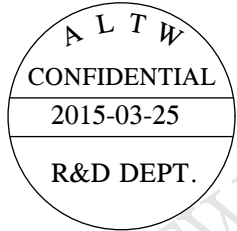
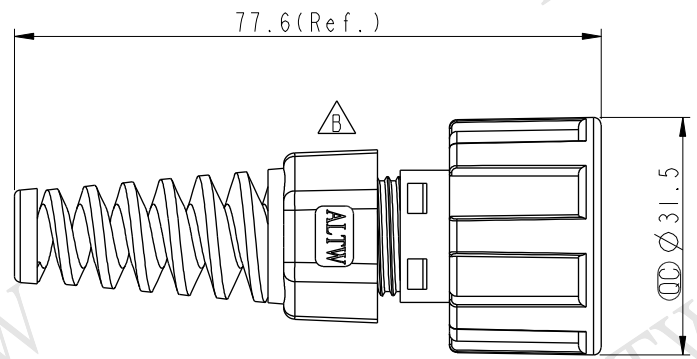
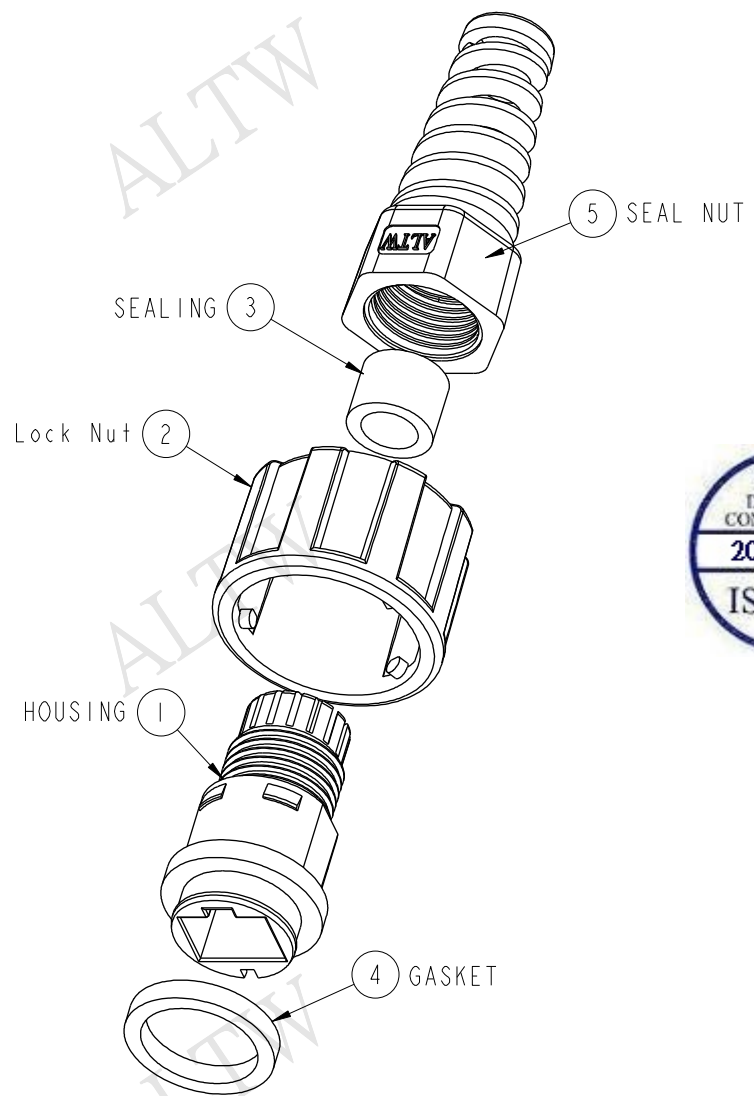


REV.	ECN NO.	DATE	SIGN	DESCRIPTION
B	LEN1540073	2015/03/25	Ruru	Change Logo



- Note:
- * \varnothing Important Dimension
 - * Waterproof Rate: IP67 (Mating)
 - * Housing: Nylon, Black
 - * Gasket: Silicone, Gray
 - * Lock Nut: Nylon, Black
 - * Sealing Nut: Nylon, Black
 - * Seals: Silicone, Gray
 - * Seals for cable OD \varnothing 4.5mm- \varnothing 6.5mm
 - * One Set Unassembled in One PE Bag

UNIT: mm		
TOLERANCE	.X ± 0.25	.XX ± 0.1
	.XXX ± 0.05	ANGLES $\pm 1^\circ$

TITLE RJ45 ASSY, ODVA, 3T WITH SR			
SCALE 1:1	SIZE A4	SHEET 1 OF 1	
REV. B	WC-REV. A.8	\varnothing : Inspection item	

Amphenol LTW
安費諾亮泰企業股份有限公司

ITEM NO. ROP-00AMMA-TLM7001	DRAWN BY Ruru	DATE 2015-03-25
DWG NO. ROP-00AMMA-TLM7001	CHECKED BY Rita	DATE 2015-03-25
CUSTOMER ALTW	APPROVED BY Lion	DATE 2015-03-25

DATE 2015-03-25
DATE 2015-03-25
DATE 2015-03-25

THIS DOCUMENT IS SUBJECT TO CHANGE WITHOUT NOTICE. IT IS CONFIDENTIAL AND A PROPERTY OF AMPHENOL LTW. DISCLOSURE TO THIRD PARTY HAS TO BE AUTHORIZED BY AMPHENOL LTW.