

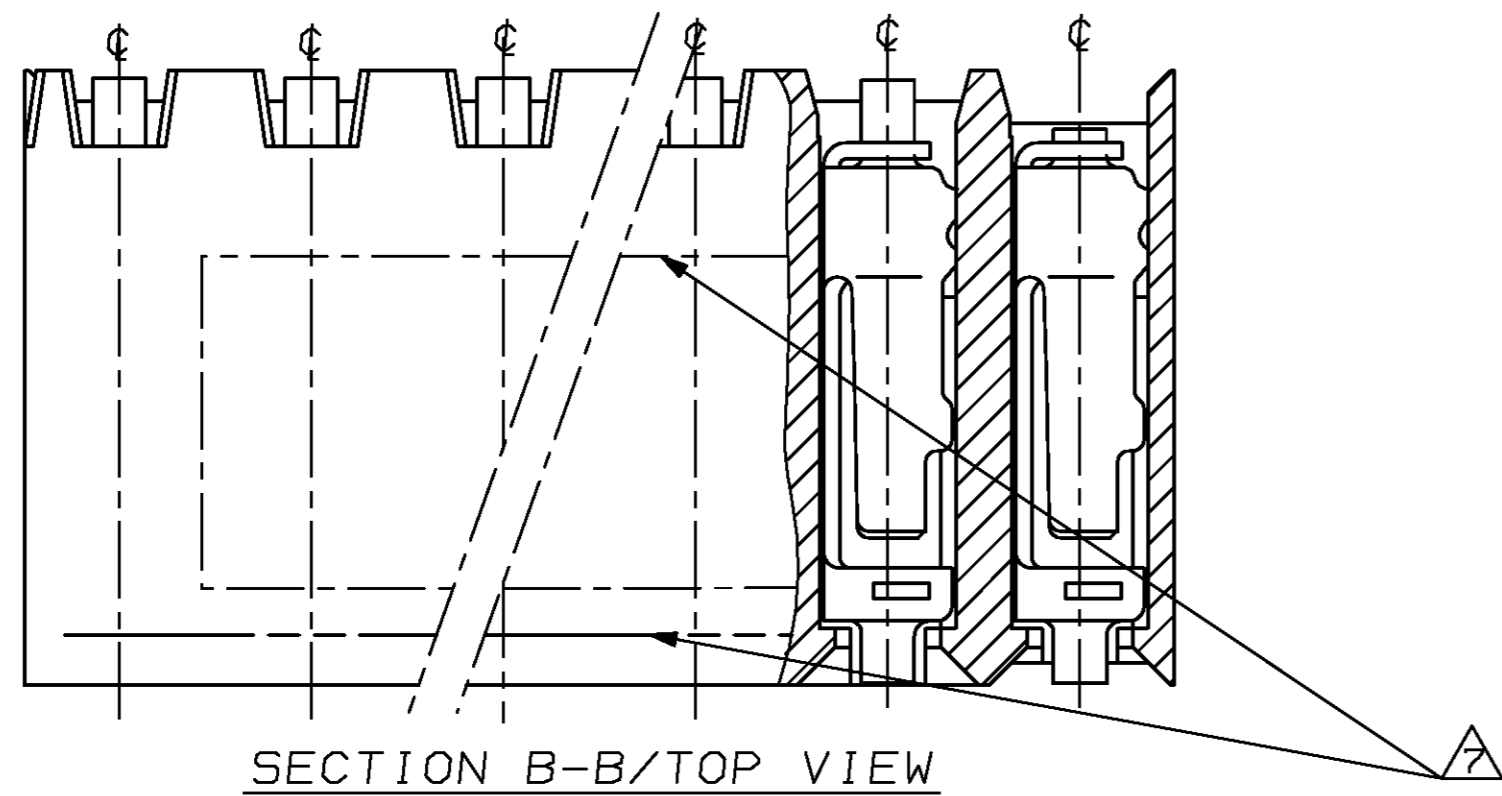
DO NOT SCALE
DIMENSIONS IN mm

METRIC

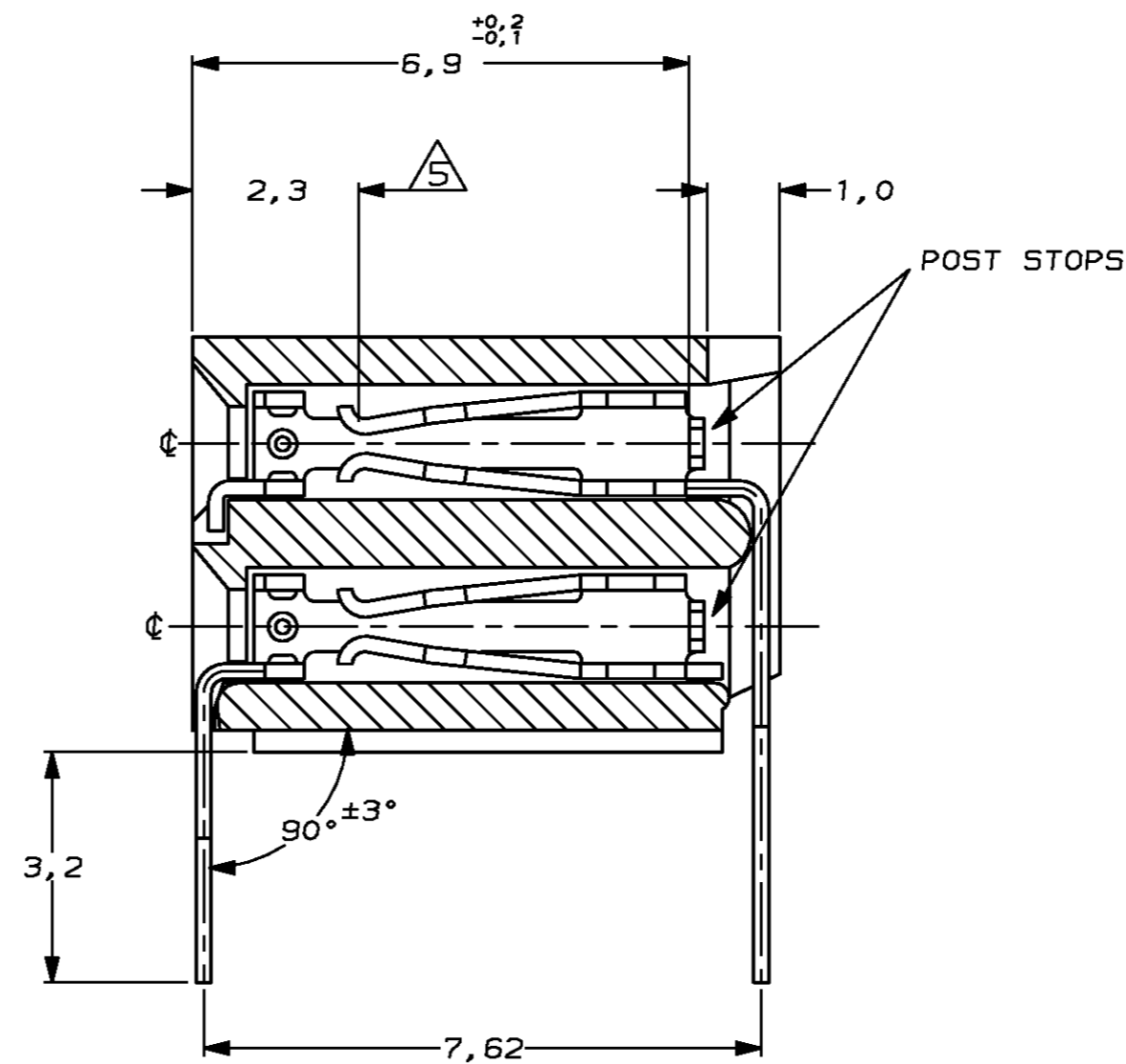
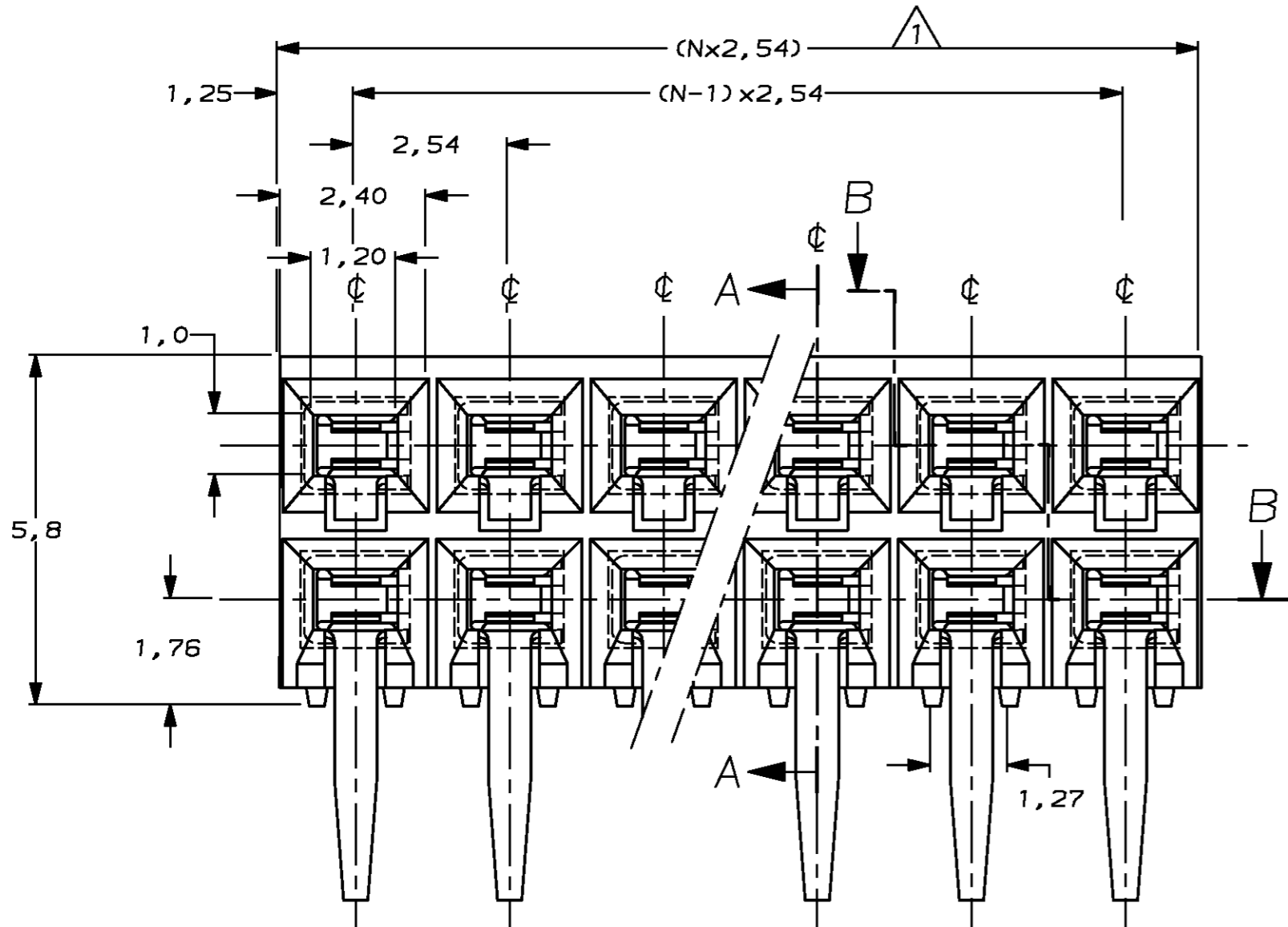
THIRD ANGLE
PROJECTION

NOTES:

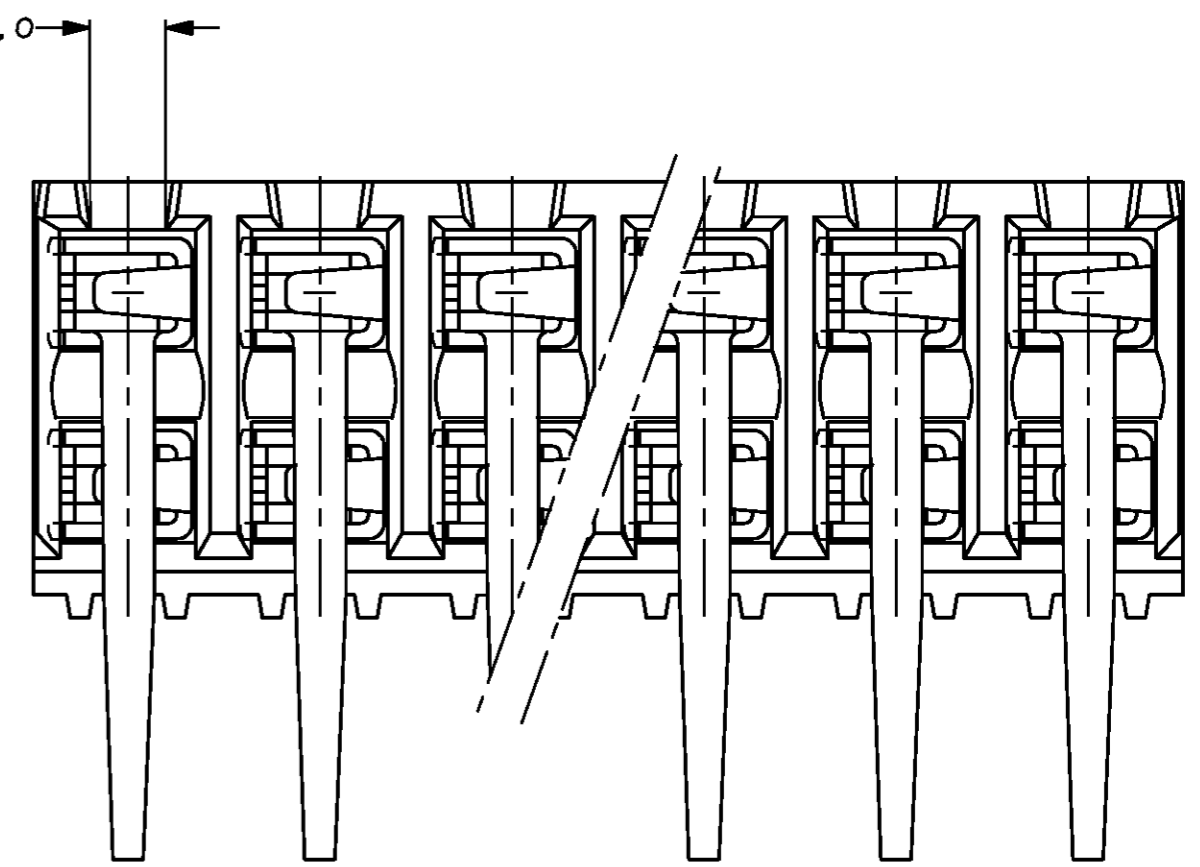
- 1 TO DETERMINE DIMENSIONS TAKE N=NR. OF POS.
FOR EXAMPLE, 10 POS., $N \times 2,54 = 25,4$ mm.
FOR ORDERNR. USE BASIC NR.+NR. OF POS.
FOR EXAMPLE, 2x 2 POS.= 216604-2 (SHORTEST VERSION)
2x65 POS.= 6-216604-5 (LONGEST VERSION)
- 2 HOUSING MATERIAL, GREEN GLASSFILLED POLYESTER, UL 94V-0
CONTACT MATERIAL, PHOSPHORBRONZE.
- 3 PLATING, UNDERCOATING, 1,3µm Ni
AT CONT.PLACE, 0,8µm Au
AT SOLDER-TINES, 3,0-5,0µm Sn
- 4 MATES WITH 0,63 SQUARE/ROUND MODU POSTS.
- 5 CONTACT-POINT.
- 6 RECOMMENDED P.C.BOARD-THICKNESS, 1,6mm.
- 7 PRINTED: BASIC PARTNUMBER, THE WORD "AMP", PRODUCTION DATE AND A DASHED LINE OVER THE LENGTH OF HOUSING TO INDICATE CONTACT MATING SIDE.



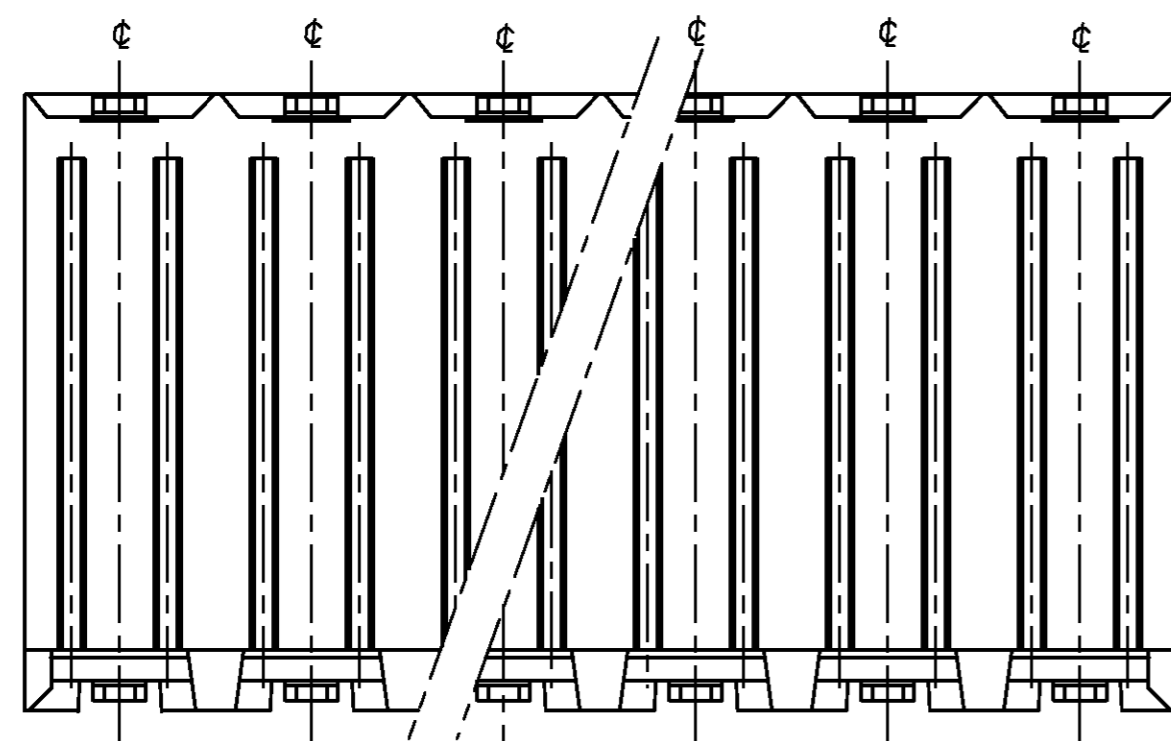
SECTION B-B/TOP VIEW



SECTION A-A

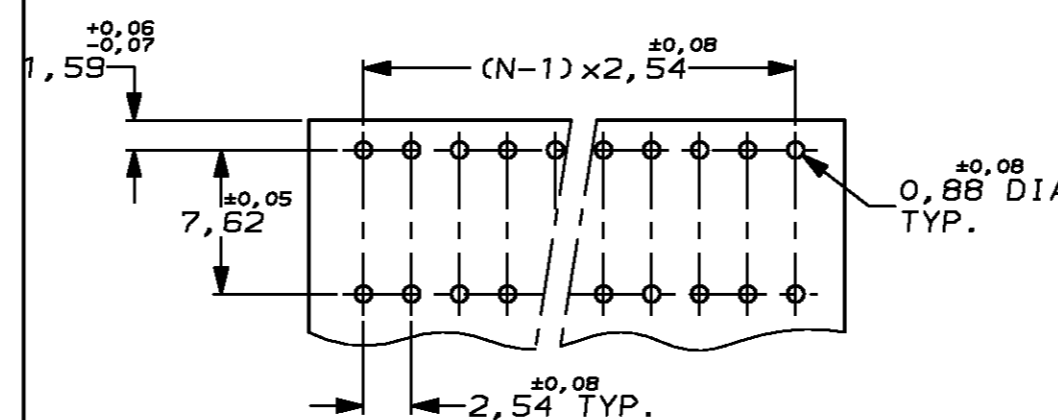



REAR VIEW



BOTTOM VIEW

RECOMMENDED P.C. BOARD-HOLE LAYOUT



FINISH		MATERIAL		PARTNUMBER	
-	-	-	-	CUSTOMER DRAWING FOR REFERENCE ONLY WILL NOT BE UPDATED	
-	-	-	-	© COPYRIGHT 1991 BY AMP HOLLAND B.V. ALL INTERNATIONAL RIGHTS RESERVED. AMP PRODUCTS MAY BE COVERED BY U.S. AND FOREIGN AND/OR PATENTS PENDING.	
H1	EU00-0011-03	TISZA KISS	ZITZ	20 MAY 03	THIS DRAWING IS UNPUBLISHED RELEASED FOR PUBLICATION DEC, 1991
H	EH-0467-97	JVL	RB	06-05-97	 AMP HOLLAND B.V. 's-Hertogenbosch, The Netherlands.
G	EH-1294-96	RDB	RDB	07 NOV 96	
F	H-8257	LvdH	WRA	17 APR '92	
E	ECN H9408	WRA	WRA	19-12-91	NAME HV 190 HOR. ASS'Y DUAL ROW GOLD VERSION (MAX. 2X65 POSITIONS)
LTR.	REVISION RECORD	DR.	CHK.	DATE	
DR.:	M.R. ANNOKKEE	CHK.:	R. de Bliock	APP.:	R. SHEETS
DATE:	19-12-91	DATE:	07 NOV 95	DATE:	07-NOV-95
DWG. No. C-216604		REV. LTR. H1		SHEET 1 OF 1	