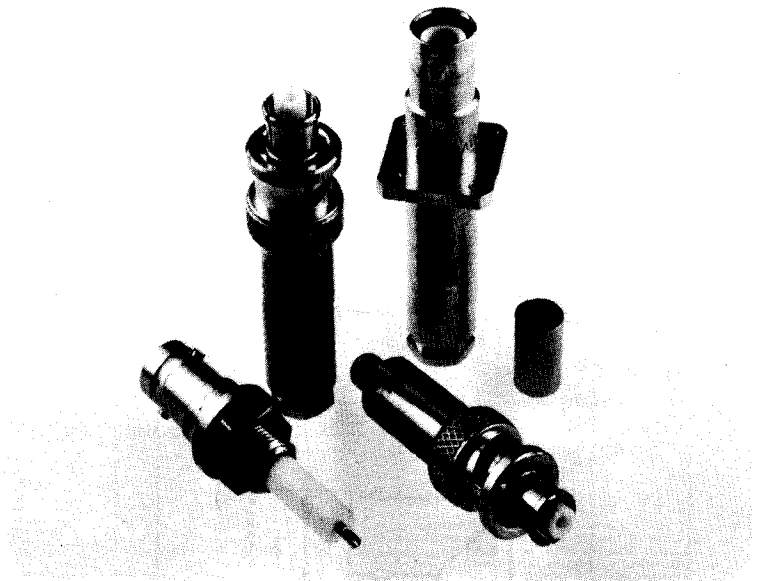


# HIGH VOLTAGE COAXIAL CONNECTORS

## SHV series

R 317 ...



These safe high voltage connectors meet all requirements of the NIM Standard (Nuclear Instrumentation Module) Specification ND 545 Amendment A. Both the pin and socket contacts are securely recessed inside the insulation to prevent the danger of electrical shock when live unmated connectors are handled. They are particularly recommended for impulse circuits of linear accelerators as well as in military, nuclear and medical electronics.

In general, this series should be considered for use where the user is anxious to work under conditions of guaranteed safety.

### GENERAL CHARACTERISTICS

These connectors are not intermateable with those of the BNC and BNC.HT series. 2 pip bayonet coupling.

Materials : contacts and interfaces : heat treated beryllium copper  
 other metal parts : brass  
 insulators : P.T.F.E. or polyethylene  
 Plating : NSR nickel-centre contacts, gold

### ELECTRICAL CHARACTERISTICS

Impedance : 50  $\Omega$   
 Frequency range : 0 - 2 GHz  
 V.S.W.R. : < 1.20 + 0.3 F (GHz) - (plug and jack)  
 Contact resistance : centre contact < 2.1 m $\Omega$  - outer contact < 1.5 m $\Omega$   
 Test voltage : unmated connectors : 10 000 V D.C. - 1 mn  
 mated pair : 12 000 V D.C. - 1 mn  
 Current rating : 10 A

### MECHANICAL AND ENVIRONMENTAL CHARACTERISTICS

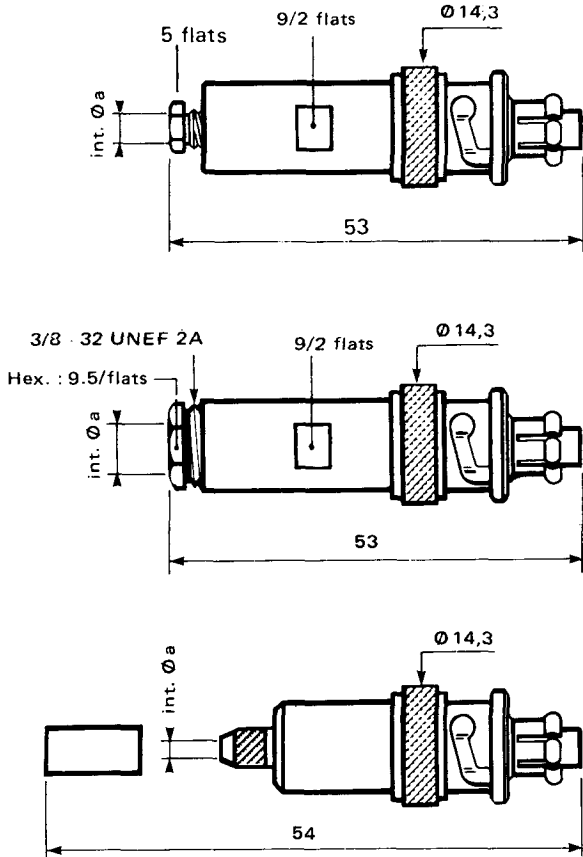
Contact to cable retention force : > 27 Newton  
 Coupling nut retention force : > 450 Newton  
 Cable retention : > 180 Newton  
 Vibration : 10 g - 500 Hz to MIL-STD-202, method 204, condition A  
 Shock : to MIL-STD-202, method 213 B, condition A  
 Life : 500 matings  
 Temperature range : - 65°C + 165°C  
 Salt spray : to MIL-STD-202, method 101, condition B - 48 H

### COAXIAL CABLES SUITABLE

2.6/50 + 75 $\Omega$		5/50 $\Omega$		6/75 $\Omega$	
RG. 174 /U	URM 95	RG. 58 C/U	URM 43	RG. 59 B/U	KX. 6A
RG. 179 B/U	URM 109	RG. 141 A/U	URM 72	RG. 140 /U	KX. 25
RG. 316 /U	URM 116	RG. 142 B/U	URM 76	URM 70	KX. 52
		RG. 223 /U	URM 108	URM 90	KX. 53
		RG. 303 /U	URM 301		
		RG. 400 /U			

CODE No.	STYLE	Cable group $\Omega$	max. $\varnothing_a$	Assembly code	Panel piercing	Weight (g)
----------	-------	----------------------	----------------------	---------------	----------------	------------

## STRAIGHT PLUGS



R 317 003\*

Cable clamp - captive contact

2,6/50 + 75

3

26

R 317 005

Cable clamp - captive contact

5/50

5,6

K13-68

25

R 317 071\*

Crimp - Nuclear radiation resistant

5/50 S.SCR.

5,5

K43-75A

R 317 072

Crimp

5/50 S.SCR

5,5

K43-75A

21

R 317 074

Crimp

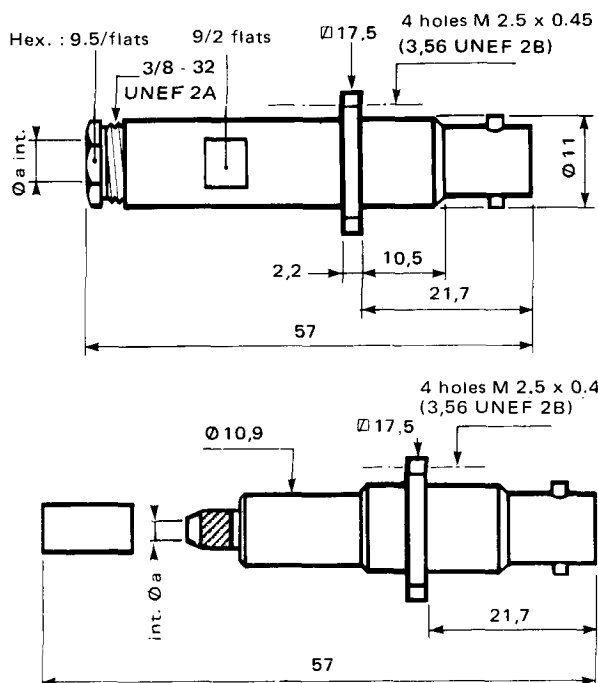
6/75

6,6

K43-75A

21

## STRAIGHT JACKS



R 317 255

Square flange - cable clamp captive contact

5/50

5,6

K13-68

a14

25

R 317 270

Square flange - crimp

5/50 S.SCR

5,5

K43-75A

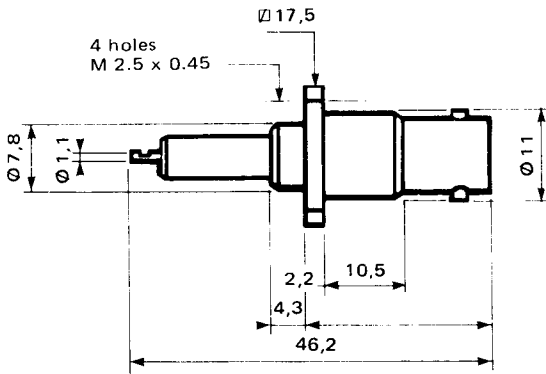
a14

22

# SHV series

CODE No.	STYLE	Cable group $\Omega$	Assembly code	Panel piercing	Weight (g)
----------	-------	-------------------------	---------------	----------------	------------

## RECEPTACLES



R 317 405

Square flange mounting  
4 holes M 2.5 x 0.45 (7.56 UNCF 2B)

a8-a14

15

R 317 404

Square flange mounting  
4 holes 3.2  $\Phi$

a16-a45

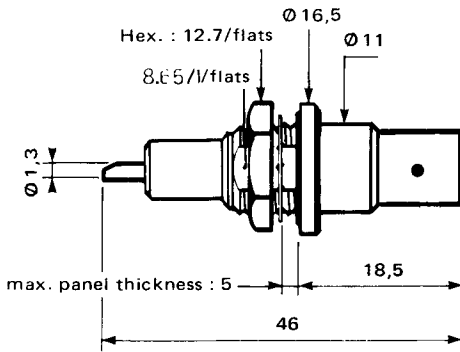
15

R 317 404 290°

Square flange mounting  
4 holes 3.2  $\Phi$   
Nuclear radiation resistant

a16-a45

15



R 317 580

Bulkhead mounting

d11

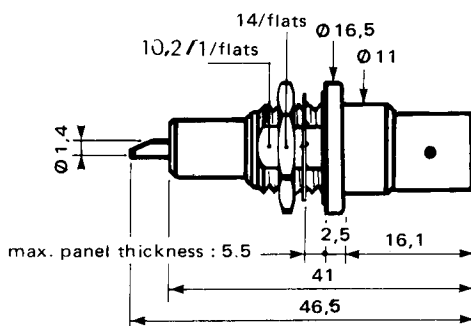
25

R 317 580 290°

Bulkhead mounting -  
Nuclear radiation resistant

d11

12

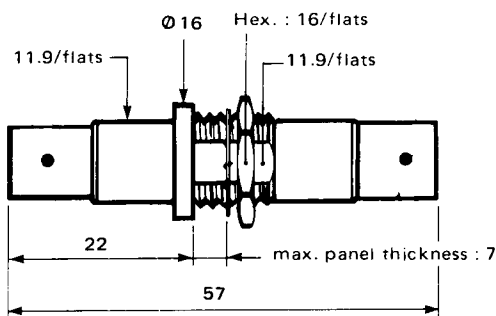


R 317 603°

Bulkhead mounting -  
panel seal.

20

## ADAPTORS



R 317 720

Bulkhead mounting -  
jack - jack

d12

29

R 317 720 160°

Bulkhead mounting  
jack - jack  
Nuclear radiation resistant

Polyethylene insulator

d12

29