



Actuator head for position switch 3SE51 Roller plunger with 3 mm overtravel Stainless steel roller 13 mm functional at -40 °C

<b>product brand name</b>	SIRIUS
<b>product designation</b>	actuator head for position switch
<b>product type designation</b>	3SE5
<b>General technical data</b>	
product function positive opening	Yes
<b>shock resistance</b>	
• acc. to IEC 60068-2-27	30g / 11 ms
• for railway applications acc. to DIN EN 61373	Category 1, Class B
<b>vibration resistance</b>	
• acc. to IEC 60068-2-6	0.35 mm/5g
• for railway applications acc. to DIN EN 61373	Category 1, Class B
mechanical service life (switching cycles) typical	15 000 000
<b>material of the enclosure of the switch head</b>	metal
<b>reference code acc. to IEC 81346-2</b>	T
<b>active principle</b>	mechanical
<b>Substance Prohibitance (Date)</b>	01.07.2006
<b>minimum actuating force in directions of actuation</b>	20 N
design of the interface for safety-related communication	without
<b>Enclosure</b>	
<b>coating of the enclosure</b>	Other types
<b>Drive Head</b>	
<b>design of the actuating element</b>	Roller plunger, high-grade steel roller
<b>standard-compliant actuator head</b>	EN 50041, design C
<b>shape of the switch head</b>	roller
<b>outer diameter of the switch head</b>	13 mm
<b>Communication/ Protocol</b>	
<b>design of the interface</b>	without
<b>Ambient conditions</b>	
<b>ambient temperature</b>	
• during operation	-40 ... +85 °C
• during storage	-40 ... +90 °C
<b>explosion protection category for dust</b>	none
<b>Installation/ mounting/ dimensions</b>	
<b>mounting position</b>	any
<b>fastening method</b>	lockable plug-in fixing
<b>Certificates/ approvals</b>	
<b>General Product Approval</b>	<b>Declaration of Conformity</b>



[UK Declaration of Conformity](#)

Test Certificates

other

[Type Test Certificates/Test Report](#)

[Confirmation](#)

#### Further information

Information- and Downloadcenter (Catalogs, Brochures,...)

<https://www.siemens.com/ic10>

Industry Mall (Online ordering system)

<https://mall.industry.siemens.com/mall/en/en/Catalog/product?mfb=3SE5000-0AD02-1AJ0>

Cax online generator

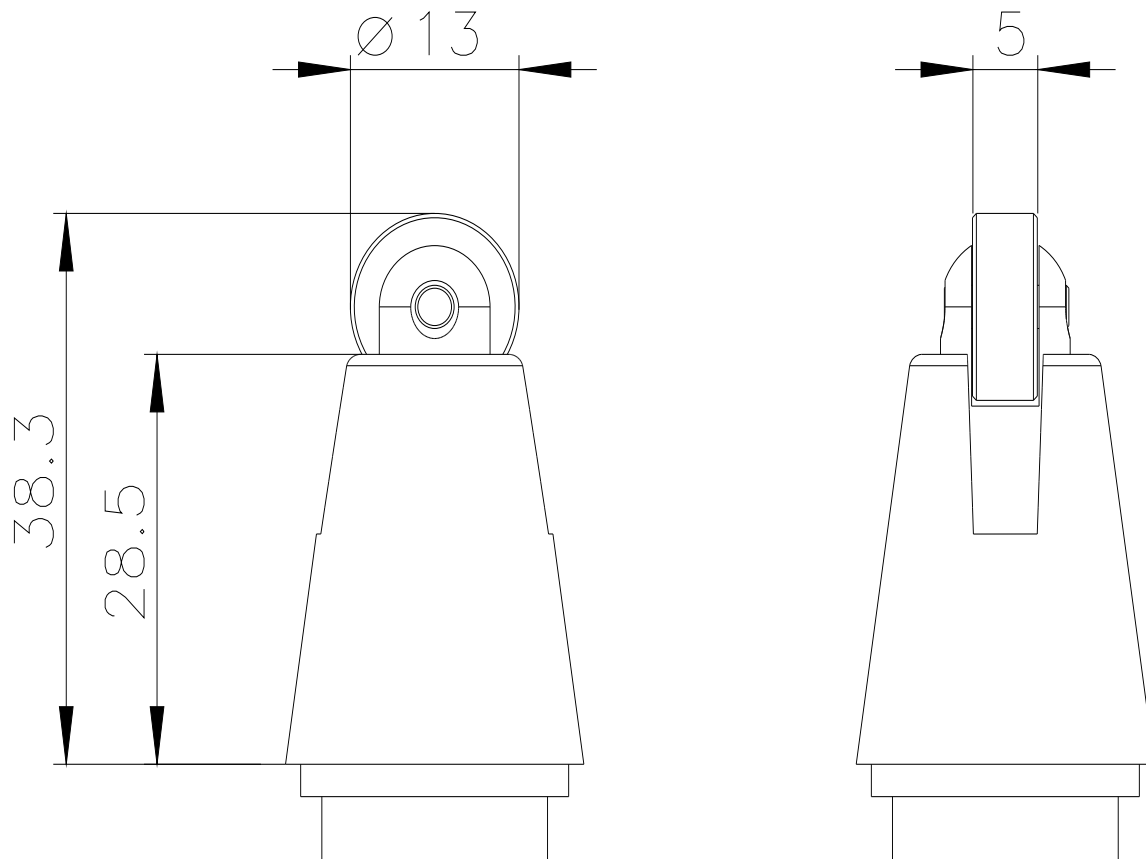
<http://support.automation.siemens.com/WW/CAXorder/default.aspx?lang=en&mfb=3SE5000-0AD02-1AJ0>

Service&Support (Manuals, Certificates, Characteristics, FAQs,...)

<https://support.industry.siemens.com/cs/ww/en/ps/3SE5000-0AD02-1AJ0>

Image database (product images, 2D dimension drawings, 3D models, device circuit diagrams, EPLAN macros, ...)

[http://www.automation.siemens.com/bilddb/cax\\_de.aspx?mfb=3SE5000-0AD02-1AJ0&lang=en](http://www.automation.siemens.com/bilddb/cax_de.aspx?mfb=3SE5000-0AD02-1AJ0&lang=en)



last modified:

12/21/2020