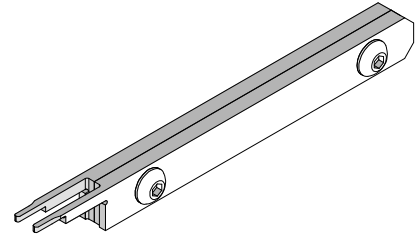




**Mini-Fit Sr.™  
Extractor Tool**

**Application Tooling  
Specification Sheet**



**Order No. 63813-0400**

**FEATURES**

- This Extractor Tool is for the removal of male and female Mini-Fit Sr.™ Crimp Terminals from their appropriate housings
- This tool measures 9.5mm (.38”) square by 101.6 mm (4.0”) long and weights about .050 kg (1.7 oz).

**SCOPE**

Products: Mini-Fit Sr.™ Crimp Terminals, 8-16 AWG.

Terminal Series No.	Housing Series No.	Terminal Order No.					
		42815	42816 43914	42815-0010	42815-0011	42815-0012	42815-0018
42815-0031	42815-0032			42815-0038	42815-0040	42815-0041	42815-0042
42815-0048	42815-0049						
42817	42818 43938	42817-0010	42817-0011	42817-0012	42817-0018	42817-0019	42817-0030
		42817-0031	42817-0032	42817-0040	42817-0041	42817-0042	42817-0048
		42817-0049	42817-0110	42817-0111	42817-0112	42817-0130	42817-0131
		42817-0132	42817-0140	42817-0141	42817-0142	42817-0149	

**OPERATION:**

1. Remove the TPA
2. Insert the tool into the housing as shown in Figure 1.

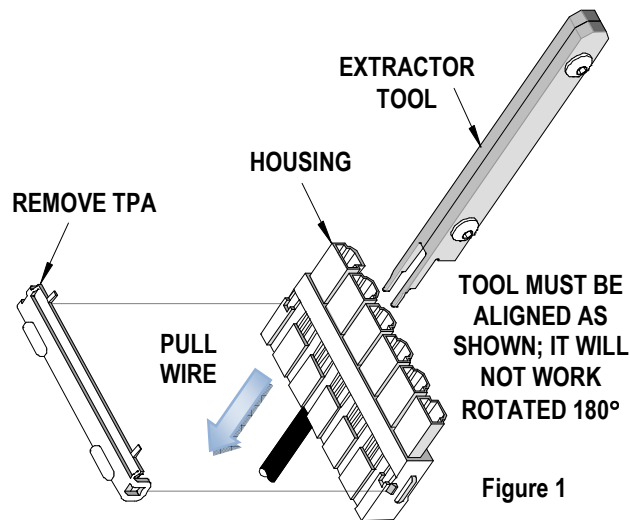
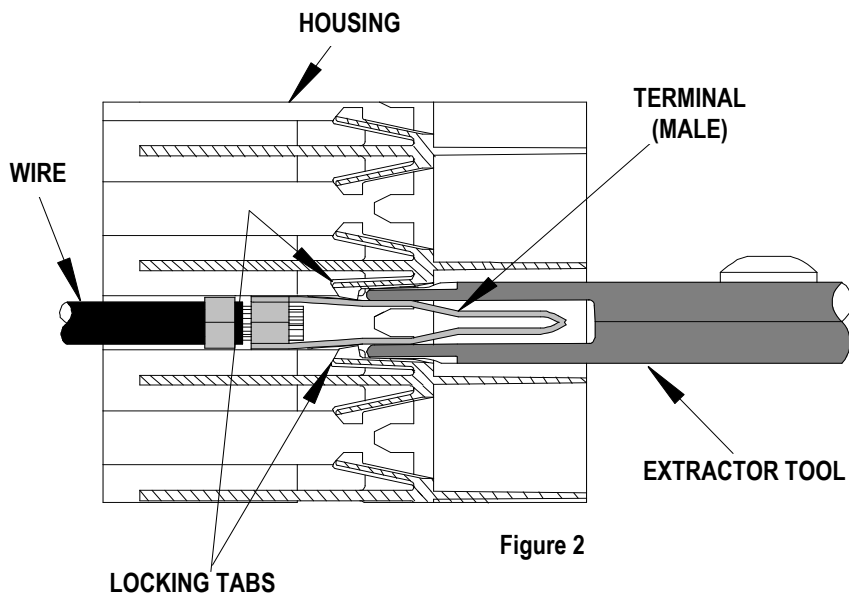


Figure 1

3. Use the slots located inside of the housing to guide the extraction tool into the housing.
4. Continue to insert the tool until tabs on the sides of the housing are pushed aside. Male terminal is shown in Figure 2; the alignment for the female is the same.
5. Gently pull the wire out of the housing once the tabs are pushed apart.



**CAUTION:** This extractor tool should be used to extract the terminal only. Using it for unintended purposes may cause injury or damage to parts. Be careful not to deform the end of the terminal. Avoid lifting the housing lock too high.

**CAUTION:** Molex specifications are valid only when used with Molex terminals, applicators and tooling.

Molex does not offer repair parts for Extractor Tools due to the inexpensive nature of these tools.

### Contact Information

For more information on Molex application tooling please contact Molex at 1-800-786-6539.

Visit our Web site at <http://www.molex.com>