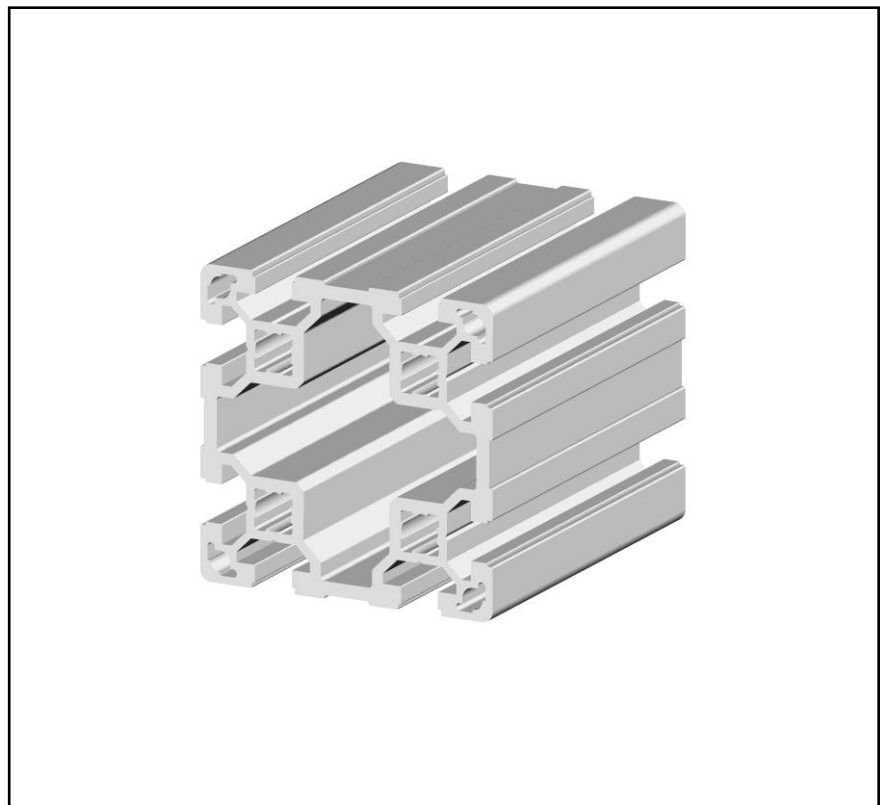


## Features

- Light-weight aluminium alloy
- Suitable for cut to length application
- Structural element type: Strut Profile
- Compatible with support and connector accessories

## RS PRO Strut Profile Type B, 80x80L, 10 mm Groove, 2000 mm Length

RS Stock No.: 0766818



RS Professionally Approved Products bring to you professional quality parts across all product categories. Our product range has been tested by engineers and provides a comparable quality to the leading brands without having a premium price.

## Product Description

RS PRO aluminum profiles offer a modular solution for building structures, frameworks and workstations. Many components and connectors allow you to choose from a wide range of applications. The modular system includes different profile types and lengths of 1 m, 2 m and 3 m with different cross-sections and groove-sizes in grid dimensions from 20 mm to 90 mm.

## General Specifications

<b>Structural Element Type</b>	Strut Profile / Aluminium Profile
<b>Number of Grooves</b>	4
<b>Material</b>	Aluminium anodized
<b>Colour</b>	Silver
<b>Product System</b>	Construction, Workstations, Industrial equipment, Automotive manufacturing

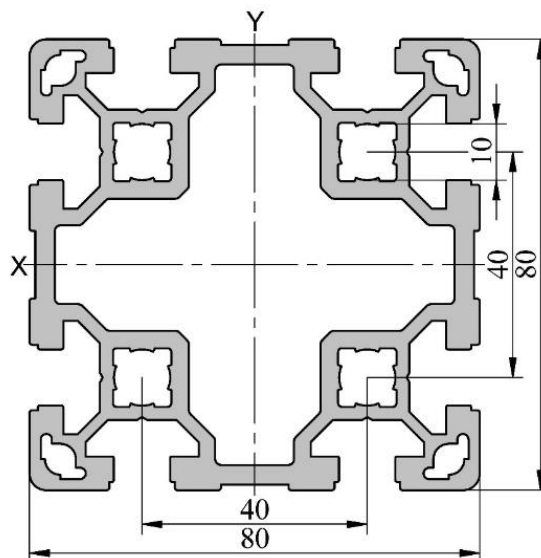
## Mechanical Specifications

<b>Strut Profile</b>	80 x 80 mm
<b>Length</b>	2000 mm
<b>Groove Size</b>	10 mm
<b>Mass (G)</b>	4.98 kg/m
<b>Moment of Inertia (Ix, Iy)</b>	132.62 cm <sup>4</sup>
<b>Section Modulus (Wx, Wy)</b>	33.16 cm <sup>3</sup>

## Compatible Accessories for Groove

Stock No.	Items
276-8159	RS PRO Uniblock 25, Black Slot 10
276-8160	RS PRO Slot 10, Roll in T-Slot Nut, with Spring, M5
276-8161	RS PRO Slot 10, Roll in T-Slot Nut, with Spring, M6
276-8162	RS PRO Slot 10, Roll in T-Slot Nut, with Spring, M8
276-8171	RS PRO Slot 10, Hammer Nut, M4
276-8172	RS PRO Slot 10, Hammer Nut, M5
276-8173	RS PRO Slot 10, Hammer Nut, M6
276-8176	Slot 10, Hammer Head Screw, M8x20
276-8177	Slot 10, Hammer Head Screw, M8x25
276-8178	Slot 10, Hammer Head Screw, M8x30
276-8179	Slot 10, Hammer Head Screw, M8x25
276-8181	Central Connector, Slot 10, 0°
276-8182	Central Connector, Slot 10, 90°
276-8187	Cover Profile, Slot 10, Black
276-8188	Cover Profile, Slot 10, Grey

## Dimentional Drawing



## Similar Products

Parameters	264-7838	264-7840	264-7841	264-7843
<b>Brand</b>	RS PRO	RS PRO	RS PRO	RS PRO
<b>Structural Element Type</b>	Strut Profile / Aluminium Profile	Strut Profile / Aluminium Profile	Strut Profile / Aluminium Profile	Strut Profile / Aluminium Profile
<b>Number of Grooves</b>	4	2	3	6
<b>Material</b>	Aluminium, anodized	Aluminium, anodized	Aluminium, anodized	Aluminium, anodized
<b>Colour</b>	silver	silver	silver	silver
<b>Product System</b>	Construction, Workstations, Industrial equipment, Automotive manufacturing	Construction, Workstations, Industrial equipment, Automotive manufacturing	Construction, Workstations, Industrial equipment, Automotive manufacturing	Construction, Workstations, Industrial equipment, Automotive manufacturing
<b>Strut Profile</b>	40 x 40 mm	40 x 40 mm	40 x 40 mm	40 x 80
<b>Length</b>	2000 mm	3000 mm	3000 mm	3000 mm
<b>Groove Size</b>	10	10	10	10
<b>Round Tube Outer Diameter</b>				
<b>Tube Thickness</b>				
<b>Square Tube Profile</b>				
<b>Mass (G)</b>	1.51 kg/m	1.61 kg/m	1.56 kg/m	2.66 kg/m
<b>Moment of Inertia (I<sub>x</sub>, I<sub>y</sub>)</b>	9,06 cm <sup>4</sup>	9,71 cm <sup>4</sup>	9,69 cm <sup>4</sup> 9,08 cm <sup>4</sup>	63.24 cm <sup>4</sup> 17.23 cm <sup>4</sup>
<b>Section Modulus (W<sub>x</sub>, W<sub>y</sub>)</b>	4,53 cm <sup>3</sup>	4,72 cm <sup>3</sup>	4,71 cm <sup>3</sup> 4,54 cm <sup>3</sup>	15.81 cm <sup>3</sup> 8.61 cm <sup>3</sup>
<b>Standards Met</b>				