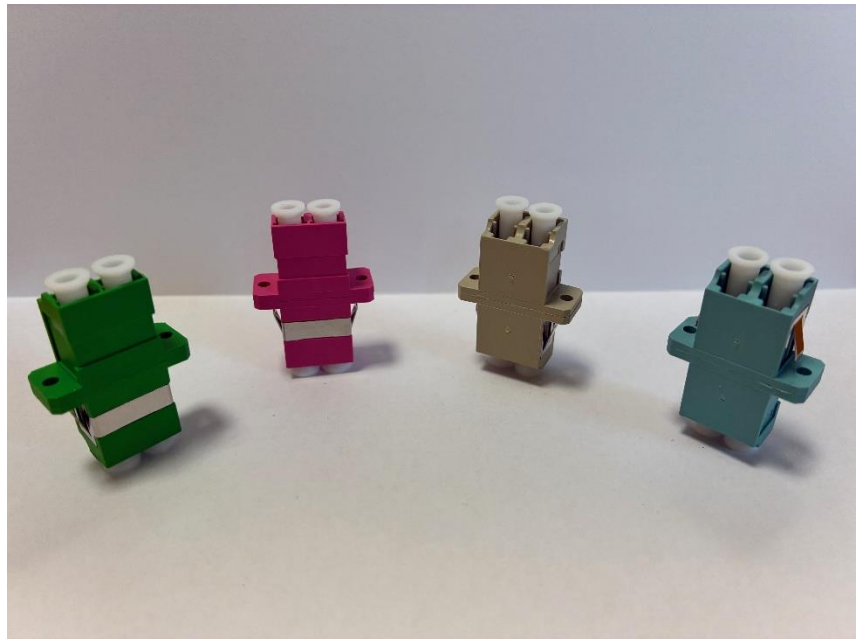


## Features

- High precision alignment ceramic sleeve
- Low insertion loss
- Mating durability over 200 connections
- Compliant to IEC 61754-20

## RS PRO Adapter LC/PC Dx rect. LL Zr sleeve

RS Stock No.: 0794536



RS PRO is the own brand of RS. The RS PRO Seal of Approval is your assurance of professional quality, a guarantee that every part is rigorously tested, inspected, and audited against demanding standards. Making RS PRO the Smart Choice for our customers.

## Product Description

This specification covers the requirement of the adapter LC Duplex SC Footprint for SM applications according to IEC 61754-20.

## General Specifications

Colour	Green RAL 6018 4003
External housing	PBT 20% FRP
Dust cap	PP
Mount Plate	Stainless steel
Sleeve	Zirconia
Operating Temperature [°C]	Min. -25 Max. +70
Storage Temperature [°C]	Min. -40 Max. +85

## Optical Specifications

Insertion loss variation during withdrawal	< 0.20 dB
Insertion loss variation after 500 connections	< 0.10 dB
Tensile strength of welding	> 50 N
LC Dx PC, Standard Zirconia Sleeve	< 0.15
Max Insertion Loss [dB]	IEC 61300-3-42

## Approvals

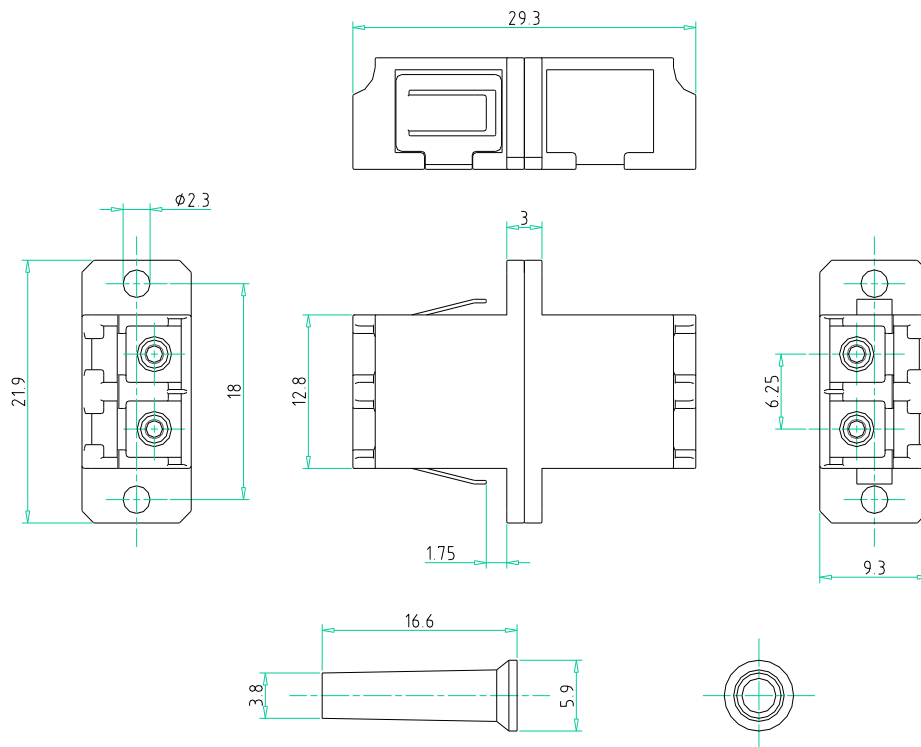
<b>Declarations</b>	MFR Declaration of Conformity
<b>Hazardous Area Certification</b>	IEC 61754-20
<b>Standards Met</b>	RoHS and REACH

## Similar Products

Stock No.	Brand	Product Name	Attribute 1	Attribute 2
0794539	RS PRO	Adapter LC/PC Dx	Erika Violet	RAL 4003
0794538	RS PRO	Adapter LC/PC Dx	Aqua	RAL 6027
0794537	RS PRO	Adapter LC/PC Dx	Beige	RAL 1013

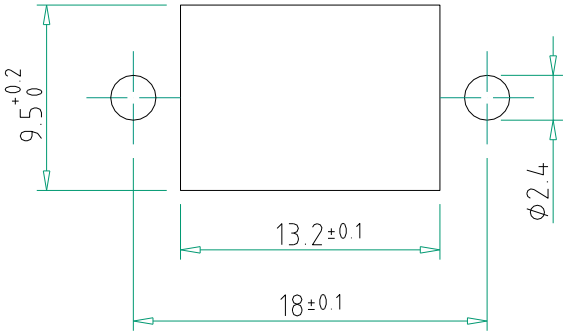
## Technical Drawings

LC Duplex Adapter SC Footprint - Flanged



## Recommended panel hole

Panel Hole



Panel Thickness

