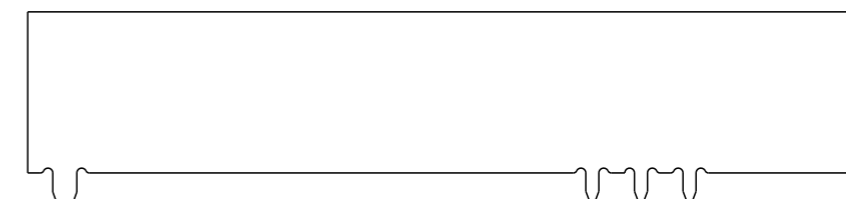
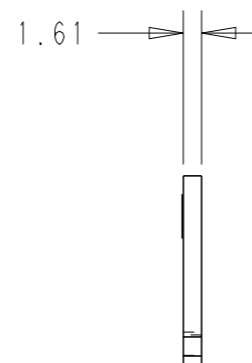
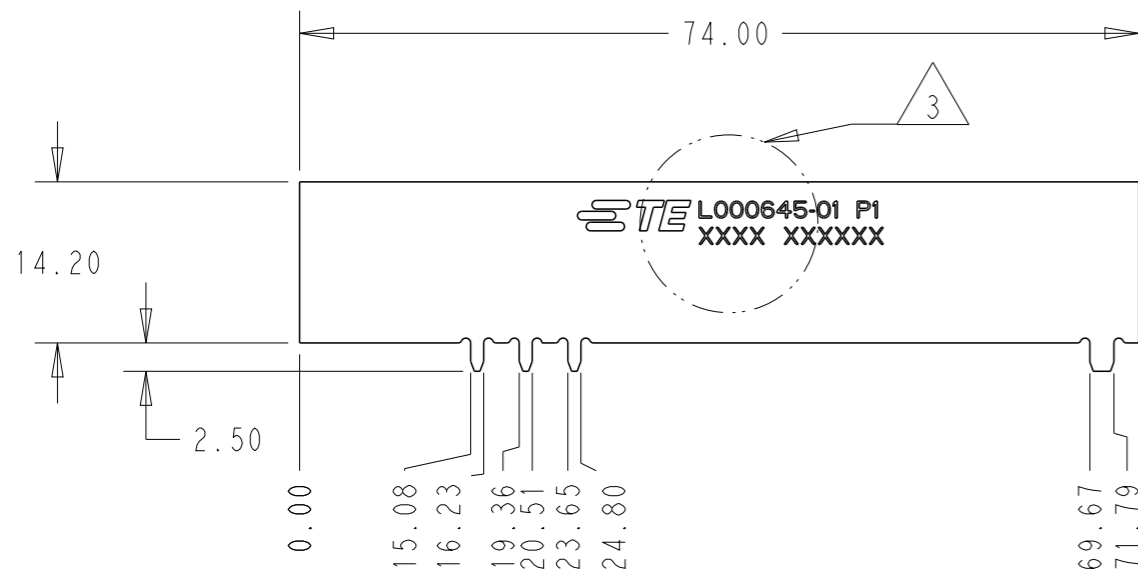


P	LTR	DESCRIPTION	DATE	DWN	APVD
	1	NEW DRAWING	26JUN2024	DC	NW
	A	GTP ECN-24-279601	12AUG2024	DC	NW

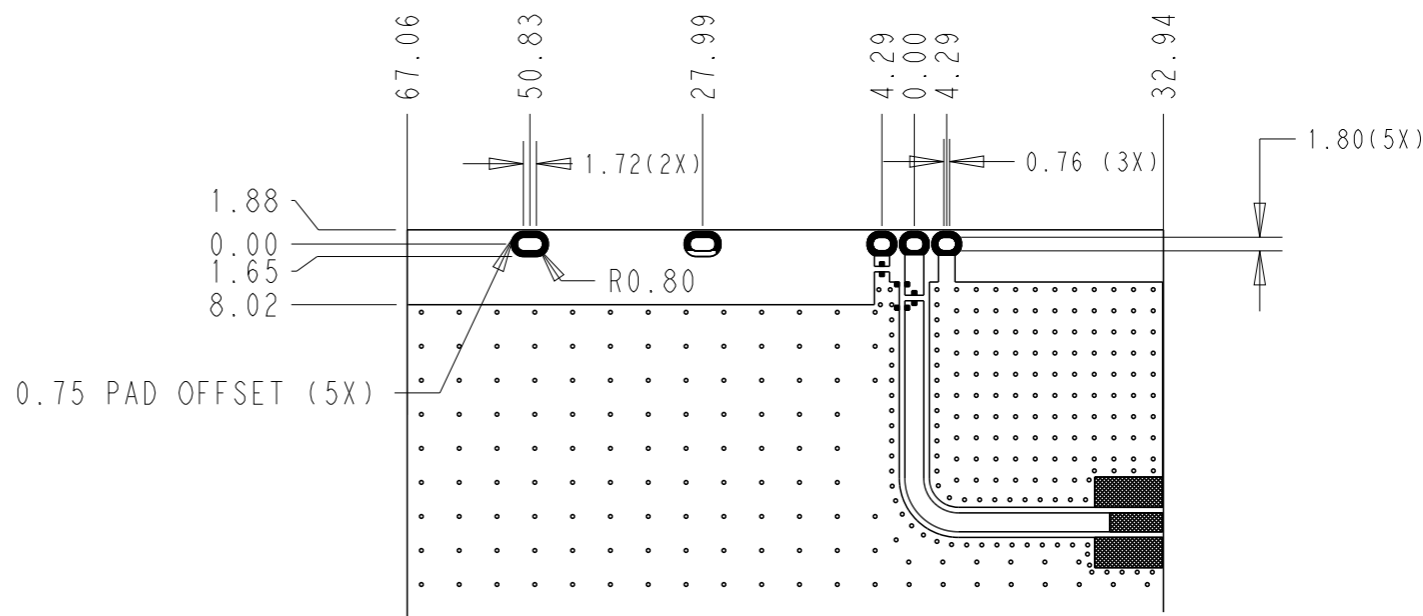


NOTE

- FABRICATE TO MEET IPC-6012, CLASS 2  
INSPECT TO MEET IPC-A-600, CLASS 2
- MATERIAL :PCB RF-4

3. SILKSCREEN; WHITE EPOXY INK  
 A. TE LOGO, P/N  
 B. WORD REV, FOLLOWED BY LATEST REVISION LETTER AS SHOWN  
 C. 4 DIGIT DATE CODE 1ST 2 DIGITS FOR WEEK CODE AND THE 2ND TWO DIGITS FOR YEAR CODE, OTHERS SOECIFC TE SOURCE CODE NUMBER AS REQUIRED

- FINISH  
 A. PLATING : 1/2 OZ COPPER (FOR THROUGH HOLE)  
 B. SOLDERMASK OVER BARE COPPER(SMOBC)  
 C. SOLDERMASK COLOR : ORANGE
- CONSULT TE CONNECTIVITY DATASHEET L000645
- PACKAGE INNER BOX PACKAGED IN BULK
- CONTACT TE CONNECTIVITY ENGINEERING PRIOR TO DESIGN INTO AN APPLICATION
- COMPLIANCE ROHS STANDARDS PER TE CONNECTIVITY TEC-138-702
- GENERAL TOLERANCE 0.2mm

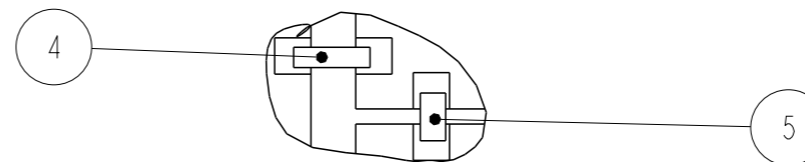
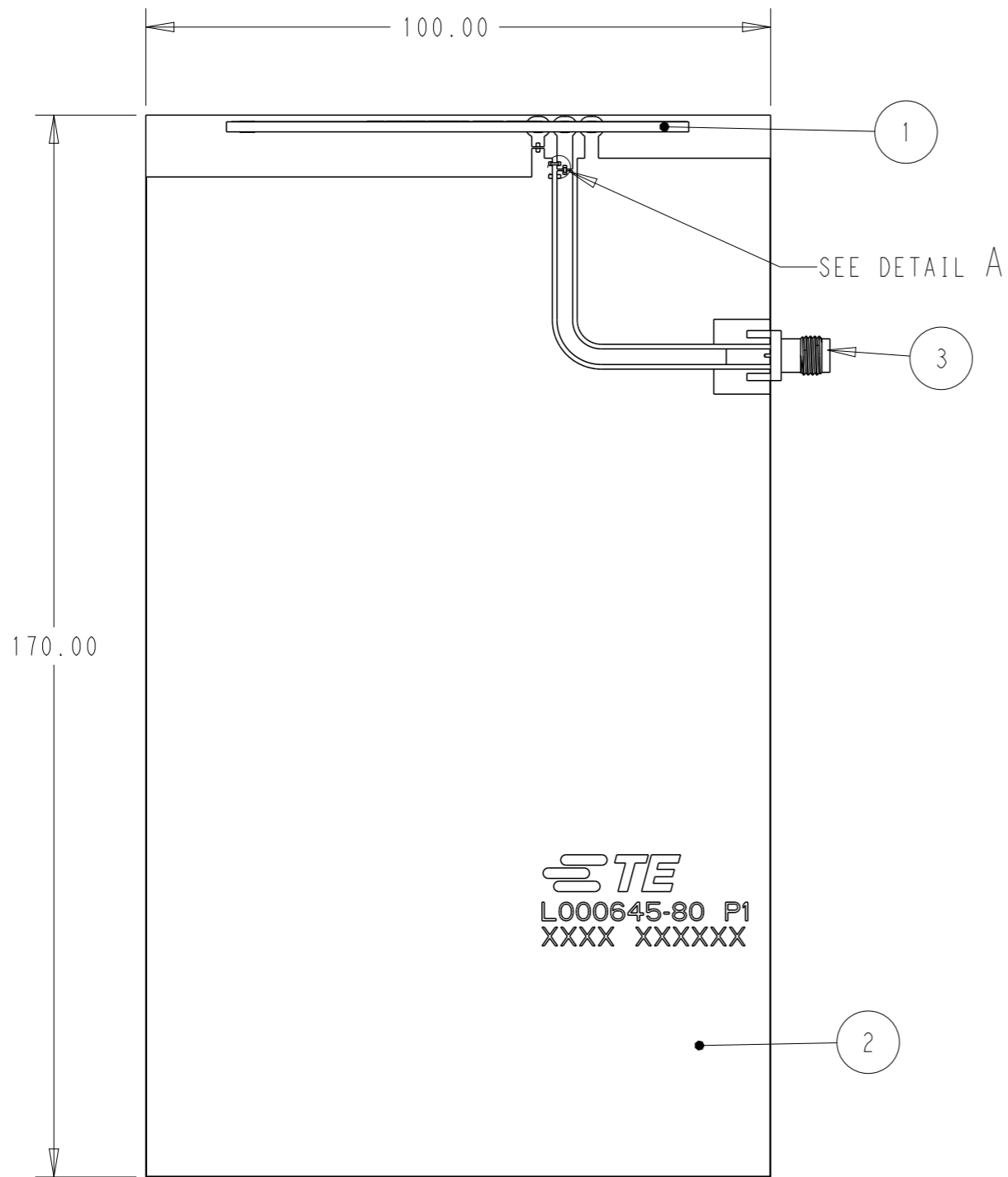


(REFERENCE PCB LAYOUT)

L000645-01  
PART NUMBER

THIS DRAWING IS A CONTROLLED DOCUMENT.		DWN	26JUN2024	TE Connectivity	
		CHK	28JUN2024		
		APVD	28JUN2024		
		PRODUCT SPEC	-		
DIMENSIONS: mm		TOLERANCES UNLESS OTHERWISE SPECIFIED:		NAME PCB ANT, TAB MOUNT, 617-7125MHZ	
		0 PLC	±-	APPLICATION SPEC	
		1 PLC	±-	-	
		2 PLC	±0.2	-	
		3 PLC	±-	-	
MATERIAL TBD material_2		FINISH -		SIZE A3	
		CUSTOMER DRAWING		CAGE CODE 00779	DRAWING NO L000645
		SCALE 3:2		RESTRICTED TO -	
		SHEET 1 OF 2		REV A	

P	LTR	DESCRIPTION	DATE	DWN	APVD
-	-	SEE SHEET 1	-	-	-



DETAIL A  
SCALE 8:1

1. MATERIAL :SEE TABLE
2. MATCHING CIRCUIT CONNDITION : SEE TABLE  
SMA CONNECTOR UP TP 10 GHZ
3. SILKSCREEN; WHITE EPOXY INK
4. CONSULT TE CONNECTIVITY DATASHEET L000645
5. PACKAGE INNER BOX PACKAGED IN BULK
6. CONTACR TE CONNECTIVITY ENGINEERING  
PRIOR TO DESIGN INTO AN APPLICATION
7. SILKSCREEN; WHITE EPOXY INK  
A. TE LOGO, P/N  
B. WORD REV, FOLLOWED BY LATEST REVISION LETTER AS SHOWN  
C. 4 DIGIT DATE CODE 1ST 2 DIGITS FOR WEEK CODE AND THE 2ND TWO DIGITS FOR YEAR CODE, OTHERS SOECIFC TE SOURCE CODE NUMBER AS
8. COMPLIANCE ROHS STANDARDS PER TE CONNECTIVITY TEC-138-702

**TE**  
L000645-80 P1  
XXXX XXXXXX

SCALE 1:1

L000645-80  
PART NUMBER

QTY	DESCRIPTION	ITEM
1	CAPACITOR 6.8pF	5
1	INDUCTANCE 10nH	4
1	SMA FEMALE to 10GHZ	3
1	EVLAUATE PCB	2
1	PCB ANTENNA	1

THIS DRAWING IS A CONTROLLED DOCUMENT.		DWN DC 26JUN2024	TE Connectivity NAME PCB ANT, TAB MOUNT, 617-7125MHZ - -	
DIMENSIONS: mm		CHK SJ 28JUN2024		
TOLERANCES UNLESS OTHERWISE SPECIFIED:		APVD NW 28JUN2024		
0 PLC ±- 1 PLC ±- 2 PLC ±0.2 3 PLC ±- 4 PLC ±- ANGLES ±-		PRODUCT SPEC -	SIZE A3	
MATERIAL TBD material_2		FINISH -	APPLICATION SPEC -	CAGE CODE 00779
		WEIGHT -	RESTRICTED TO -	DRAWING NO C=L000645
CUSTOMER DRAWING			SCALE 1:1	SHEET 2 OF 2
			REV A	