



MATE-N-LOK | 0.140 MATE-N-LOK

TE Internal #: 925662-2

Tin (Sn), Pin Contact, 14 – 10 AWG, 250 VAC, 2.08 – 5.26 mm² Wire, Locking Lance Contact Retention, Crimp, Phosphor Bronze, Power, 0.140 MATE-N-LOK

[View on TE.com >](#)

Connectors > Contacts > Connector Contacts



Contact Type: **Pin**

Contact Mating Area Plating Material: **Tin (Sn)**

Wire Contact Termination Area Plating Material: **Pre-Tin**

Operating Voltage: **250 VAC**

Contact Retention Within Housing: **With**

Features

Electrical Characteristics

Operating Voltage	250 VAC
-------------------	---------

Contact Features

Contact Type	Pin
Contact Mating Area Plating Material	Tin (Sn)
Wire Contact Termination Area Plating Material	Pre-Tin
Contact Retention Within Housing	With
Contact Base Material	Phosphor Bronze
Contact Current Rating (Max)	17 A
Mating Pin Diameter	3.56 mm[.14 in]
Wire Contact Termination Area Plating Thickness	1 – 3 μm[39.37 – 118.11 μin]
Wire Contact Termination Area Plating Material Finish	Bright
Contact Orientation	Straight

Termination Features

Termination Method to Wire & Cable	Crimp
------------------------------------	-------



Product Terminates To

Wire & Cable

Mechanical Attachment

Contact Retention Type Within Housing

Locking Lance

Wire Insulation Support

With

Dimensions

Wire Size

2.08 – 5.26 mm²

Compatible Insulation Diameter Range

2.6 – 4.5 mm [.1 – .177 in]

Usage Conditions

Operating Temperature Range

-55 – 105 °C [-67 – 221 °F]

Operation/Application

Circuit Application

Power

Packaging Features

Packaging Quantity

500

Packaging Method

Box

Product Compliance

[For compliance documentation, visit the product page on TE.com>](#)

EU RoHS Directive 2011/65/EU

Compliant

EU ELV Directive 2000/53/EC

Compliant

China RoHS 2 Directive MIIT Order No 32, 2016

有害物质含量符合标准要求 No Restricted Substance(s) Above Threshold

EU REACH Regulation (EC) No. 1907/2006

Current ECHA Candidate List: JUNE 2025 (250)
Candidate List Declared Against: JUNE 2025 (250)
Does not contain REACH SVHC

Halogen Content

Low Halogen - Br, Cl, F < 900 ppm per homogenous material. Also BFR/CFR/PVC Free

Solder Process Capability

Not applicable for solder process capability

Product Compliance Disclaimer

This information is provided based on reasonable inquiry of our suppliers and represents our current actual knowledge based on the information they provided. This information is subject to change. The part numbers that TE has identified as EU RoHS compliant have a maximum concentration of 0.1% by weight in homogenous materials for lead, hexavalent chromium, mercury, PBB, PBDE, DBP, BBP, DEHP, DIBP, and 0.01% for cadmium, or qualify for an exemption to these limits as defined in the Annexes of Directive 2011/65/EU (RoHS2). Finished electrical and electronic equipment products will be CE marked as required by Directive 2011/65/EU. Components may not be CE marked. Additionally, the part



numbers that TE has identified as EU ELV compliant have a maximum concentration of 0.1% by weight in homogenous materials for lead, hexavalent chromium, and mercury, and 0.01% for cadmium, or qualify for an exemption to these limits as defined in the Annexes of Directive 2000/53/EC (ELV). Regarding the REACH Regulation, the information TE provides on SVHC in articles for this part number is based on the latest European Chemicals Agency (ECHA) 'Guidance on requirements for substances in articles' posted at this URL: <https://echa.europa.eu/guidance-documents/guidance-on-reach>

Compatible Parts



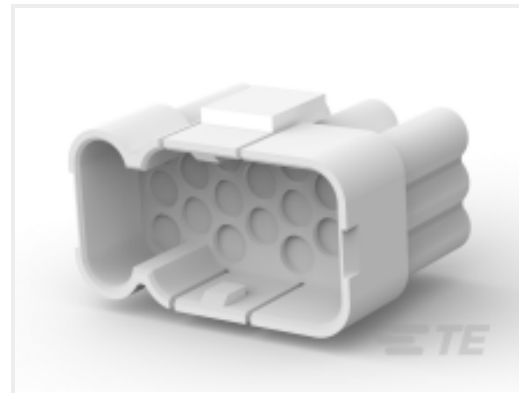
TE Part # 794683-1
09P .140 MNL CAP BLK HT



TE Part # 1-350347-0
03P .140 MNL CAP PM NAT



TE Part # 794061-1
03P .140 MNL CAP BLK HT



TE Part # 925450-1
M-N-L PIN HSG



TE Part # 1-480673-0
09P .140 MNL CAP PM NAT



TE Part # 1-480512-0
04P .140 MNL CAP NAT



TE Part # 1-480586-0
09P .140 MNL CAP NAT



TE Part # 1-350345-0
02P .140 MNL CAP P/M NAT



TE Part # 926995-1
.140 DIA MNL SOCKET



TE Part # 539764-1
EXTRACTION TOOL

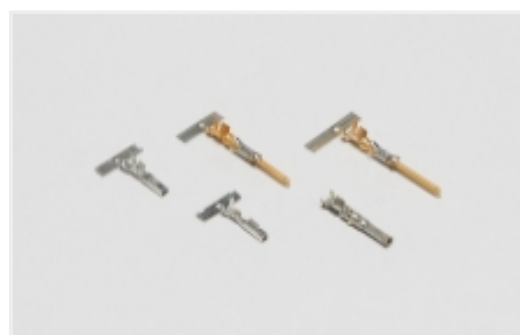
Also in the Series | 0.140 MATE-N-LOK



Connector Contacts(27)



Insertion & Extraction Tools(1)



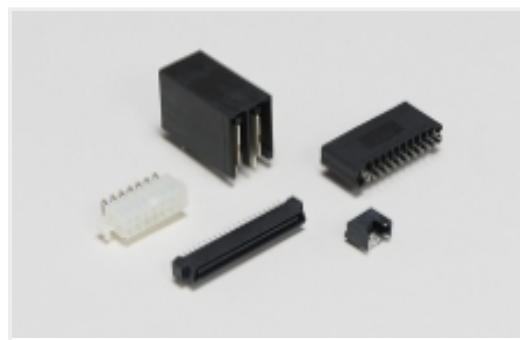
Power Contacts(24)



Rectangular Connector Housings(13)



Rectangular Power Connectors(13)

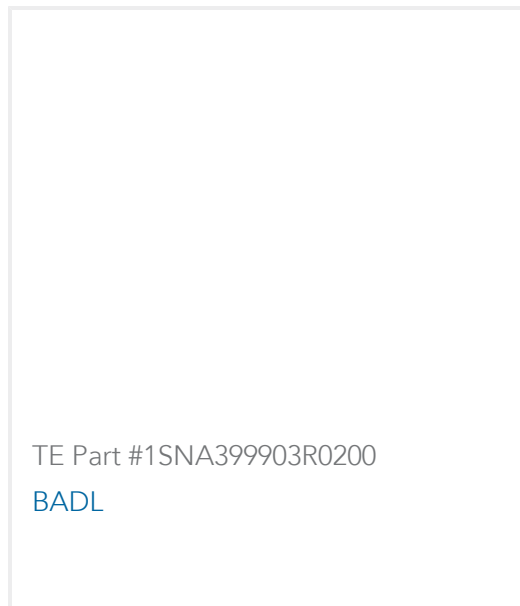


Standard Rectangular Connectors(13)

Customers Also Bought



TE Part #1SNK516011R0000
ZS50



TE Part #1SNA399903R0200
BADL



TE Part #1SNK522010R0000
ZS70



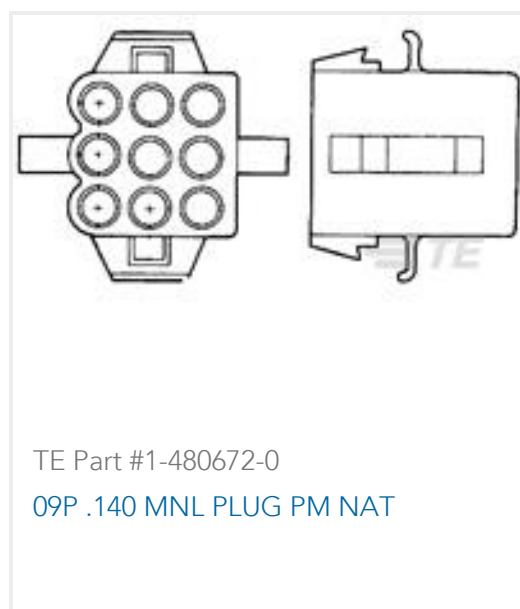
TE Part #1SNK516020R0000
ZS35-BL



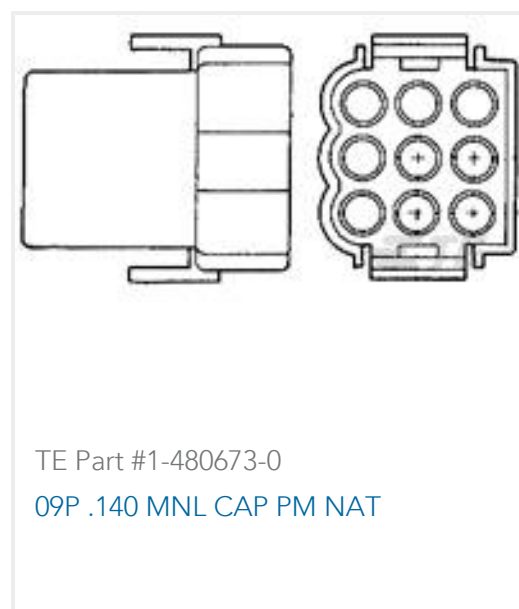
TE Part #1SNK910302R0000
JB10-2



TE Part #0915756003
LSTT-R-9.5-0



TE Part #1-480672-0
09P .140 MNL PLUG PM NAT



TE Part #1-480673-0
09P .140 MNL CAP PM NAT



TE Part #4-1418479-1
8POS,AMP MCP1.5K,REC. HSG



TE Part #4-2112162-1
21POS,TAB2.8X0.8,TABHSG,CODE D,
ASSY,SLD

Documents

Product Drawings

[.140 DIA PIN](#)

English

CAD Files

[3D PDF](#)

3D

Customer View Model

[ENG_CVM_CVM_925662-2_L_c-925662-2-l.2d_dxf.zip](#)



English

Customer View Model

[ENG_CVM_CVM_925662-2_L_c-925662-2-l.3d_igs.zip](#)

English

Customer View Model

[ENG_CVM_CVM_925662-2_L_c-925662-2-l.3d_stp.zip](#)

English

By downloading the CAD file I accept and agree to the [Terms and Conditions](#) of use.

Product Specifications

[Product Specification](#)

English