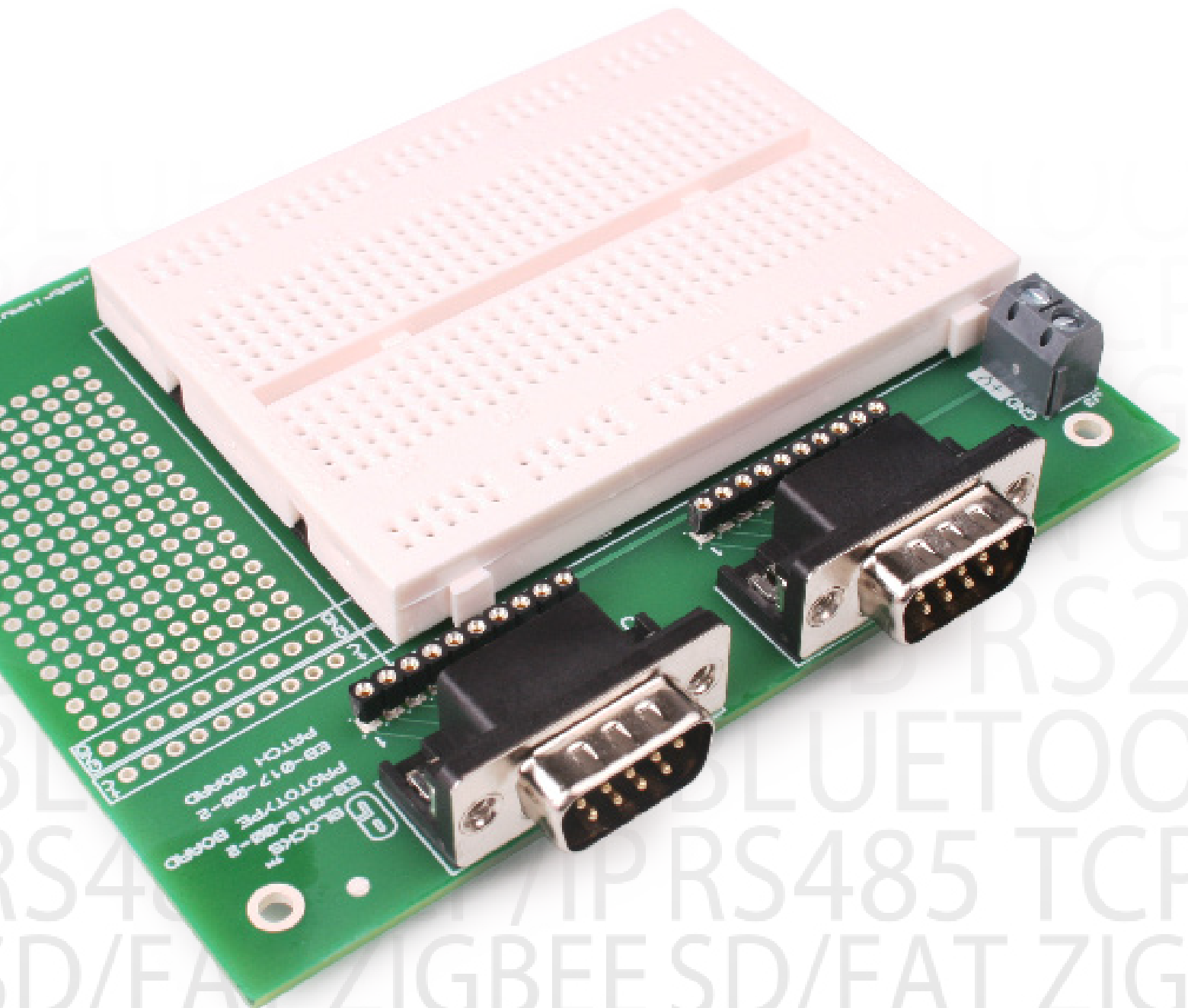


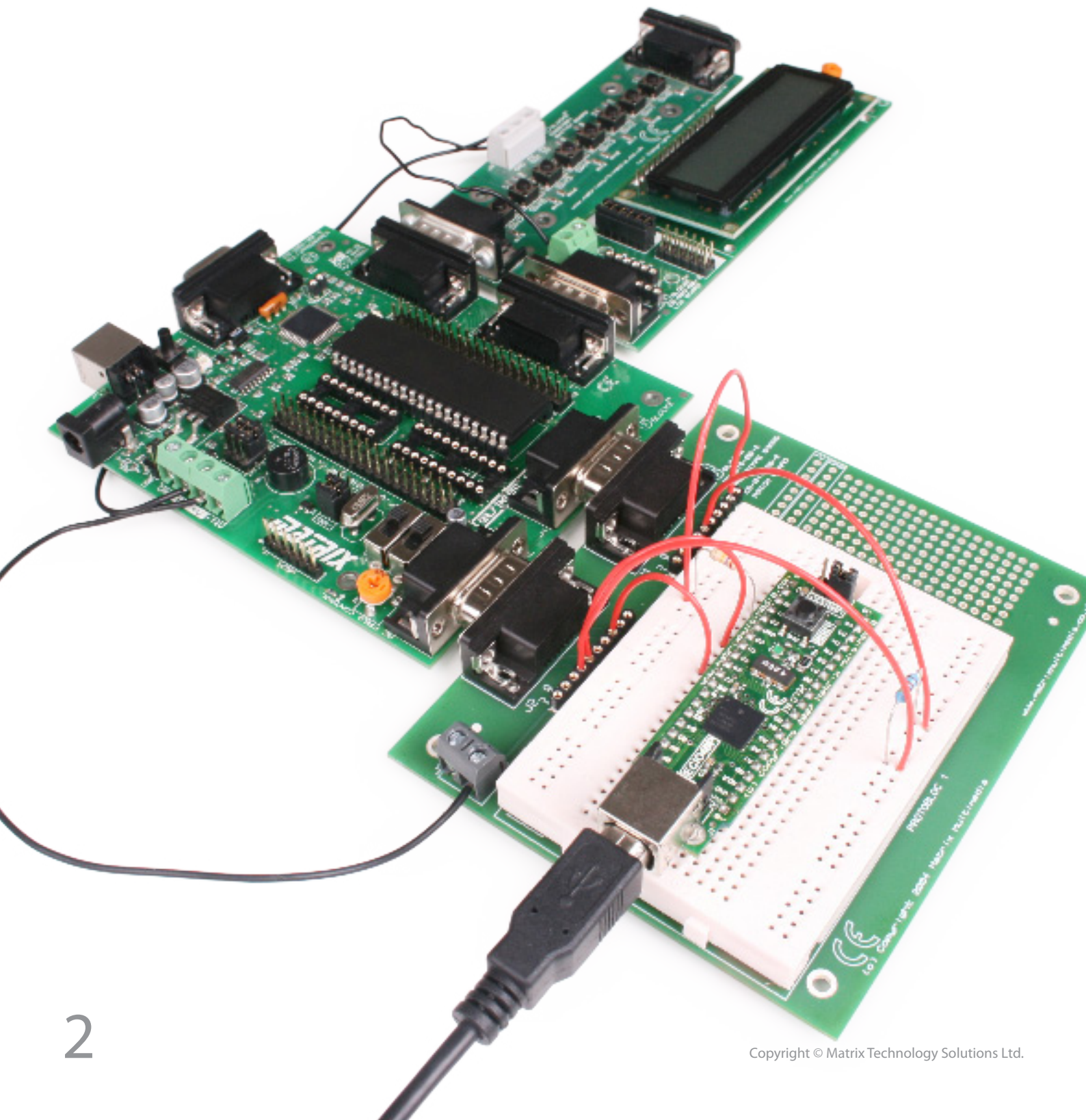
EBLOCKS[®]

Prototype board



Contents

About this document	3
Board layout	3
General information	4
Circuit description	4
Circuit diagram	5



About this document

This document concerns the EB016 E-blocks prototype board.

1. Trademarks and copyright

PIC and PICmicro are registered trademarks of Arizona Microchip Inc. E-blocks is a trademark of Matrix Technology Solutions Ltd.

2. Disclaimer

The information provided within this document is correct at the time of going to press. Matrix TSL reserves the right to change specifications from time to time.

3. Testing this product

It is advisable to test the product upon receiving it to ensure it works correctly. Matrix provides test procedures

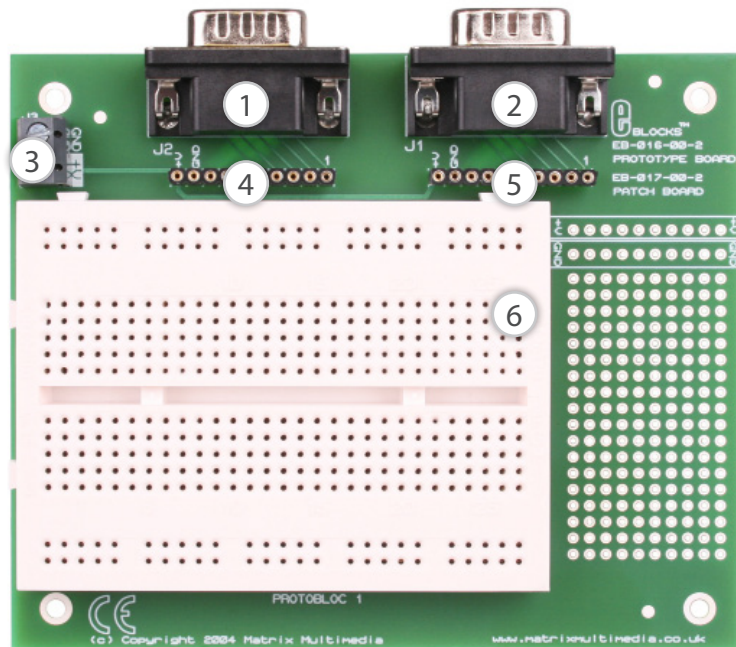
for all E-blocks, which can be found in the Support section of the website.

4. Product support

If you require support for this product then please visit the Matrix website, which contains many learning resources for the E-blocks series. On our website you will find:

- How to get started with E-blocks - if you are new to E-blocks and wish to learn how to use them from the beginning there are resources available to help.
- Relevant software and hardware that allow you to use your E-blocks product better.
- Example files and programs.
- Ways to get technical support for your product, either via the forums or by contacting us directly.

Board layout



1. 9-way D-type socket
2. 9-way D-type socket
3. Screw terminal
4. Pin connector for D-type socket
5. Pin connector for D-type socket
6. Proto breadboard

General information

This E-block contains a small prototype board for developing circuits and projects. This board has two E-block ports to connect to the upstream board, and allows prototype wires and leads to be connected to the rows and columns on the prototype board.

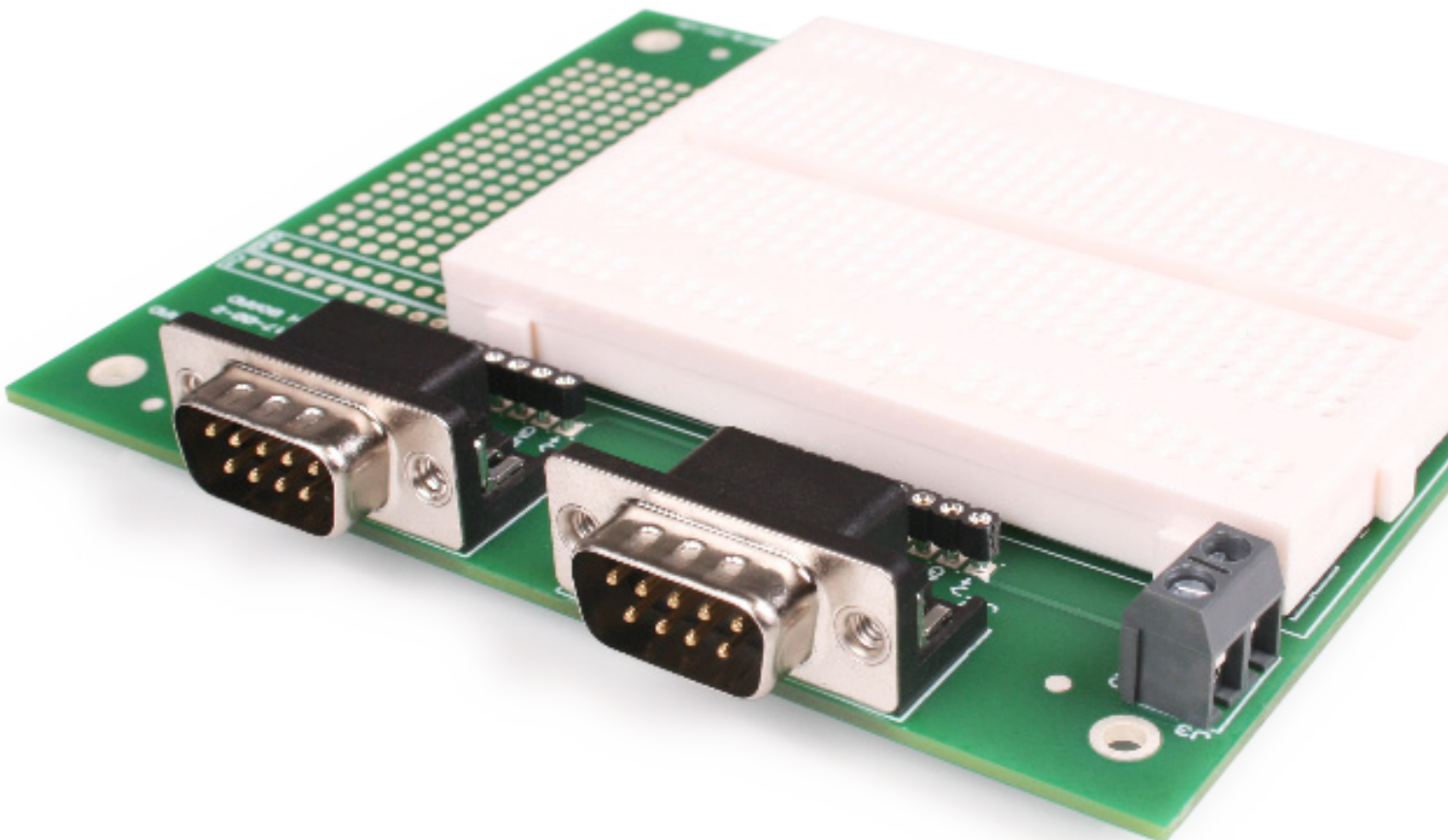
A small dedicated 'patch' area allows less simplistic components - like potentiometers and switches - to be soldered to the circuit board itself.

1. Features
 - 29 x 10 hole proto area
 - Separate lines for power rails
 - Patch area for non-proto components

Circuit description

The proto board is fairly straightforward to use as it functions just like a standard breadboard. The proto area allows you to develop temporary projects. It is then possible to connect any I/O to an upstream board via the header pins which are connected directly to the associated 9-way D-type connector. Access to "+V" and

"GND" can be made using wires from the header pins or there are dedicated lines. Although this does assume you have connected "+V" to the screw terminals. There is a small area that is available for soldering components; this is the 'mini patch' area.



Circuit diagram

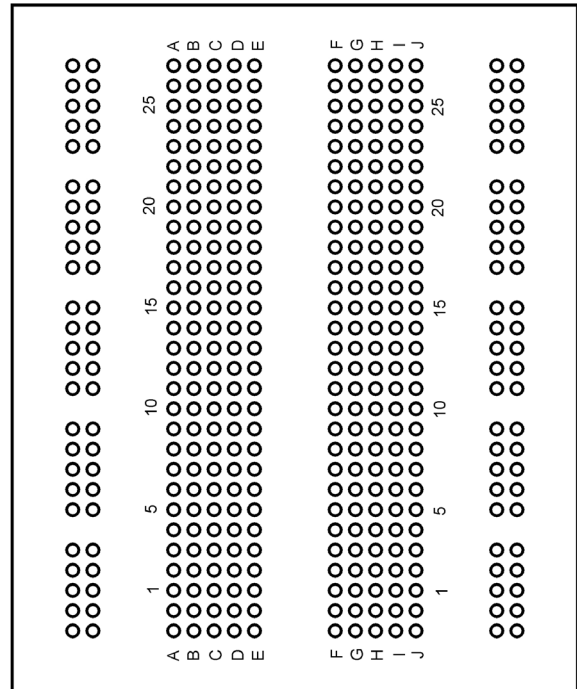
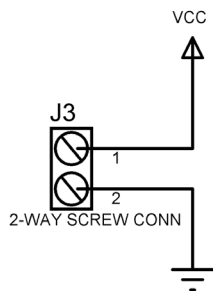
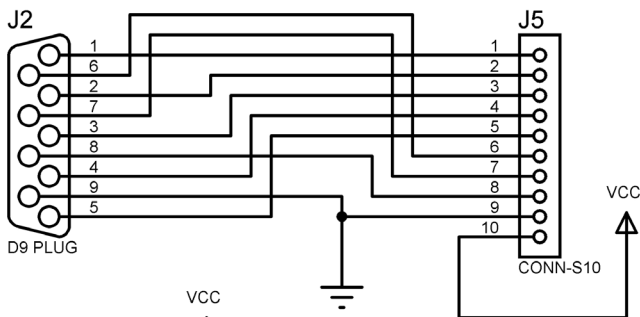
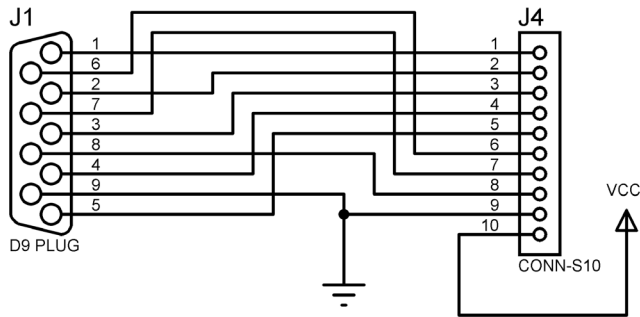
THIS SYSTEM INCLUDES:-

→ PROTOBLOC

→ F1 FEET
→ F2 FEET
→ F3 FEET
→ F4 FEET
→ F5 FEET

→ B1 BAG

→ L1 LABEL





Matrix Technology Solutions Ltd.
The Factory
33 Gibbet Street
Halifax, HX1 5BA, UK

t: +44 (0)1422 252380
e: sales@matrixtsl.com

www.matrixtsl.com

EB016-30-1