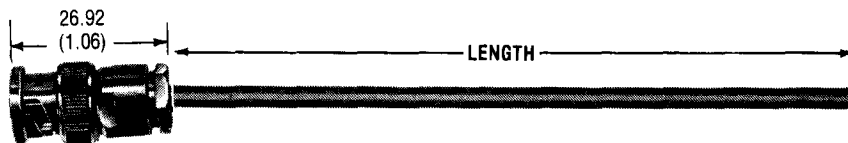


POMONA

CABLE ASSEMBLIES

CABLE ASSEMBLIES

BNC MALE ONE END ONLY



RG58C/U	RG59B/U	Length
1661-C-12	1661-E-12	304.8(12.0)
1661-C-24	1661-E-24	609.6(24.0)
1661-C-36	1661-E-36	914.4(36.0)
1661-C-48	1661-E-48	1219.2(48.0)
1661-C-60	1661-E-60	1524.0(60.0)

1ST END: BNC Male. Brass body, tarnish resistant plated. Center contact, brass, gold plated. Impedance: 50 Ohms.

CABLE: RG58C/U 4.95 mm (.195) O.D.
RG59B/U 6.15 mm (.242) O.D.

2ND END: None.
RATING: Operating Voltage: 500 VRMS Max.; +80°C. (+176°F.) Max.

BNC FEMALE EACH END



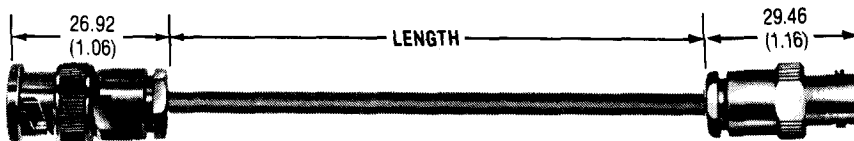
MODEL	Length
1808-C-12	304.8(12.0)
1808-C-24	609.6(24.0)
1808-C-36	914.4(36.0)
1808-C-48	1219.2(48.0)
1808-C-60	1524.0(60.0)

1ST END: BNC Female. Brass body, tarnish resistant plated. Center contact, beryllium copper, gold plated. Impedance: 50 Ohms.

CABLE: RG58C/U 4.95 mm (.195) O.D.

2ND END: Same as first end.
RATING: Operating Voltage: 500 VRMS Max.; +80°C. (+176°F.) Max.

BNC MALE TO BNC FEMALE



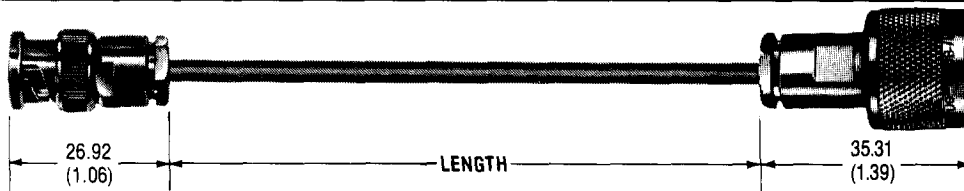
MODEL	Length
2223-C-12	304.8(12.0)
2223-C-24	609.6(24.0)
2223-C-36	914.4(36.0)
2223-C-48	1219.2(48.0)
2223-C-60	1524.0(60.0)

1ST END: BNC Male. Brass body, tarnish resistant plated. Center contact, brass, gold plated. Impedance: 50 Ohms.

CABLE: RG58C/U 4.95 mm (.195) O.D.

2ND END: BNC Female. Brass body, tarnish resistant plated. Center contact, beryllium copper, gold plated. Impedance: 50 Ohms.
RATING: Operating Voltage: 500 VRMS Max.; +80°C. (+176°F.) Max.

BNC MALE TO TYPE "N" MALE



MODEL	Length
1366-C-24	609.6(24.0)
1366-C-36	914.4(36.0)
1366-C-48	1219.2(48.0)

1ST END: BNC Male. Brass body, tarnish resistant plated. Center contact, brass, gold plated. Impedance: 50 Ohms.

CABLE: RG58C/U 4.95 mm (.195) O.D.

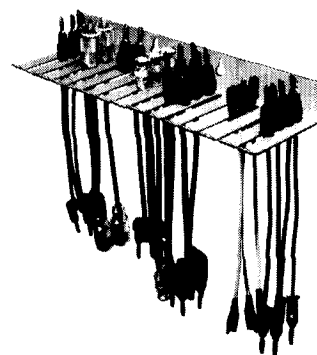
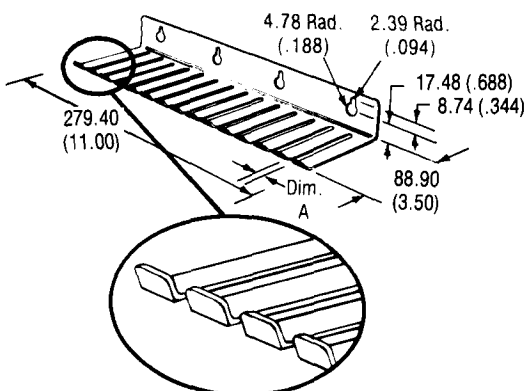
2ND END: Type "N" Male. Brass body, tarnish resistant plated. Center contact, brass, gold plated. Impedance: 50 Ohms.
RATING: Operating Voltage: 500 VRMS Max.; +80°C. (+176°F.) Max.

TEST LEAD HOLDER

TEST LEAD HOLDER

No need to spend time searching for a particular test lead. With these racks, all of your patch cords and cable assemblies can be conveniently filed for instant selection - within easy reach. Holder mounts quickly on any vertical surface. Test leads are easy to store, easy to remove. Three models to choose from for different size cables.

MATERIALS: Cold rolled steel.
FINISH: Baked enamel.



MODEL	Color	Max. Cable Dia. (Dim. A)
1508	Orange	5.33(.210)
4408	Black	8.13(.320)
2708	Blue	11.43(.450)