

rotronic

Datenblatt - Fiche technique - Data sheet

11.04.5450



ROLINE DVI-VGA-Kabel, DVI (12+5) ST – HD15 ST, 5,0m

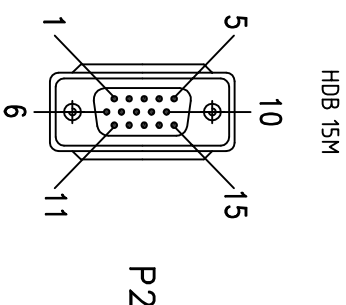
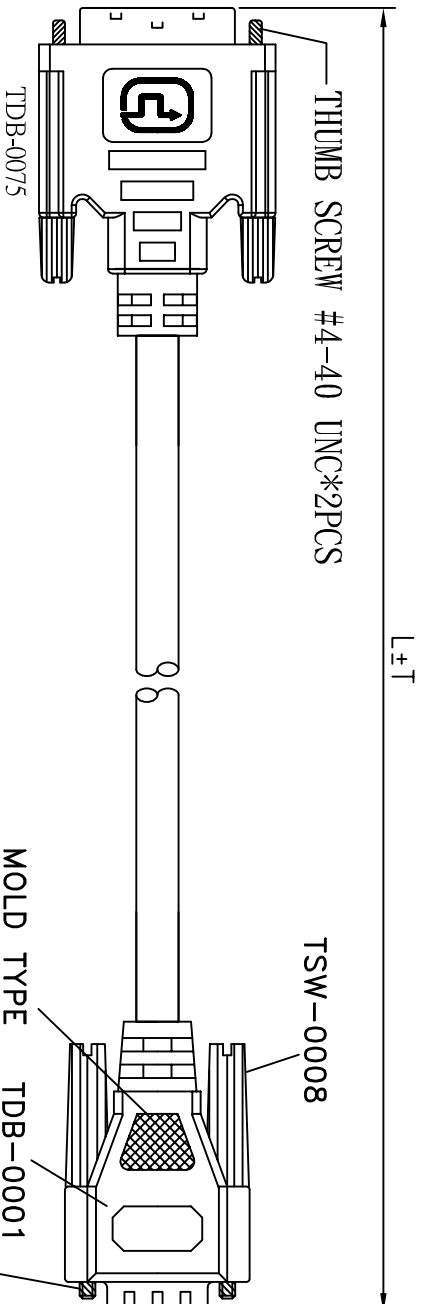
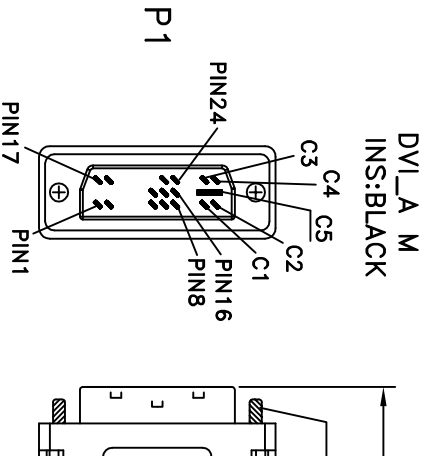
ROLINE Câble VGA DVI, DVI (12+5) M / HD15 M, 5,0m

ROLINE DVI Cable, DVI (12+5) M – HD15 M, 5 m

ROHS-COMPLIANT

LTR	REV.	DESCRIPTION	DATE
1*2	B	FOR # 081117-2 EDIT PACKING, ADD BARCODE LABEL	11/17/08'

DVI_A M
INS:BLACK



WIRE CONNECTION

P1	WIRE COLOR	P2
6	—	15
7	—	12
8	—	14
14, 16	—	9
15	—	5, 10
C1	—	1
C5	—	6
C2	—	2
C5	—	7
C3	—	3
C5	—	8
C4	—	13
SHELL	DRAIN WIRE	SHELL

REMARK:

1. CABLE: 30AWG(7/0.102)COAXIALX3C+28AWG(7/0.127)x5C+28AWG(7/0.127)x1PAIR+AL/MYLAR) PVC JACKET; COLOR:BLACK(NK-K01) OD:7.0±0.15mm UL 20276 APPROVED
2. CONNECTOR: P1: DVI_A MALE GOLD FLASH CONTACT NICKEL PLATED SHELL
P2: HDB 15P MALE GOLD FLASH CONTACT NICKEL PLATED SHELL
3. SHIELD: P1&P2 COPPER-FOIL 360° SOLDERED TO CONNECTOR SHELL & DRAIN WIRE
4. HOOD:
P1&P2: MOLDED TYPE, PVC 45P, COLOR:BLACK(NK-K01)
6. TEST REQUEST:
 - (1) 100% OPEN SHORT & MIS WIRE TEST
 - (2) CONTACT RESISTANCE 3 OHM MAX
 - (3) INSULATION RESISTANCE 10M OHM MIN
 - (4) HI-POT VOLTAGE 300V DC
7. PACKING: EACH PC / POLYBAG + HEADER CARD(ROLINE, SIZE:205×84mm) + BAR CODE LABEL.



200-0832-3	11.04.5450	5000	50	10	7611990142040
200-0832-2	11.04.5430	3000	30	20	7611990133178
200-0832-1	11.04.5420	2000	30	25	7611990133161
DWG	P/N	L(mm)	T(mm)	PCS/CTN	BAR CODE

Tolerance	Inch	M/M
X	.015	.30
XX	.010	.10
.XXX	.005	.05

Drawn
PANNIE 11/17/08'

Rotronic Co., Ltd.
Title
DVI_A - VGA CABLE
Customer P/N

App'd	Customer	T-RAG
Scale	NONE	Units
Dwg No.	200-0832	REV.: B
Sheet	1/1	