

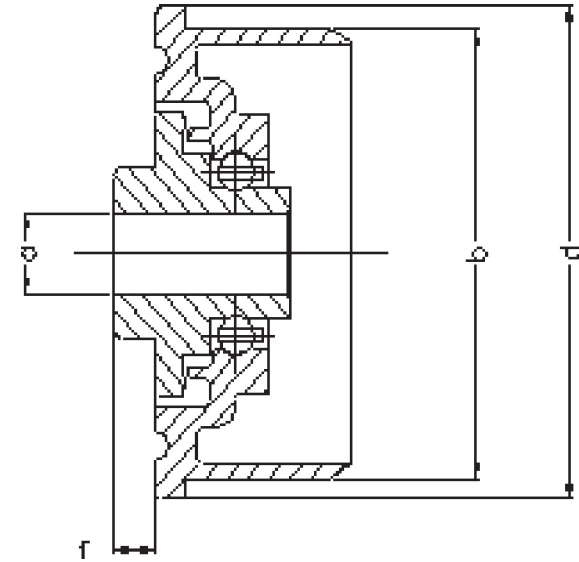
Standard Product Programme



Conveyor Bearings - End Caps

Reference	a	b	d	f	Load Capacity kg
AF46169C/2N/D	4.6	16.9	20	2.1	12
AF81222C/2N/D	8.1	22.2	25	2.1	14
AC82266C/2Y/D	8.2	26.6	30	3	14
AC102351C/2R/D	10.2	35.1	40	5.5	16
ACH111381C/2R/D	11.1*	38.1	39.7	2.6	22
ACH111409C/2A/D	11.1*	40.9	48	3	18
ACH111411C/2V/D	11.1*	41.1	48	3	22
AC103424C/2R/D	10.3	42.4	47.5	5	18
AC102447C/2A/D	10.2	44.7	49	5	18
AC106479C/2R/D	10.4	47.9	50	3.2	22
AF10MDC47/2N/D	10.2	47.7	50	3.5	60
AF10MDC53/2N/D	10.2	53	56	3.94	60

*hexagonal bore 11.1mm across flats



Conveyor Bearings - Sealed End Caps*

Reference	a	b	c	Load Capacity kg
D5005	47.6	42.4	6.6	25
D5011	50	42.4	6.6	25
D5046	50	42.5	6.6	25
D5006	50	45	6.6	25

*Patent No. 056627

