

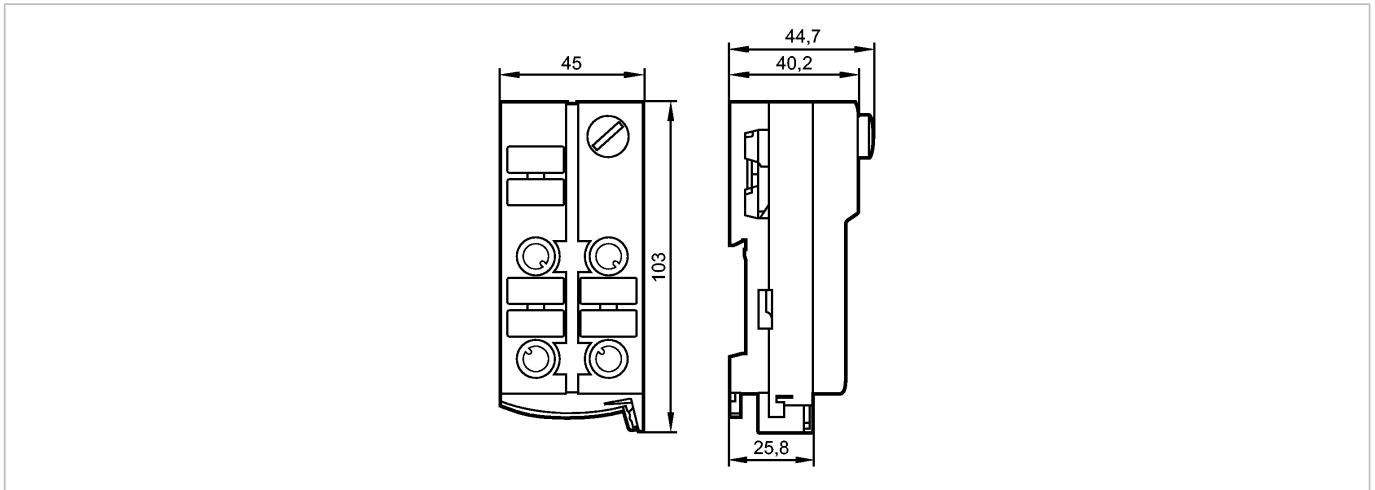


AC5211

ClassicLine 2DI 2DO-Y IP67



Bus system AS-Interface



Made in Germany

Product characteristics

Active ClassicLine module

AS-i flat cable connection

Sockets M12 x 1

Addressing socket

Three orientations of the flat cable are possible

Digital inputs and outputs (2 A)

Electrical data

Electrical design		2 inputs / 2 outputs
Operating voltage [V]		26.5...31.6 DC; "supply class 2" to cULus.
Total current consumption from AS-i [mA]		< 150
Max. current load per module [mA]		4000

Inputs

Digital Circuit		DC PNP
Sensor supply		AS-i
Voltage range [V]		18...30 DC **)
Max. current load for all inputs total [mA]		100
Input current High/Low [mA]		6...10 / 0...2
Switching level High signal 1 [V]		> 11
Short-circuit proof		yes

Outputs

Digital Output function		transistor PNP
Voltage range [V]		24 DC (15...30 DC) **)
External voltage supply		according to PELV
Max. current load per output [mA]		2000 *)
Electrically separated		yes
Integrated watchdog		yes
Short-circuit proof		yes

Environment



AC5211

ClassicLine 2DI 2DO-Y IP67

Bus system AS-Interface

Ambient temperature	[°C]	-25...70
Protection		IP 67

Tests / approvals

EMC		EN 50295 IEC 61000-6-2
MTTF	[Years]	188

AS-i classification

AS-i version		2.11 + 3.0
Extended addressing mode possible		no
AS-i profile		S-3.0.E
I/O configuration [hex]		3
ID code [Hex]		0.E
AS-i certificate		in preparation

Data bits	Data bit	D0	D1	D2	D3
	Input	1	2	-	-
	Socket	I-1	I-2	-	-
	Pin	2+4	2+4	-	-
	Output	-	-	3	4
	Socket	-	-	O-3/4	O-3/4 O-4
	Pin	-	-	4	2 4

Mechanical data

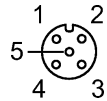
Housing materials		PA; Piercing contacts: CuSn6 surface nickel and tin-plated
Weight	[kg]	0.193

Displays / operating elements

Operation	LED	green
Error	LED	Red
Function display	LED	yellow

Electrical connection

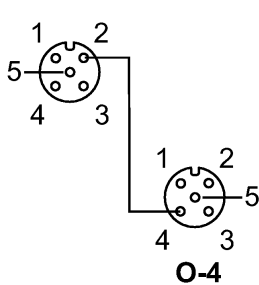
Wiring



Inputs

- 1: Sensor supply L+
- 2+4: Data input (internally linked)
- 3: Sensor supply L-
- 5: not used

O-3/4



Outputs

- 1: not used
- 2: Switching output 4
- 3: External voltage AUX
- 4: Switching output 3
- 5: not used

Socket O-3

- 1: not used
- 2: not used
- 3: External voltage AUX
- 4: Switching output 4
- 5: not used

Accessories

Accessories (included)		lower part
Accessories (optional)		M12 protective cap (E73004)

Remarks



AC5211

ClassicLine 2DI 2DO-Y IP67



Bus system AS-Interface

Remarks

Inputs and outputs must be electrically isolated.
Do not connect any of the points I-, I+, I1, I2 to an external potential since they are electrically connected to the AS-i cable.
*) Utilisation category (DC13): The making and breaking capability for triggering solenoids is rated up to 40 W (to IEC 60947-5-1)
**) via flat cable

Pack quantity

[piece]

1