

Mod. G7550 - Fittings Series 7000 - Automation

Product code: G7550 10

Datasheet creation date: 12/12/2025 08:33

Check the most updated document online [click here](#)

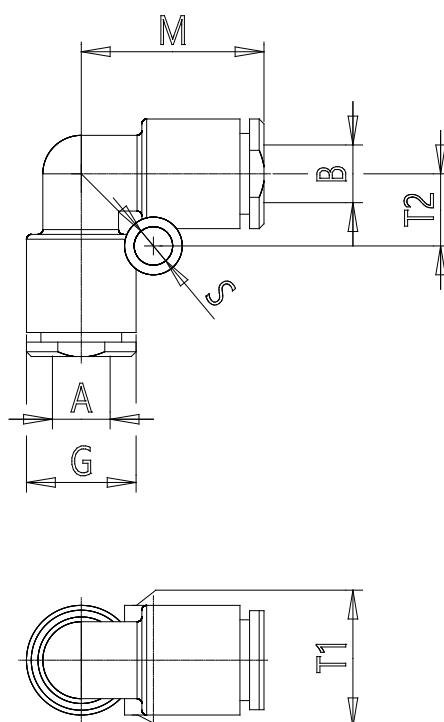


■ TECHNICAL DATA

Mod.	G7550 10
------	----------

Mod. G7550 - Fittings Series 7000 - Automation

Product code: G7550 10



DIMENSIONS

A (mm)	10
B (mm)	10
GD (mm)	16.3
M (mm)	25.0
S (mm)	4
T1 (mm)	16.3
T2 (mm)	8.0
Weight (g)	12