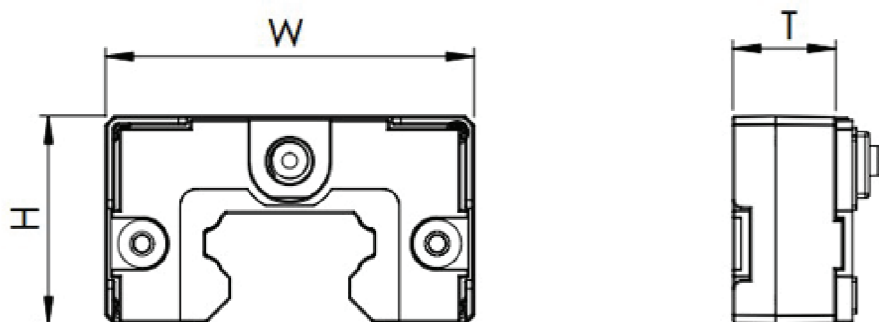
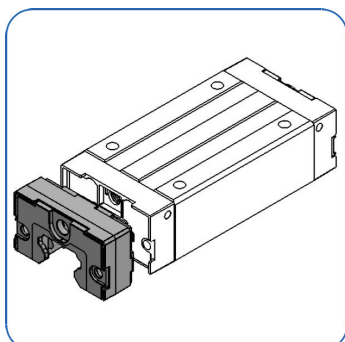


## LLTHZ 15 S6

### Lubrication Reservoir



H[mm]:	18.4
W[mm]:	31.8
T[mm]:	10.1

Date: 19/02/2019

© SKF is a registered trademark of the SKF Group.  
© SKF 2010

The contents of this report are the copyright of the publisher and may not be reproduced (even extracts) unless permission is granted. Every care has been taken to ensure the accuracy of the information contained in this report but no liability can be accepted for any loss or damage whether direct, indirect or consequential arising out of the use of the information contained herein.