



Brand of NTN corporation

## Technical data

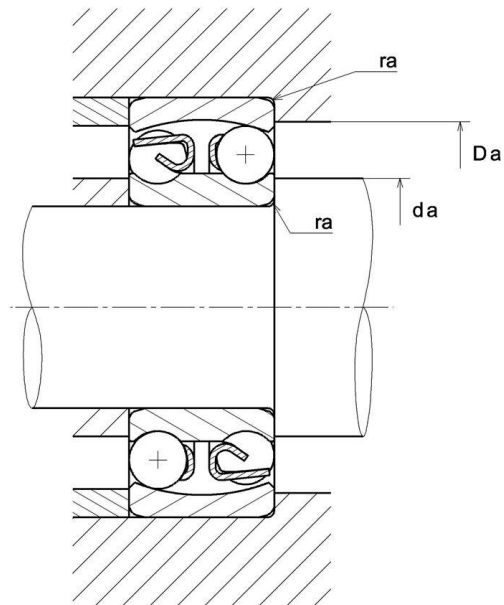
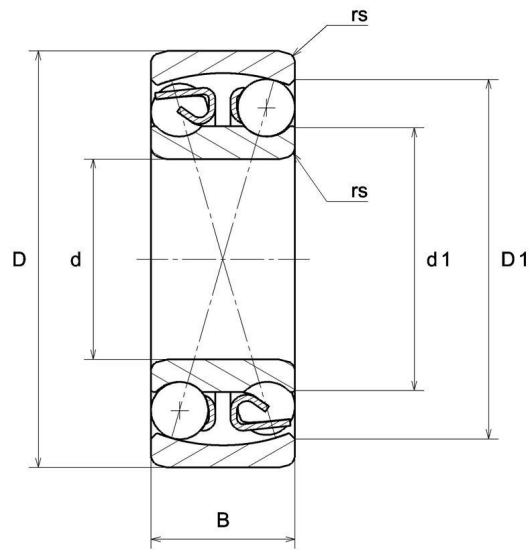
# 1207

Double-row self-aligning ball bearings



Self-aligning ball bearing, pressed steel cage, open

### VISUAL (S)



**NTN Europe**

1 rue des Usines · BP 2017 · 74010 Annecy Cedex · France · Tel. +33 (0)4 50 65 30 00  
S.A. au capital de 322 639 919 € · RCS ANNECY B 325 821 072 · Id. Fiscale : FR 48 325 821 072  
SIRET 325 821 072 00015 · Code APE 2815 Z · Code NACE 28.15

## PRODUCT DEFINITION

<b>Brand</b>	SNR
<b>d - Internal diameter</b>	35 mm
<b>D - External diameter</b>	72 mm
<b>B - Bearing/Inner ring width</b>	17 mm
<b>d1 - External diameter inner ring</b>	47,7 mm
<b>D1 - Inner diameter outer ring</b>	59 mm
<b>rs - Min fillet radius</b>	1,1 mm
<b>Radial clearance class</b>	CN
<b>Precision class</b>	P0
<b>Mass</b>	0,322 kg

## PRODUCT PERFORMANCE

<b>C - Dynamic load</b>	15600000 mN
<b>C0 - Static load</b>	5100000 mN
<b>Cu - Fatigue limit load</b>	230000 mN
<b>e - Coefficient</b>	0.23
<b>Y0 - Static axial load coefficient</b>	2.86
<b>Y1 - Lower axial load coefficient</b>	2.73
<b>Y2 - Upper axial load coefficient</b>	4.23
<b>N ref - Reference thermal speed</b>	57600 °/s
<b>N lim - Mechanical Limit Speed</b>	78000 °/s
<b>Tmin - Min operating temperature</b>	233,15 °K
<b>Tmax - Max operating temperature</b>	393,15 °K



## BEARING FREQUENCIES

<b>BPFO - Over rolling frequency on outer ring (60 rpm)</b>	6.813 Hz
<b>BPFI - Over rolling frequency on inner (60 rpm)</b>	9.187 Hz
<b>BSF - Over rolling frequency on rolling element (60 rpm)</b>	6.515 Hz
<b>BRF - Rotational frequency - rolling element (60 rpm)</b>	3.258 Hz
<b>FTF - Rotational frequency - cage (60 rpm)</b>	0.426 Hz

## ABUTMENT

<b>da min - Min shoulder diameter IR</b>	41,5 mm
<b>Da max - Max shoulder diameter OR</b>	65,5 mm
<b>ra max - Max shaft &amp; housing fillet radius</b>	1 mm

