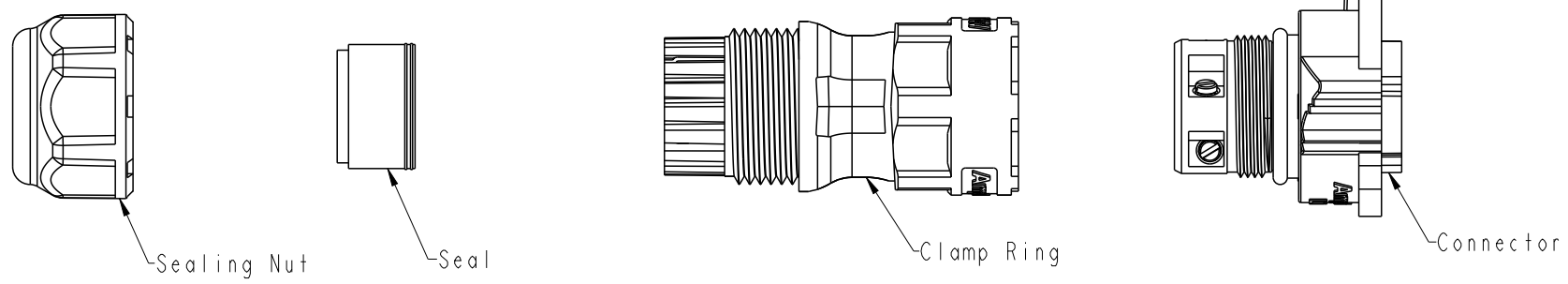


THIS DOCUMENT IS SUBJECT TO CHANGE WITHOUT NOTICE. IT IS CONFIDENTIAL AND A PROPERTY OF Amphenol LTW. DISCLOSURE TO THIRD PARTY HAS TO BE AUTHORIZED BY Amphenol LTW.

REV.	ECN NO.	DATE	SIGN	DESCRIPTION
B	LE31850003-5	2018/03/12	Mafei	Adding Seal
C	C180527	2018/11/28	Mafei	Adding 4 Pin Drawing.
D	C191385	2019/08/02	Siou	Revise Rated Voltage.



Material Specification:

- * Connector: Thermoplastic
- * Terminal: Copper Alloy, Silver Plated.
- * Gasket & O-Ring: Rubber.
- * UL Rated: UL 94V-0, fl.
- * RoHS Compliant.

Electrical Specification:

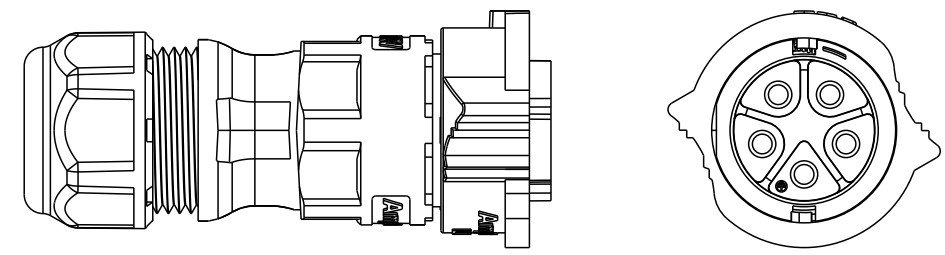
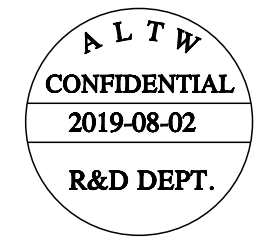
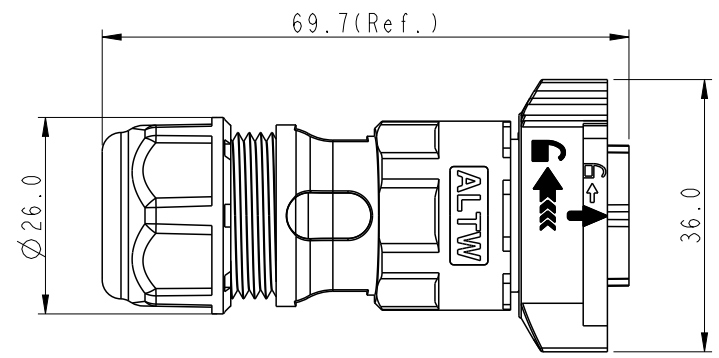
- * Contact Resistance: 10mΩ Max.
- * Insulation Resistance: 100MΩ Min.
- * Dielectric Withstand Voltage: 1,600 Vac.

Mechanical Specification:

- * Durability: 1000 Cycles.
- * Tensile strength: 10 kgf.
- * Wire conductor: 14#~12#(2.0mm²~3.3mm²).
- * Wire insulation OD: Max 4.0mm.
- * Torque Force for Clamp Ring: 6~8 kgf-cm
- * Torque Force for Seal Nut: 8~15 kgf-cm
- * Torque Force for Screw: 4~5 kgf-cm

Environmental Specification:

- * Waterproof Rating: IP68(Mated, 1M/24 Hours)
- * Temperature Range: -40°C to 105°C.
- * Salt Spray: Mated, 500 Hours.



UNIT:mm		TITLE	X-Lok D-Size Field Installable Cable Screw-In Type F Conn F Pin	
TOLERANCE	±0.5 mm	SCALE	8:5	SIZE A4
		REV.	D	WC-REV. A.3
				QC: Inspection item
		SHEET	1	OF 2

Amphenol LTW
安費諾亮泰企業股份有限公司

ITEM NO	DRAWN BY	DATE
	Siou	2019-08-02
DWG NO	CHECKED BY	DATE
DC-XXBFFB-QL8XPP	Eagle	2019-08-02
CUSTOMER	APPROVED BY	DATE
ALTW	Neo	2019-08-02

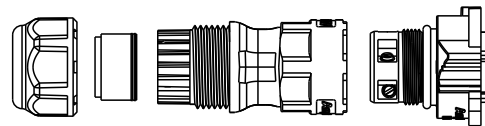
Ordering Information:

DC-XXBFFB-QL8XPP

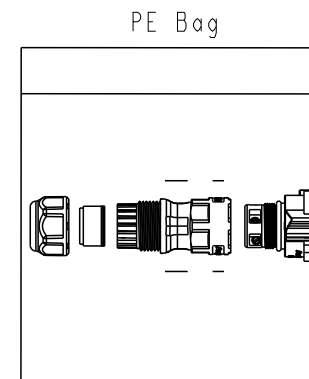
Number of Contacts

- 02
- 03
- 04
- 05

S: With Red Color Seal 1, Cable OD 8.0~10.0mm.
 M: With Yellow Color Seal 2, Cable OD 10.0~12.0mm.
 L: With Blue Color Seal 3, Cable OD 12.0~14.0mm.
 A: With Seal 1 & Seal 2 & Seal 3.

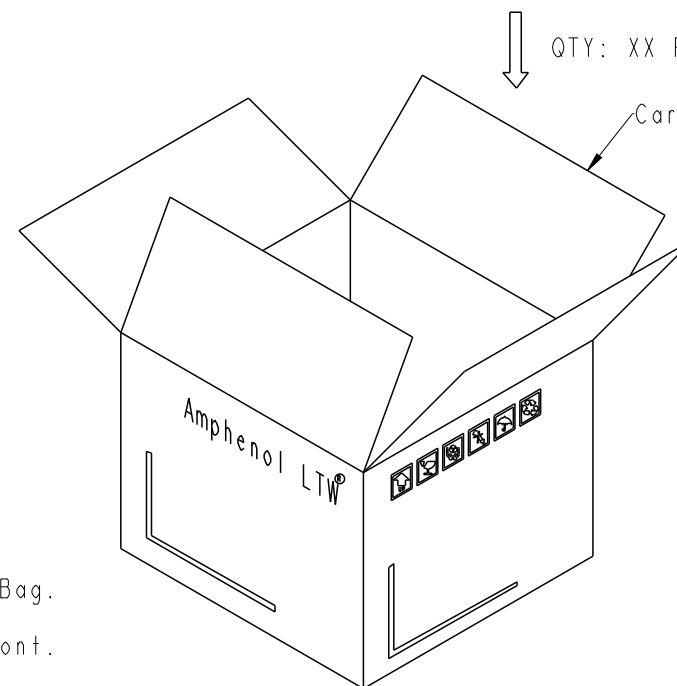


QTY: 1 Pcs

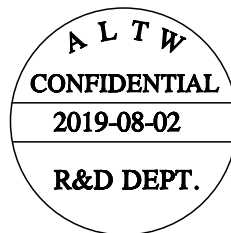


QTY: XX Pcs

Carton



	20A ; 600Vac/Vdc 5 Contacts(05)
	20A ; 600Vac/Vdc 4 Contacts(04)
	20A ; 600Vac/Vdc 3 Contacts(03)
	20A ; 600Vac/Vdc 2 Contacts(02)



Note:

- * One Set Unassembled In One PE Bag.
(每一組未組裝，放置於一個PE袋，並封口，如圖示)
- * Label is Attached To PE Bag Front.
(標籤貼在PE袋正面)

UNIT:mm TOLERANCE ±0.5 mm	TITLE X-Lok D-Size Field Installable Cable Screw-In Type F Conn F Pin		Amphenol LTW 安費諾亮泰企業股份有限公司		ITEM NO	DRAWN BY Siou	DATE 2019-08-02
	SCALE 8:5	SIZE A4			SHEET 2 OF 2	DWG NO DC-XXBFFB-QL8XPP	CHECKED BY Eagle
	REV. D	WC-REV. A.3	QC: Inspection item	CUSTOMER ALTW	APPROVED BY Neo	DATE 2019-08-02	