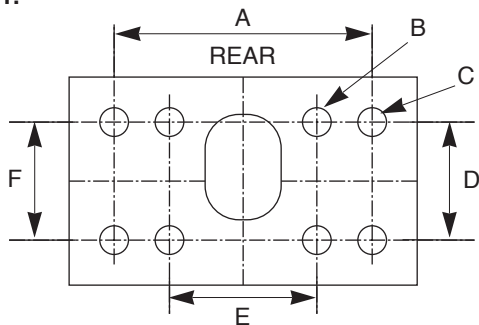




# Loading Bay Light

Stock No. 743-993

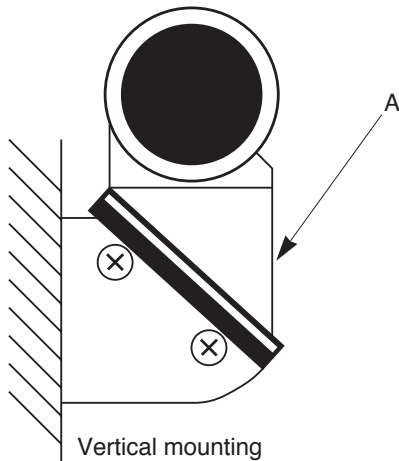
Figure 1.



Universal base fixing holes

- A. 63.50mm CRS
- B. 4 holes 7.14mm dia.
- C. 4 holes 5.75mm dia.
- D. 34.93mm CRS
- E. 35.72mm CRS
- F. 31.75mm CRS

Figure 2.



Vertical mounting

A. Keep swivel joint in horizontal position

## General

This halogen luminaire, ideal for use in loading bay environments, is supplied with a universal fixing base which can be mounted horizontally or vertically. When mounting ensure that the swivel joint is in a horizontal plane. A suitable bench clamp is available (RS stock no. 744-003).

## Lamp Fitting

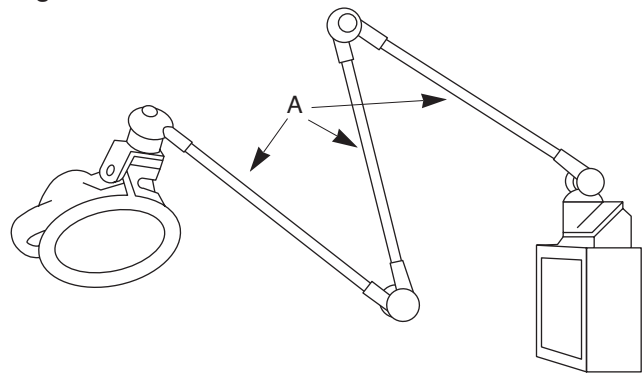
The luminaire is supplied complete with a 55watt 12V lamp already fitted.

To fit a replacement lamp, undo the three retaining screws on the face of the lens and engage the halogen lamp. Refit the lens. Ensure a 12V lamp is used. Suitable replacement lamps are available (RS stock no. 579-130).

## Electrical connections

A terminal block is provided in the base. This should be connected to a 12V supply via the entry holes in the base.

Figure 3.



A. Arms 3 x 400mm length

## Base sealing

A base gasket is supplied with four M5 self-tapping screws. Position the gasket between the underside of the base and the mounting surface. Fix the base down using the mounting screws, either by self tapping into plain 4.6mm diameter holes or directly into M5 threaded holes.

## Conduit connections

20mm diameter holes are provided in the back and bottom of the base for conduit entry. Use the plastic plugs to blank off any hole not used. Dimples in the centre of each side of the base can be used to cut 20mm holes for side-mounting conduit.

This product is approved to EN 60598.