

3640ITP200P63 Flat

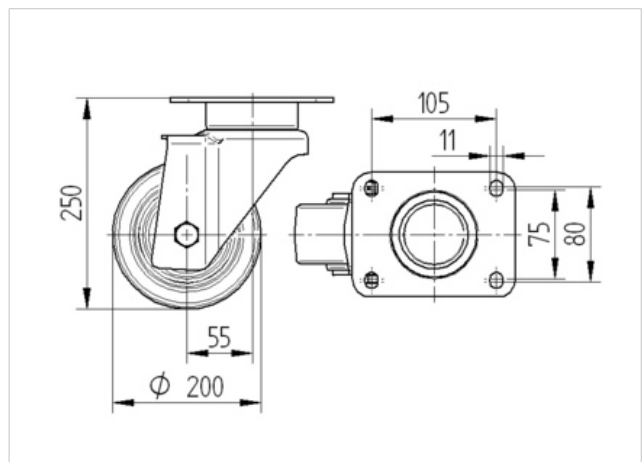
EAN 4031582337372

Swivel castor, housing made of heavy pressed steel, bright zinc plated, blue passivated, precision ball bearing swivel head, sealed, wheel axle with nut, plate fitting.

Wheel centre made of Aluminium, Tread: Polyurethane, casted, precision ball bearing



| Technical Data | |
|------------------------|----------------|
| Wheel diameter | 200 mm |
| Width of Tread | 50 mm |
| Size of Plate | 137 x 105 mm |
| Plate hole centres | 105 x 80/75 mm |
| Plate hole | 11 mm |
| Offset | 55 mm |
| Swivel Interference | 310 mm |
| Overall height | 250 mm |
| Temperature | - 20 / + 60 °C |
| Standard | EN 12532 |
| Weight | 3.648 kg |
| Swivel Radius | 155 mm |
| Hardness of tread | A 92 Shore |
| Load capacity | 600 kg |
| Load capacity (static) | 1200 kg |



| | | | | | |
|----------------------|---|---|---|---|---|
| Roll performance | + | + | + | + | + |
| Movement noise | + | + | + | + | + |
| Attrition | + | + | + | + | + |
| Corrosion resistance | + | + | + | + | + |



3640ITP200P63 Flat

EAN 4031582337372

