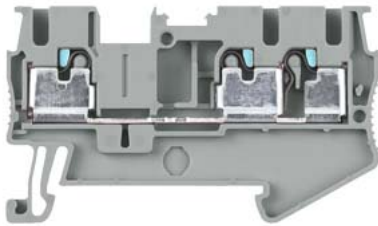


Terminal, iPo plug-in terminal, through-type terminal, 2.5 mm², gray



Model	
product brand name	SETRON
product designation	Terminal blocks
design of the product	iPo through-type terminal
product variations	through-type terminal, for mounting on mounting rail acc. to IEC 60715
design of terminal terminal levels internally linked	No
operating voltage rated value	800 V
Protection class	
combustibility class according to UL 94	V0
Main circuit	
operational current rated value	24 A
Appearance	
color	grey
Product details	
product component required end cover plate	Yes
Number	
number of terminal levels	1
number of terminal points per terminal level	3
Connections	
connectable conductor cross-section solid	
• minimum	0.14 mm ²
• maximum	4 mm ²
connectable conductor cross-section stranded	
• minimum	1.5 mm ²
• maximum	0.14 mm ²
connectable conductor cross-section finely stranded	
• with core end processing minimum	0.14 mm ²
• with core end processing maximum	2.5 mm ²
• without core end processing minimum	0.14 mm ²
• without core end processing maximum	4 mm ²
type of connection 1	plug terminal connection
type of connection 2	plug terminal connection
position of the terminal	top
Mechanical Design	
height	60.4 mm
height with lowest-profile installation	38.5 mm
depth	35.25 mm
length	61 mm
fastening method	TH35 DIN rail
net weight	8 g

material of the insulating body	Other
Environmental conditions	
ambient temperature during operation	
• minimum	-60 °C
• maximum	105 °C

Approvals Certificates

General Product Approval	Declaration of Conformity
---------------------------------	----------------------------------



[Confirmation](#)



other	Environment
--------------	--------------------

[Miscellaneous](#)

[Confirmation](#)

[Environmental Confirmations](#)

Further information

Siemens has decided to exit the Russian market (see here).
<https://press.siemens.com/global/en/pressrelease/siemens-wind-down-russian-business>

Siemens is working on the renewal of the current EAC certificates.
 Please contact your local Siemens office on the status of validity of the EAC certification if you intend to import or offer to supply these products to an EAC relevant market (other than the sanctioned EAEU member states Russia or Belarus).

Information on the packaging
<https://support.industry.siemens.com/cs/ww/en/view/109813875>

Information- and Downloadcenter (Catalogs, Brochures,...)
<http://www.siemens.com/lowvoltage/catalogs>

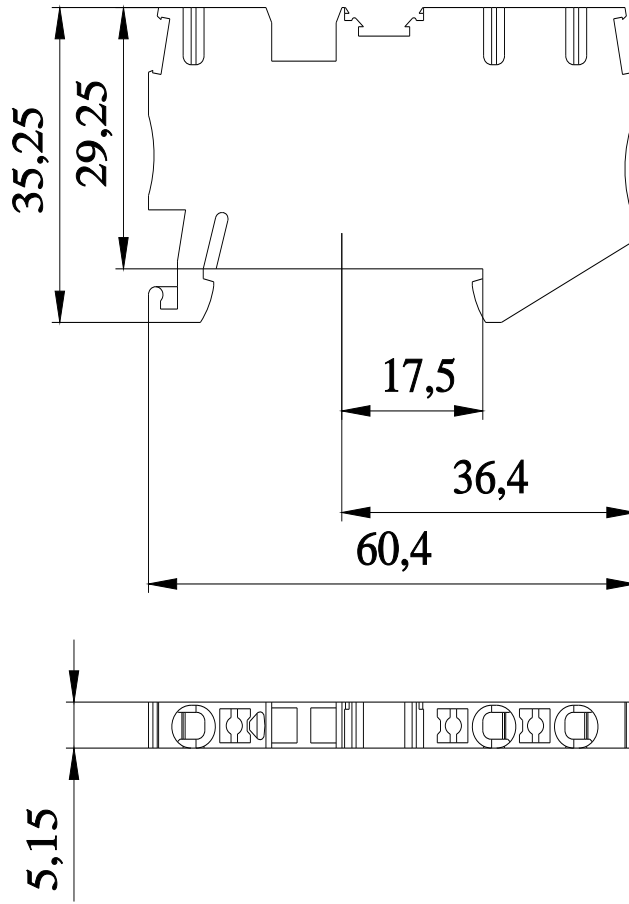
Industry Mall (Online ordering system)
<https://mall.industry.siemens.com/mall/en/en/Catalog/product?mlfb=8WH6003-0AF00>

Service&Support (Manuals, Certificates, Characteristics, FAQs,...)
<https://support.industry.siemens.com/cs/ww/en/ps/8WH6003-0AF00>

Image database (product images, 2D dimension drawings, 3D models, device circuit diagrams, ...)
http://www.automation.siemens.com/bilddb/cax_en.aspx?mlfb=8WH6003-0AF00

CAX-Online-Generator
<http://www.siemens.com/cax>

Tender specifications
<http://www.siemens.com/specifications>



last modified:

7/19/2023 

